

Valid from 1 October 2022



SPARE PARTS 2023/24

A member of **SFS**

GESIPA[®]


TABLE OF CONTENTS

BLIND RIVET HAND TOOLS

NTX and NTX-F (with self opening spring)	263
Flipper®	264
Flipper® Plus	265
HN 2 / HN 2-BT (only for Bulb-tite®)	266
SN 2	267
AccuBird®	268
PowerBird® - tool no longer available	270
Birdie®	272
AccuBird® Pro - until April 2021	274
AccuBird® Pro with new CAS technology - from may 2021	276
PowerBird® Pro - tool no longer available	278
PowerBird® Pro Gold Edition - until April 2021	280
PowerBird® Pro Gold Edition with new CAS technology - from may 2021	282
iBird® Pro - until April 2021	284
iBird® Pro with new CAS technology - from may 2021	286
AccuBird® Pro with AV with new CAS technology - from may 2021	288
PowerBird® Pro with AV with new CAS technology - from may 2021	290
Bird Pro series with spring loaded trigger system - until April 2021	292
Bird series with spring loaded trigger system	293
AccuBird® and PowerBird® angle head 90° compact	294
AccuBird® Pro and PowerBird® Pro angle head 90°	295

ACCESSORIES FOR BATTERY POWERED BLIND RIVET SETTING TOOLS

One-piece extension units	296
Multi-piece extension units	299

HYDRO-PNEUMATIC BLIND RIVET SETTING TOOLS

TAURUS® 1-4	300
TAURUS® 5-6	302
TAURUS® 1-4 AV	304

ACCESSORIES FOR HYDRO-PNEUMATIC BLIND RIVET SETTING TOOLS

Repair tools	306
Changeover set spent mandrel container	306
Rivet counter sensor changeover set for TAURUS® 1 - 4	306
One-piece extension units	307
Multi-piece extension units	309
Heads for TAURUS® 5-6	309
Angle heads for TAURUS® blind rivet setting tools	310

HYDRO-PNEUMATIC BLIND RIVET SETTING TOOLS

TAUREX 1-4	312
TAUREX 5-6	314
TAURUS® 1-4 Axial eco	316
TAURUS® 1-4 Axial	318
TAUREX 1-4 Axial	320
Spring loaded trigger system for Taurus® 1-4 Axial eco	322
Spring loaded trigger system for Taurus® 1-4 Axial	323
Taurus® 1 Speed Rivet / Taurus® 2 Speed Rivet	324
Taurus® 1 Speed Rivet Axial eco/ Taurus® 2 Speed Rivet Axial eco	326
PH 1 and PH 2	328
PH Axial	329

SPECIAL ACCESSORIES FOR HYDRO-PNEUMATIC BLIND RIVET SETTING TOOLS

VAS for PH 1 and PH 2	330
Angle head for PH 1 and PH 2	330
Small jaw assembly for PH 1 and PH 2	331
Small jaw assembly for PH 2000	331
Small jaw assembly for TAURUS® 1-2	332
Small jaw assembly for PH-Axial	332
Spent mandrel container PH-Axial	332
PH1/PH2 extension unit 100 mm	333
PH 2000 extension unit 100 mm	333

TABLE OF CONTENTS

BLIND RIVET HAND NUT SETTING TOOLS

GBM 5	338
GBM 10	339
GBM 40-R.....	340
GBM 50	341
FireFly	342
Flipper® Plus	343

BATTERY POWERED BLIND RIVET NUT SETTING TOOLS

FireBird®	344
FireBird® Pro and FireBird® Pro Gold Edition - until april 2021	346
FireBird® Pro with new CAS technology - from may 2021	348
FireBird® Pro Gold Edition with new CAS technology - from may 2021	350
FireBird® Pro S Gold Edition - until april 2021	352
FireBird® Pro S Gold Edition with new CAS technology - from may 2021	354

HYDRO-PNEUMATIC BLIND RIVET NUT SETTING TOOLS

FireFox® 1	356
FireFox® 1 F	358
FireFox® 2	360
FireFox® 2 F	362
FireFox® 2 F L	364
FireFox® 1 F Axial eco	366
FireFox® 2 F Axial eco	368
Repair tools for FireFox® 1 F, 2, 2 F	370

SPARE PART KITS	371
------------------------------	-----

LEGEND



Description

No.

Article no.



Position



Tool type



Mandrel diameter

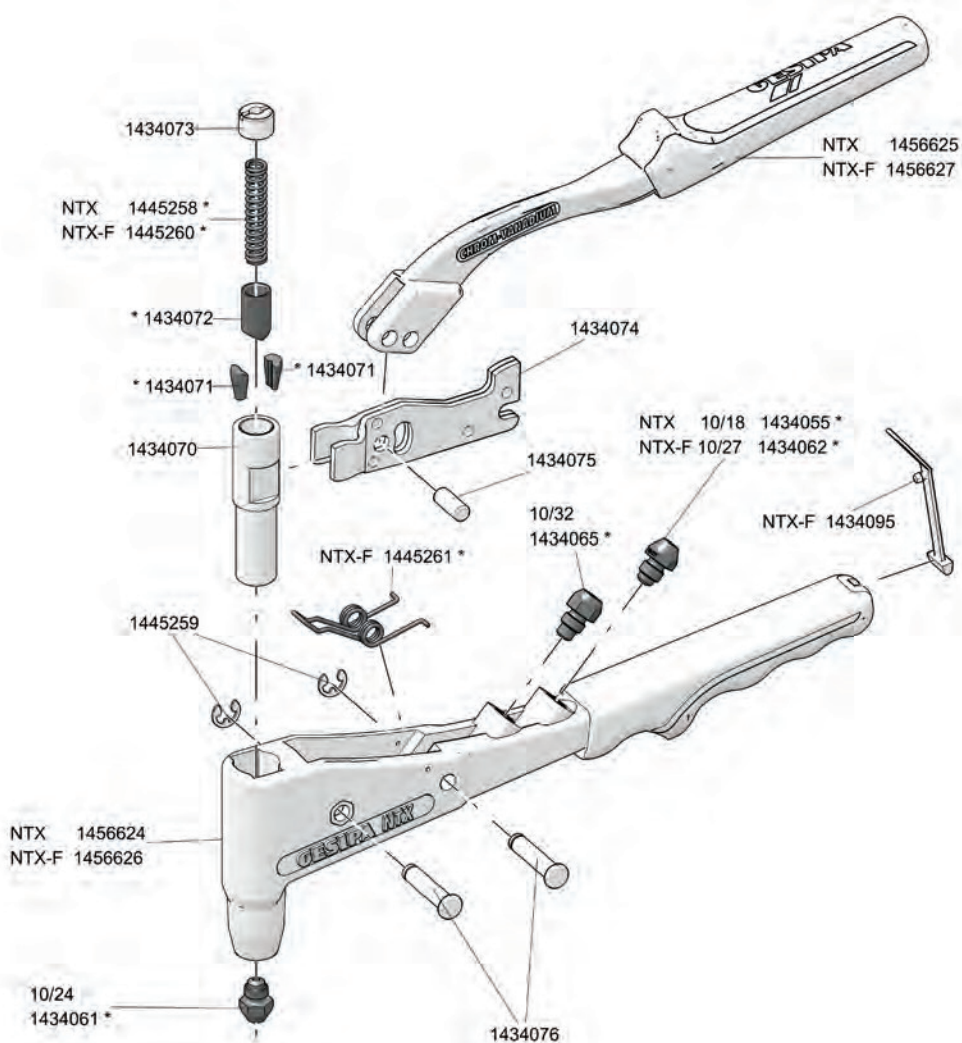
BLIND RIVET HAND TOOLS

NTX and NTX-F (with self opening spring)

No.		
143 4055*	NTX	Nosepiece 10/18
143 4061*		Nosepiece 10/24
143 4062*	NTX-F	Nosepiece 10/27
143 4065*		Nosepiece 10/32
143 4070		Jaw housing
143 4071*		Jaws (2-part)
143 4072*		Jaw pusher
143 4073		Closure screw
143 4074		Lever
143 4075		Bolt
143 4076		Bolt
143 4095	NTX-F	Strap
143 4241		Hard jaws (2-part) for CAP® blind rivets
144 5258*	NTX	Compression spring
144 5259		Snap ring
144 5260*	NTX-F	Compression spring
144 5261*	NTX-F	Self opening spring
145 6624	NTX	Tool housing with sleeve grip
145 6625	NTX	Tool shanks with sleeve grip
145 6626	NTX-F	Tool housing with sleeve grip
145 6627	NTX-F	Tool shanks with sleeve grip

 You will find detailed nosepiece allocation tables from page 134.

* Wearing parts



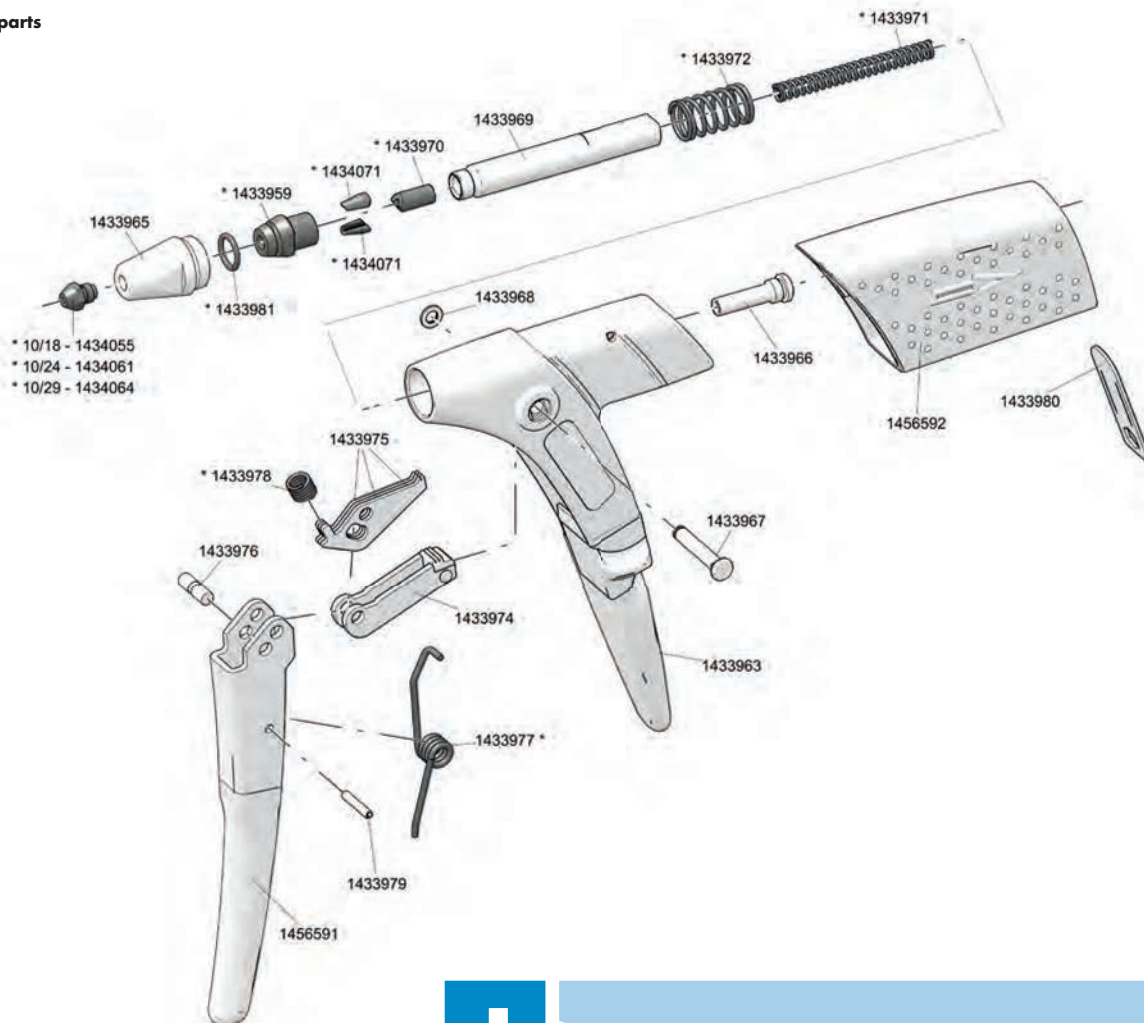
* Wearing parts

BLIND RIVET HAND TOOLS

Flipper®


No.	
143 3959*	Jaw housing
143 3963	Housing with slide block, lever and grip
143 3965	Head
143 3966	Closure screw
143 3967	Pivot bolt
143 3968	Snap ring
143 3969	Lock activator
143 3970*	Jaw pusher
143 3971*	Compression spring
143 3972*	Return spring
143 3974	Drive pawl
143 3975	Storage finger (3-part) per set
143 3976	Bolt
143 3977*	Self opening spring
143 3978*	Retaining spring
143 3979	Spring dowel sleeve
143 3980	Maintenance wrench SW 10
143 3981*	O-ring for jaw housing
143 4055*	Nosepiece
143 4061*	Nosepiece
143 4064*	Nosepiece
143 4071*	Jaws (2-part) per set
145 6591	Betätigungshebel mit Stulpgriff
145 6592	Operating lever with sleeve grip

* Wearing parts




* Wearing parts

Changeover set for plastic blind rivets


No.		
10/30 K*	143 4092	Nosepiece
10/35 K*	143 4093	Nosepiece
10/40 K*	143 4094	Nosepiece
17 K*	143 4086	Jaws (2-part) per set
18 K	143 3982	Jaw pusher
24 K	143 3983	Closure screw
	143 3984	Changeover set complete


* Wearing parts

 You will find detailed nosepiece allocation tables from page 134.

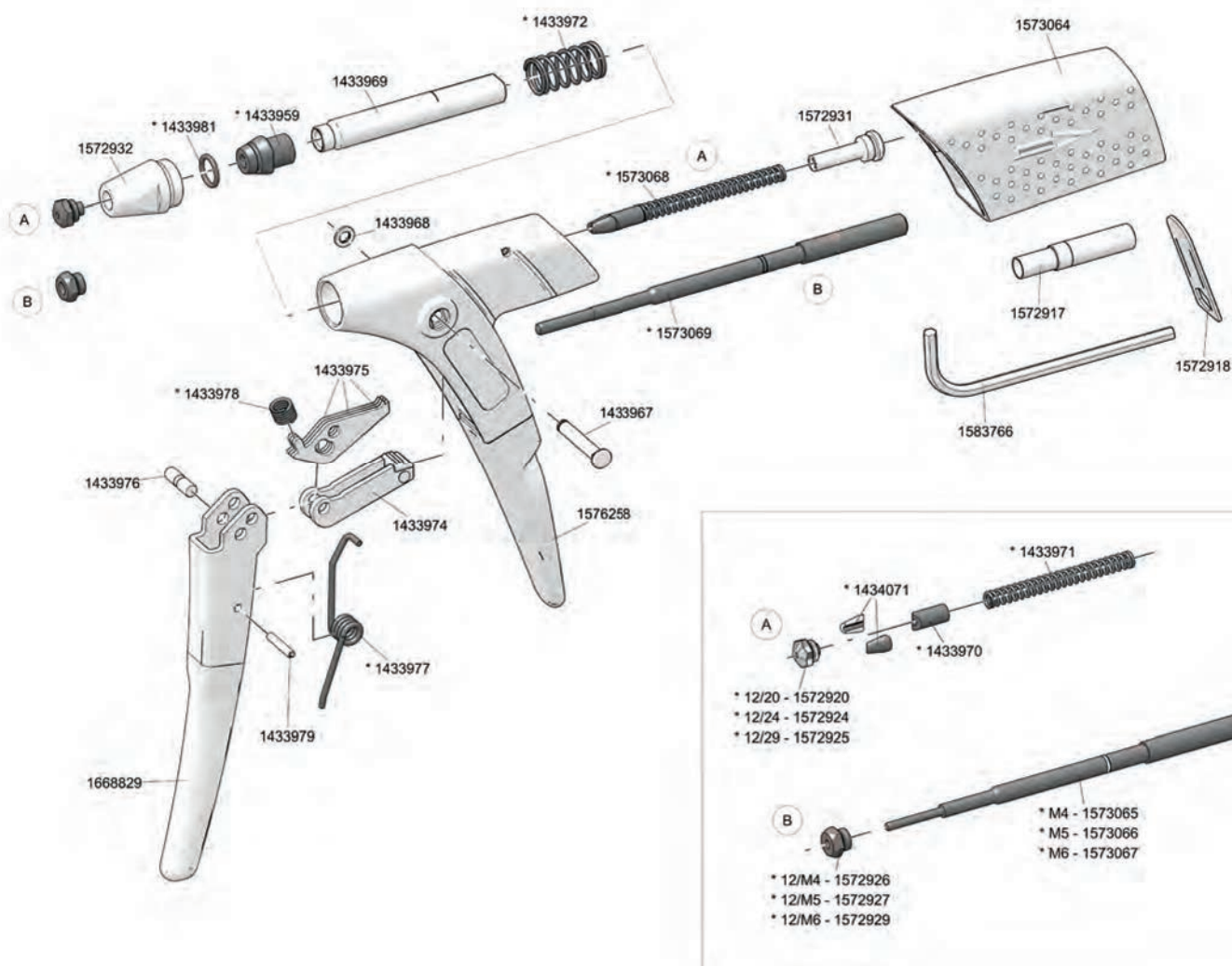
BLIND RIVET HAND TOOLS

Flipper® Plus

No.	
143 3959*	Jaw housing
143 3967	Pivot bolt
143 3968	Snap ring
143 3969	Lock activator
143 3970*	Jaw Pusher
143 3971*	Compression spring
143 3972*	Compression spring
143 3974	Drive pawl
143 3975	Storage finger (3-part) per set
143 3976	Bolt
143 3977*	Self opening spring
143 3978*	Retaining spring
143 3979	Spring dowel sleeve
143 3981*	O-ring
143 4071*	Jaws (2-part)
157 2917	Assembly aid
157 2918	Assembly key

No.	
157 2920*	Nosepiece 12/20
157 2924*	Nosepiece 12/24
157 2925*	Nosepiece 12/29
157 2926*	Nosepiece M4
157 2927*	Nosepiece M5
157 2929*	Nosepiece M6
157 2931	Closure screw
157 2932	Steel head sleeve
157 3064	Spent mandrel container
157 3065*	Draw bar M4
157 3066*	Draw bar M5
157 3067*	Draw bar M6
157 3068*	Jaw mechanism
157 3069*	Jaw mechanism
157 6258	Housing with slide block, lever and grip
158 3766	Hexagon key
166 8829	Actuating lever

* Wearing parts




You will find detailed nosepiece allocation tables from page 134.

* Wearing parts

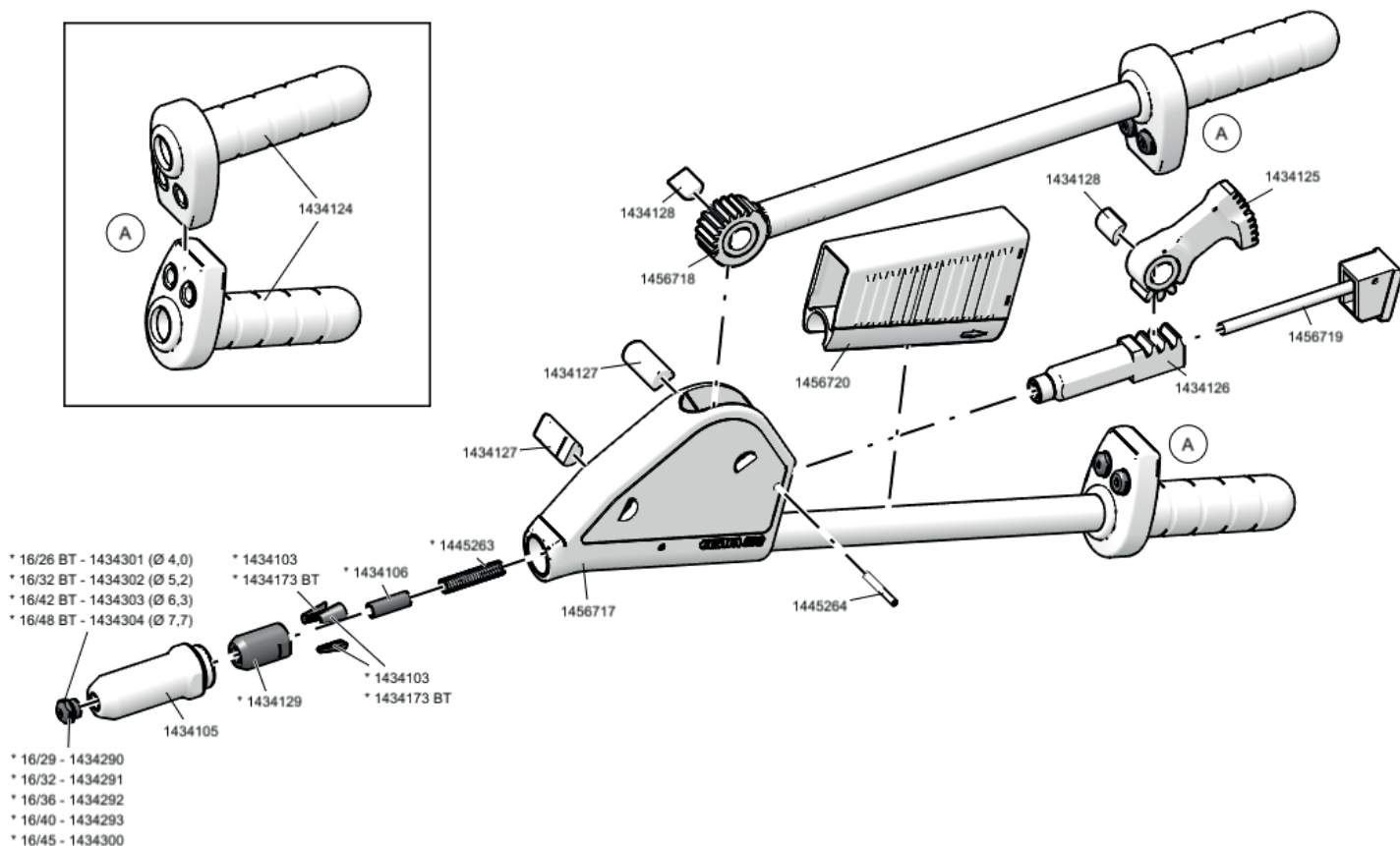
BLIND RIVET HAND TOOLS

HN 2 / HN 2-BT (only for BULB-TITE®)

No.	
143 4103*	Jaws (3-part) per set
143 4105	Head
143 4106	Jaw pusher
143 4124	Grip
143 4125	Transmission segment
143 4126	Gear rack
143 4127	Bolt
143 4128	Safety bolt
143 4129*	Jaw housing
143 4173*	Jaws BT
143 4290*	Nosepiece 16/29
143 4291*	Nosepiece 16/32
143 4292*	Nosepiece 16/36
143 4293*	Nosepiece 16/40
143 4300*	Nosepiece 16/45
143 4301*	Nosepiece for 4 mm Ø BULB-TITE® rivets
143 4302*	Nosepiece for 5.2 mm Ø BULB-TITE® rivets
143 4303*	Nosepiece for 6.3 mm Ø BULB-TITE® rivets
143 4304*	Nosepiece for 7.7 mm Ø BULB-TITE® rivets
144 5263*	Compression spring
144 5264	Cylinder pin
145 6717	Housing with, lever and grip
145 6718	Operating lever with pinion and grip
145 6719	End block with guide tube
145 6720	Spent mandrel container

 You will find detailed nosepiece allocation tables from page 134.



* Wearing parts




* Wearing parts

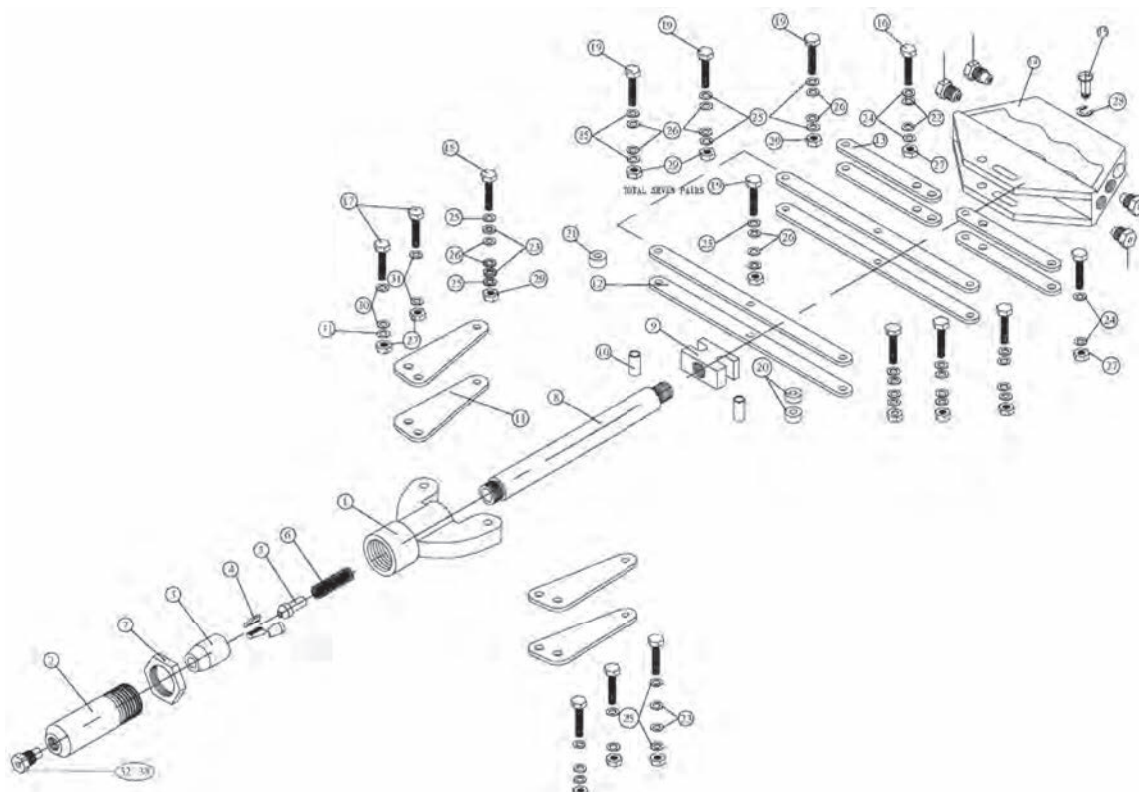
BLIND RIVET HAND TOOLS

SN 2

	No.	
1	145 6687	Housing
2	145 6688	Head
3	145 6689	Jaw housing
4 *	143 4958	Jaws (3-part)
5 *	145 6690	Jaw pusher
6 *	145 6691	Compression spring
7	145 6692	Locking nut
8	145 6693	Lock activator
10	145 6694	Sleeve, long
11	145 6695	Arm
12	145 6696	Lazy tongue segment, long
13	145 6697	Lazy tongue segment, short
14	145 6698	Grip
15	145 6699	Bolt
16	145 6700	Screw M6 x 37
17	145 6701	Screw M6 x 29
18	145 6702	Screw M5 x 29
19	145 6703	Screw M5 x 20.5
20	145 6704	Outer sleeve
21	145 6705	Inner sleeve
22	145 6706	Washer 6 x 1.8
23	145 6707	Washer 5 x 1.8
24	145 6708	Washer 6 x 12 x 1.0
25	145 6709	Washer 5 x 0.9
26	145 6710	Washer 5 x 0.5
27	144 5262	Nut M6
28	145 0574	Snap ring
29	145 6711	Nut M5
30	145 6712	Washer 6 x 9 x 0.7
31	145 6713	Washer 6 x 0.5
32 *	143 4955	Nosepiece 17/24
33 *	143 4973	Nosepiece 17/27
34 *	143 4974	Nosepiece 17/29
35 *	143 4975	Nosepiece 17/32
36 *	143 4977	Nosepiece 17/36
37 *	143 4999	Nosepiece 17/40
38 *	143 4860	Nosepiece 17/45

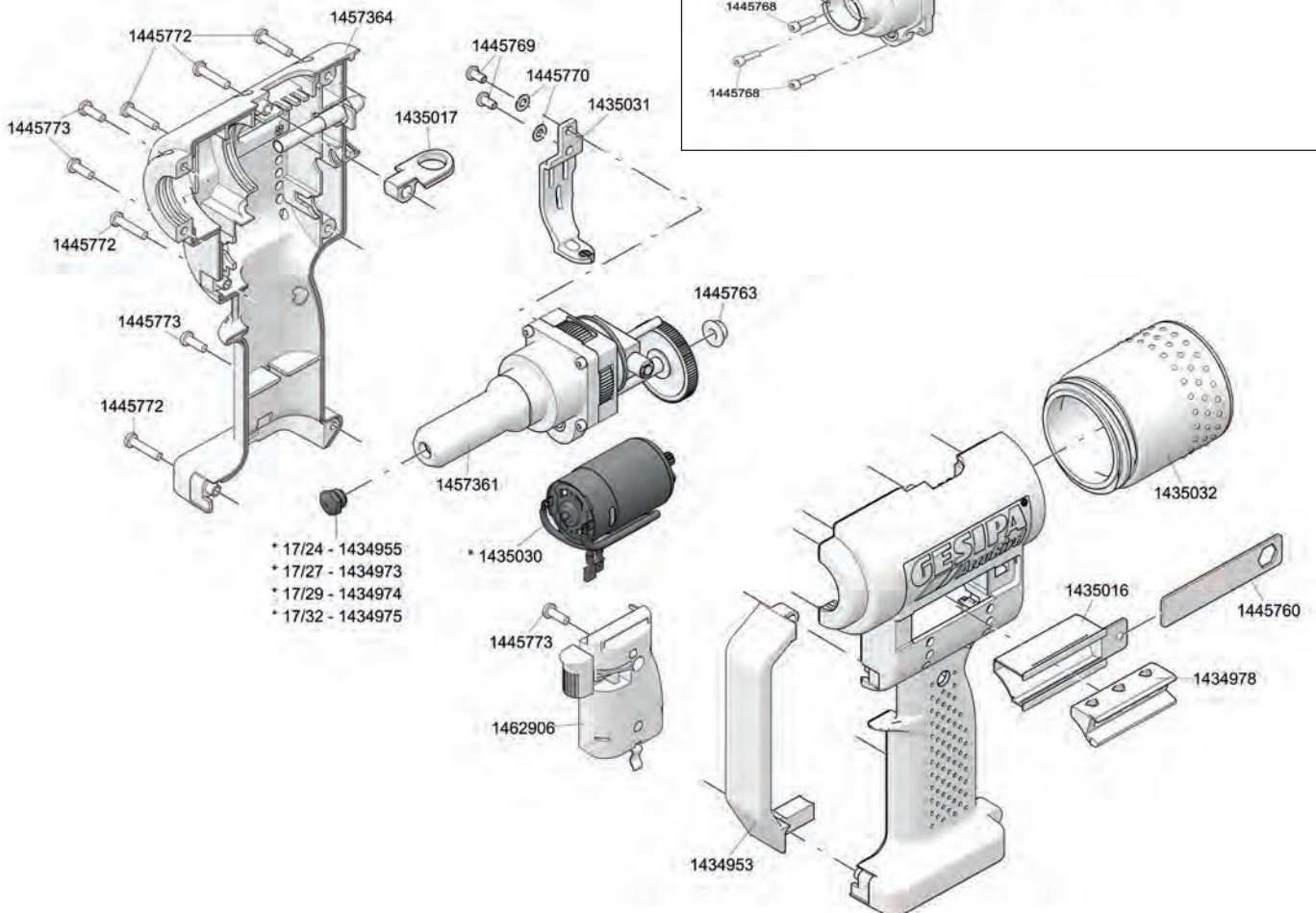
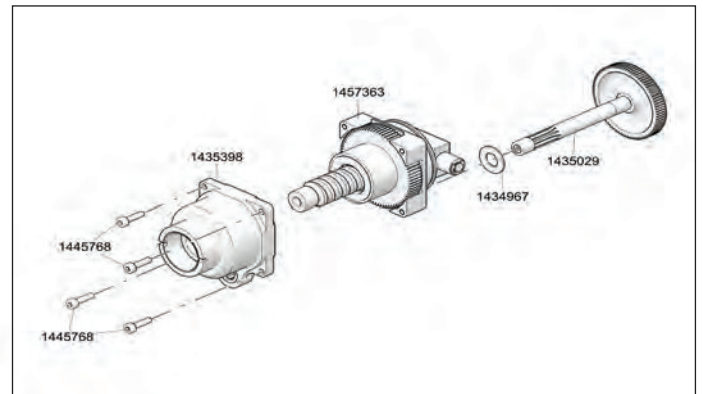
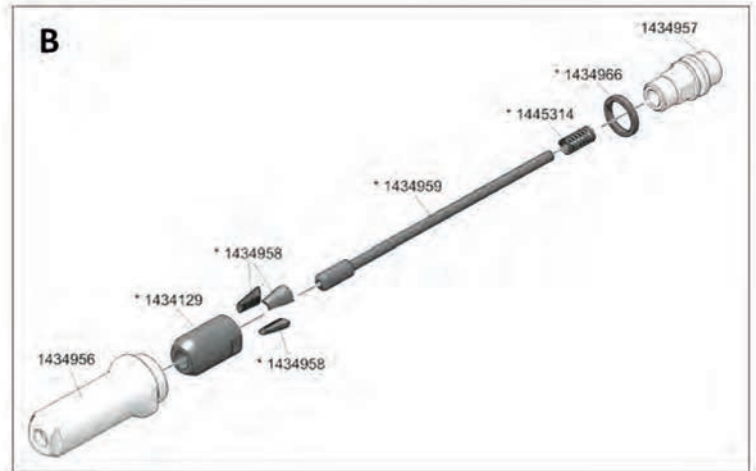
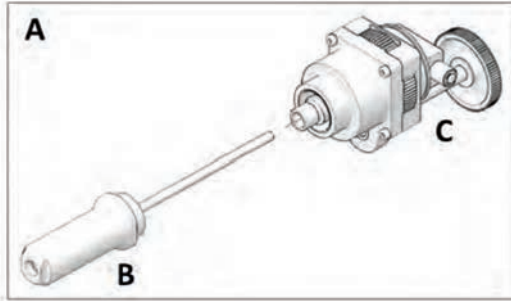
 You will find detailed nosepiece allocation tables from page 134.

* Wearing parts



BATTERY POWERED BLIND RIVETING TOOLS


AccuBird®




* Wearing parts

BATTERY POWERED BLIND RIVETING TOOLS

AccuBird®

No.	
143 4129*	Jaw housing
143 4953	Protection bracket
143 4955*	Nosepiece 17/24
143 4956	Head
143 4957	Adapter
143 4958*	Jaws (3-part)
143 4959*	Jaw Pusher
143 4966*	Wiper
143 4967	Stop disc
143 4973*	Nosepiece 17/27
143 4974*	Nosepiece 17/29
143 4975*	Nosepiece 17/32
143 4978	Magazine insert
143 5016	Nosepiece magazine
143 5017	Hanger
143 5398	Bearing, complete
143 5029	Pinion shaft, complete

No.	
143 5030*	Motor, complete
143 5031	Magnetic holder, complete
143 5032	Spent mandrel container, complete
144 5314*	Compression spring
144 5760	Key
144 5763	Sintered-metal bushing
144 5768	Allen screw
144 5769	Magnetic holder screw
144 5770	Spring washer
144 5772	Housing screw, long
144 5773	Housing screw, short
145 7361	Drive, complete
145 7363	Sintered-metal bushing
145 7364	Housing
146 2906	E-control

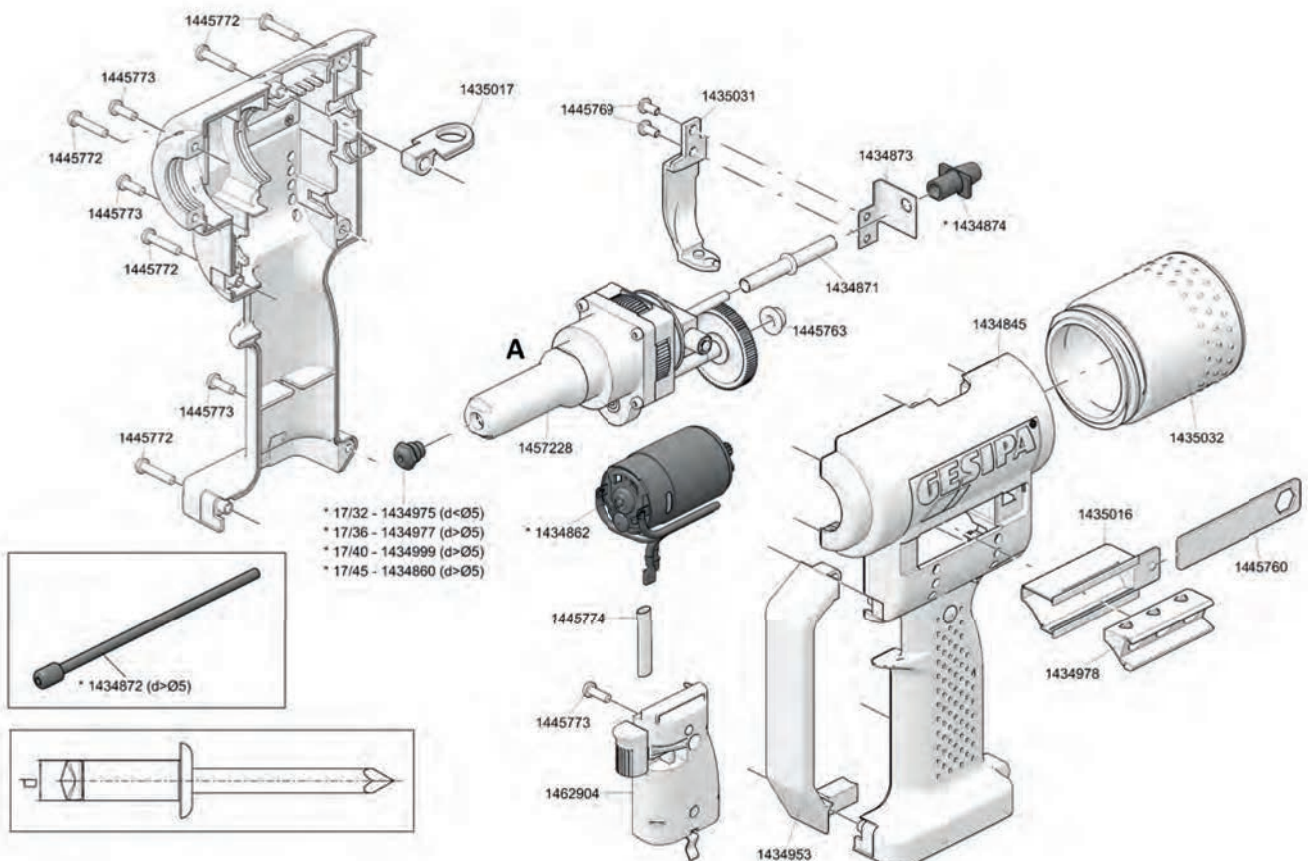
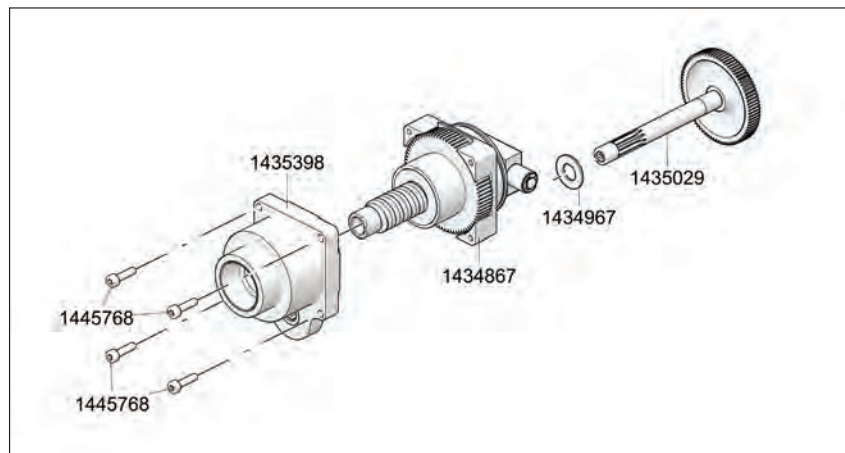
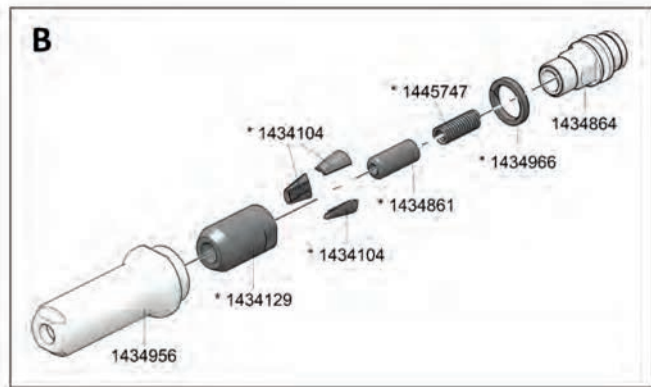
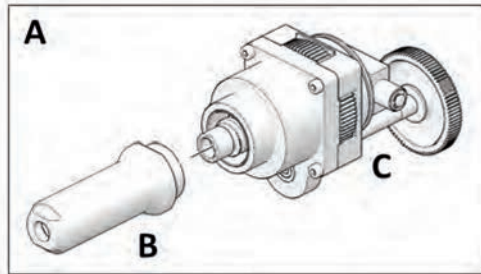
* Wearing parts



You will find detailed nosepiece allocation tables from page 134.
You will find spare part kits from page 371.

BATTERY POWERED BLIND RIVETING TOOLS

PowerBird® - Tool no longer available




* Wearing parts

BATTERY POWERED BLIND RIVETING TOOLS

PowerBird® - Tool no longer available

No.	
143 4104*	Jaws (3-part)
143 4129*	Jaw housing
143 4845	Housing, complete
143 4847	P tube short
143 4860*	Nosepiece 17/45
143 4861*	Jaw Pusher (for BN > Ø 5)
143 4862*	Motor complete
143 4864	Adapter
143 4867	Ball screw drive
143 4871	PB tube
143 4872*	Jaw Pusher
143 4873	Angle
143 4874*	P tube short
143 4953	Hoop guard
143 4956	Steel head sleeve
143 4966*	Wiper
143 4967	Stop disc
143 4975*	Nosepiece 17/32
143 4977*	Nosepiece 17/36
143 4978	Magazine insert
143 4999*	Nosepiece 17/40
143 5016	Nosepiece magazine
143 5017	Hanger

No.	
143 5398	Bearing, complete
143 5029	Pinion shaft
143 5031	Magnetic holder
143 5032	Spent mandrel container, complete
143 5034	Extension
144 5747*	Compression spring
144 5760	Key
144 5763	Sintered-metal bushing
144 5768	Intermediate screw
144 5769	Magnetic holder screw
144 5772	Housing screw long
144 5773	Housing screw short
144 5774	Hose complete
145 7228	Drive, complete
146 2904	E control
146 2907	Safety lubricating grease

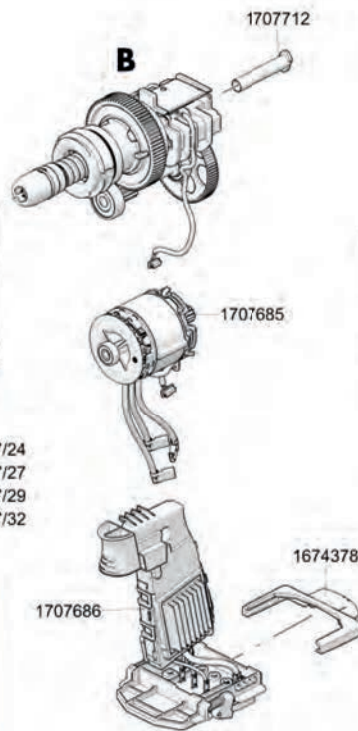
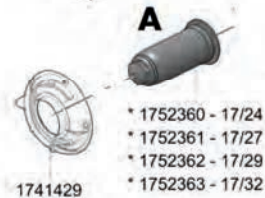
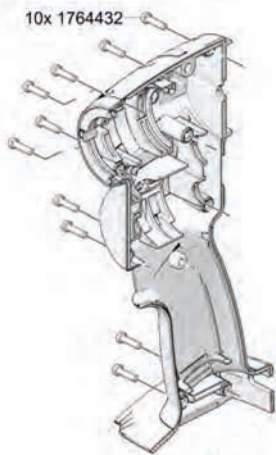
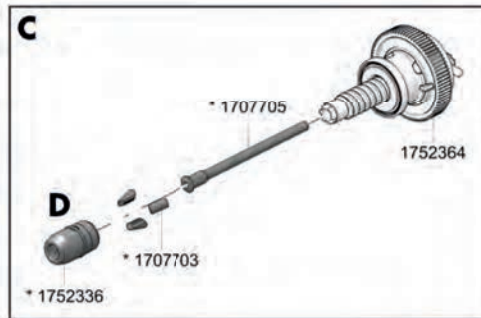
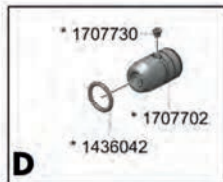
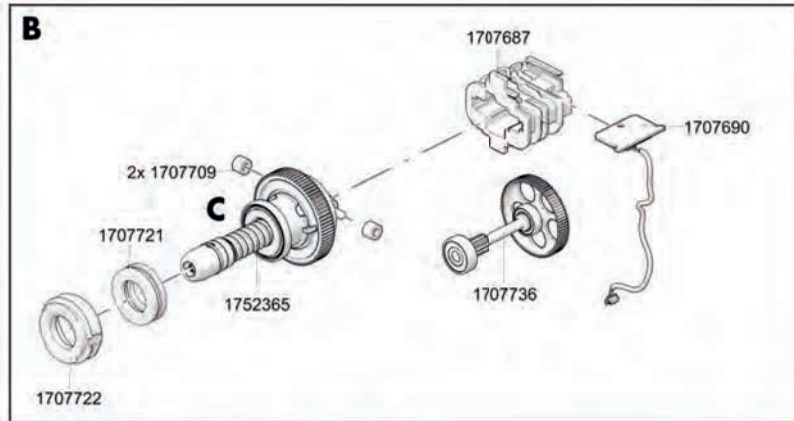
* Wearing parts



You will find detailed nosepiece allocation tables from page 134.
You will find spare part kits from page 371.


BATTERY POWERED BLIND RIVETING TOOLS


Birdie®



BATTERY POWERED BLIND RIVETING TOOLS

Birdie®

No.	
143 6042	O-ring
167 4378	Locking slider
167 9689*	Battery 2.0 Ah
167 9694	Charger EU
167 9695	Charger UK
167 9696	Charger USA
170 7685	Motor complete
170 7686	E control
170 7687	Cage
170 7690	Plate
170 7702*	Jaw housing
170 7703*	Jaw
170 7705*	Jaw pusher
170 7709	Sintered metal roller
170 7712	Exhaust pipe
170 7721	Axial groove ball bearing
170 7722	Housing

No.	
170 7730*	Retainer
170 7731*	Setting sleeve
170 7736	Intermediate shaft
174 1427	Housing complete
174 1428	Spent mandrel container
174 1429	Light ring
174 6773	Plate light ring
175 2336*	Jaw Housing complete
175 2360*	Setting sleeve 17/24 complete
175 2361*	Setting sleeve 17/27 complete
175 2362*	Setting sleeve 17/29 complete
175 2363*	Setting sleeve 17/32 complete
175 2364	Ball screw drive complete
175 2365	Drive unit complete
176 4432	Screw

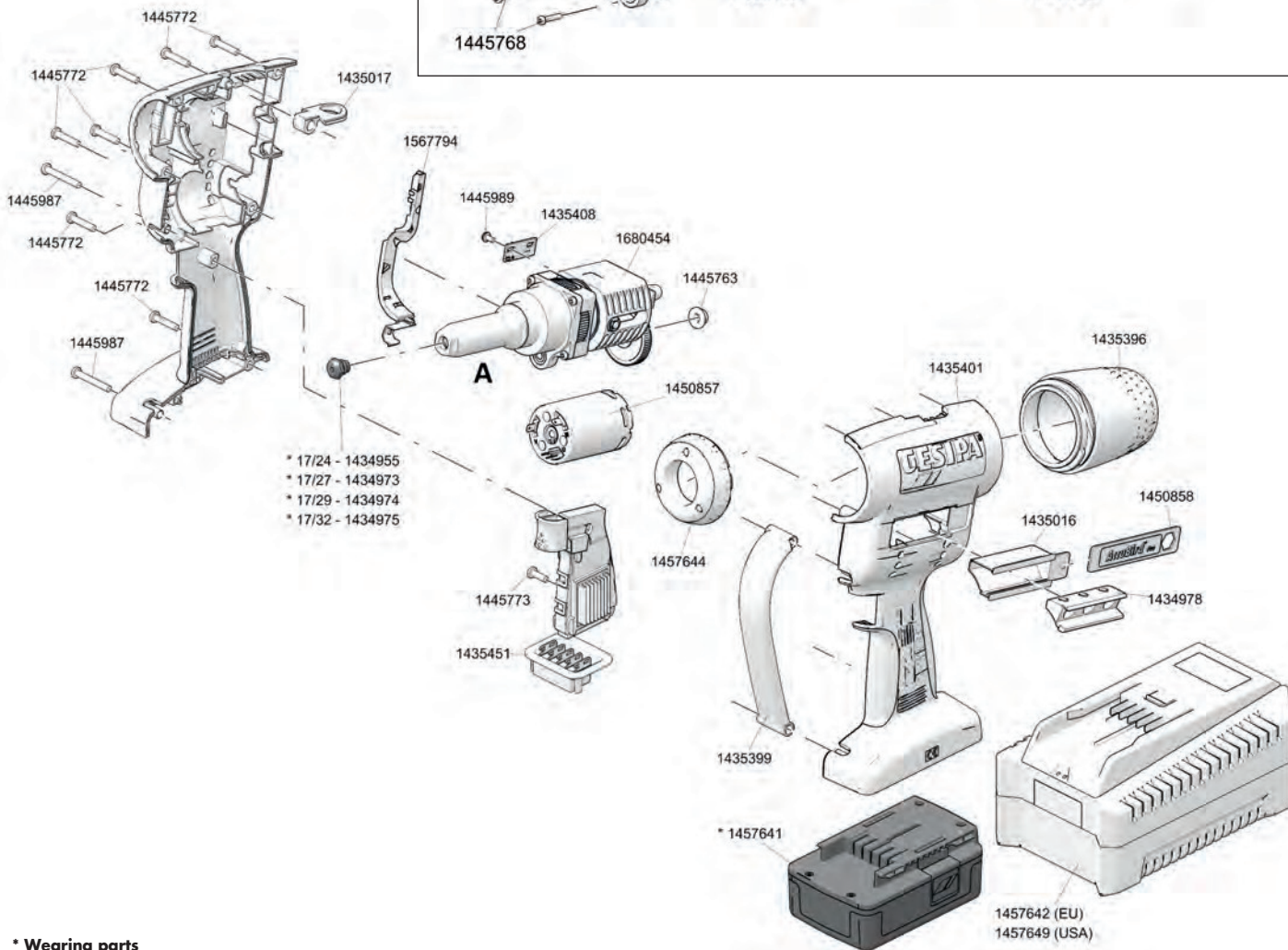
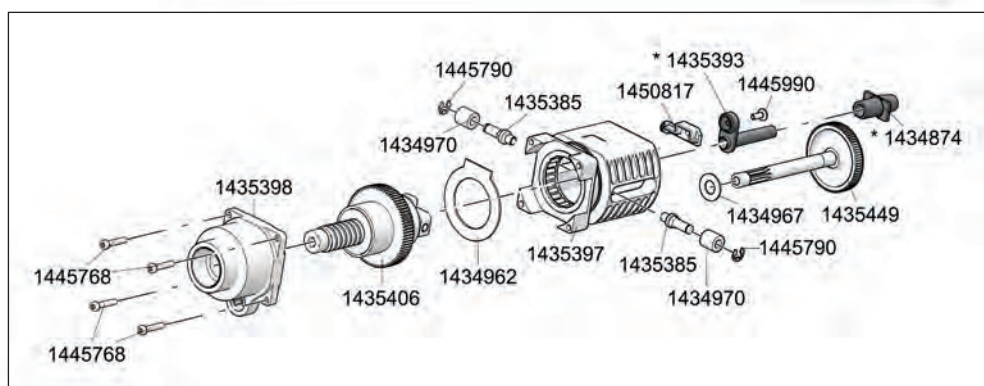
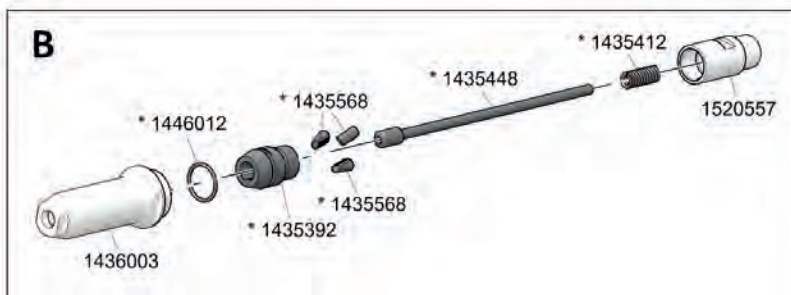
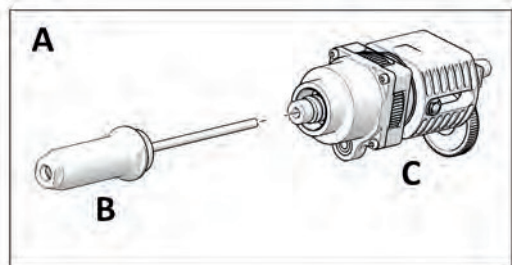
* Wearing parts



You will find detailed nosepiece allocation tables from page 134.

BATTERY POWERED BLIND RIVETING TOOLS

AccuBird® Pro - until April 2021



* Wearing parts

BATTERY POWERED BLIND RIVETING TOOLS

AccuBird® Pro - until April 2021

No.	
143 4874*	Tube
143 4955*	Nosepiece 17/24
143 4962	Washer
143 4967	Washer
143 4970	Sintered metal roller
143 4973*	Nosepiece 17/27
143 4974*	Nosepiece 17/29
143 4975*	Nosepiece 17/32
143 4978	Magazine insert
143 5016	Nosepiece magazine
143 5017	Hanger
143 5385	Pin
143 5392*	Jaw housing
143 5393*	Channel tube
143 5396	Spent mandrel container, complete
143 5397	Bearing cage, complete
143 5398	Bearing, complete
143 5399	Tool bar
143 5401	Housing, complete
143 5406	Ball screw drive
143 5408	Plate
143 5412	Spring
143 5448*	Jaw pusher

No.	
143 5449	Pinion shaft
143 5451	Control
143 5568*	Jaws (3-part)
143 6003	Steel head sleeve
144 5763	Sintered-metal bushing
144 5772	Screw, long
144 5773	Screw, short
144 5790	Lock washer
144 5987	Screw
144 5768	Screw
144 5989	Screw
144 5990	Screw
144 6012*	O-ring
145 0817	Magnet
145 0857	Motor, complete
145 0858	Key AccuBird® Pro complete
145 7641*	Battery - while stocks last
145 7642	Charger (EU) - while stocks last
145 7644	Light, complete
145 7649	Charger (USA) - while stocks last
152 0557	Adapter
156 7794	Cable duct
168 0454	Drive unit, complete

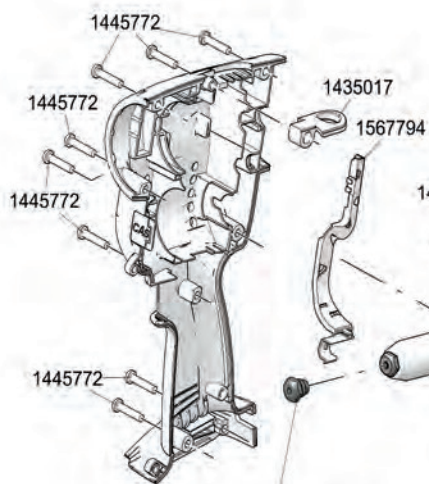
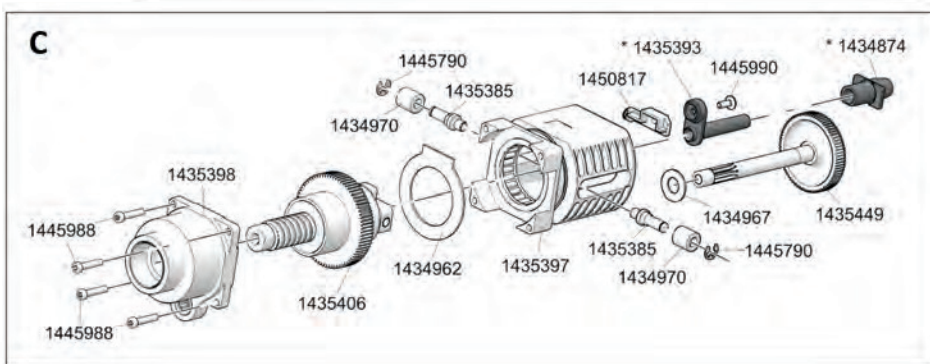
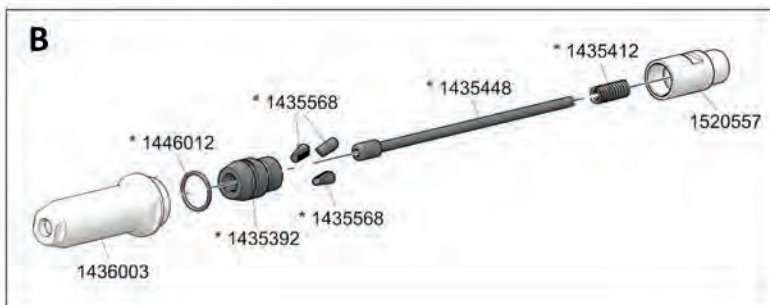
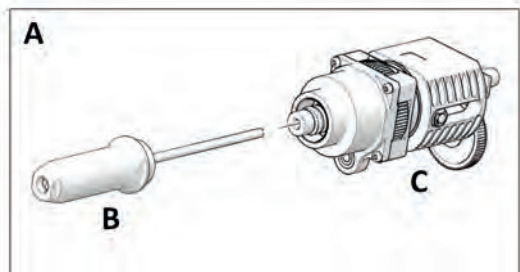
* Wearing parts



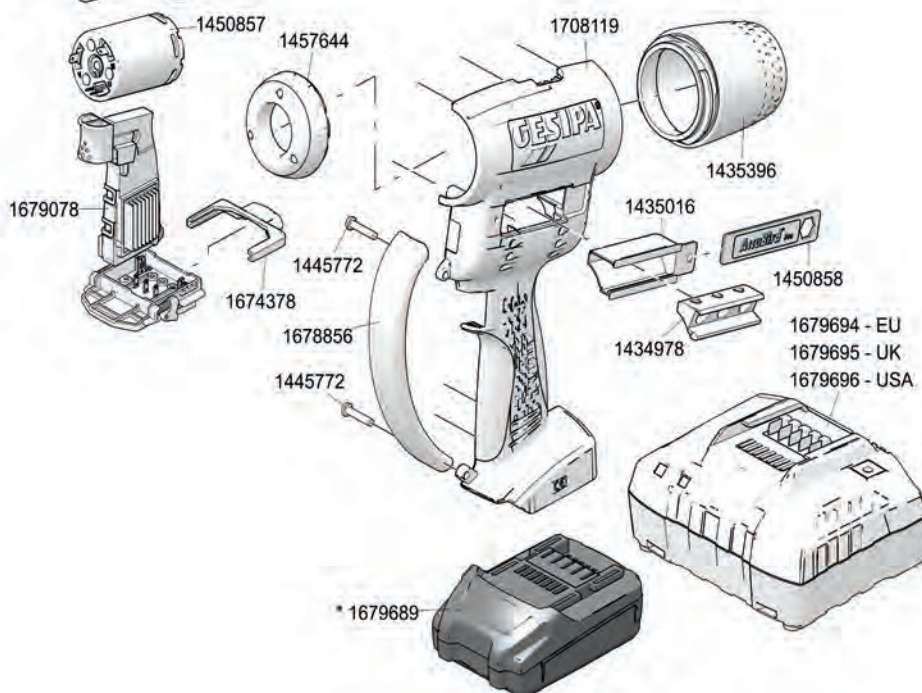
You will find detailed nosepiece allocation tables from page 134.
You will find spare part kits from page 371.

BATTERY POWERED BLIND RIVETING TOOLS

AccuBird® Pro with new CAS technology - from May 2021




- * 17/20 - 1434994 (d < Ø5)
- * 17/24 - 1434955 (d < Ø5)
- * 17/27 - 1434973 (d < Ø5)
- * 17/29 - 1434974 (d < Ø5)
- * 17/32 - 1434975 (d < Ø5)
- * 17/36 - 1434977 (d > Ø5)
- * 17/40 - 1434999 (d > Ø5)




* Wearing parts

BATTERY POWERED BLIND RIVETING TOOLS

AccuBird® Pro with new CAS technology - from May 2021

No.	
143 4874*	Tube
143 4955*	Nosepiece 17/24
143 4962	Washer
143 4967	Washer
143 4970	Sintered metal roller
143 4973*	Nosepiece 17/27
143 4974*	Nosepiece 17/29
143 4975*	Nosepiece 17/32
143 4978	Magazine insert
143 5016	Nosepiece magazine
143 5017	Hanger
143 5385	Pin
143 5392*	Jaw Housing
143 5393*	Channel tube
143 5396	Spent mandrel container, complete
143 5397	Bearing cage, complete
143 5398	Bearing, complete
143 5406	Ball screw drive
143 5408	Plate
143 5412	Spring
143 5448*	Jaw Pusher
143 5449	Pinion shaft
143 5568*	Jaws (3-part)
143 6003	Steel head sleeve
144 5763	Sintered-metal bushing

No.	
144 5772	Screw, long
144 5790	Lock washer
144 5988	Screw
144 5989	Screw
144 5990	Screw
144 6012*	O ring
145 0817	Magnet
145 0857	Motor complete
145 0858	Key AccuBird® Pro complete
145 7644	Light, complete
152 0557	Adapter
156 7794	Cable duct
167 9689*	Battery 2.0 Ah
167 4378	Locking slider
167 8855	Housing
167 8856	Tool bar
167 9078	E control
168 0454	Drive unit

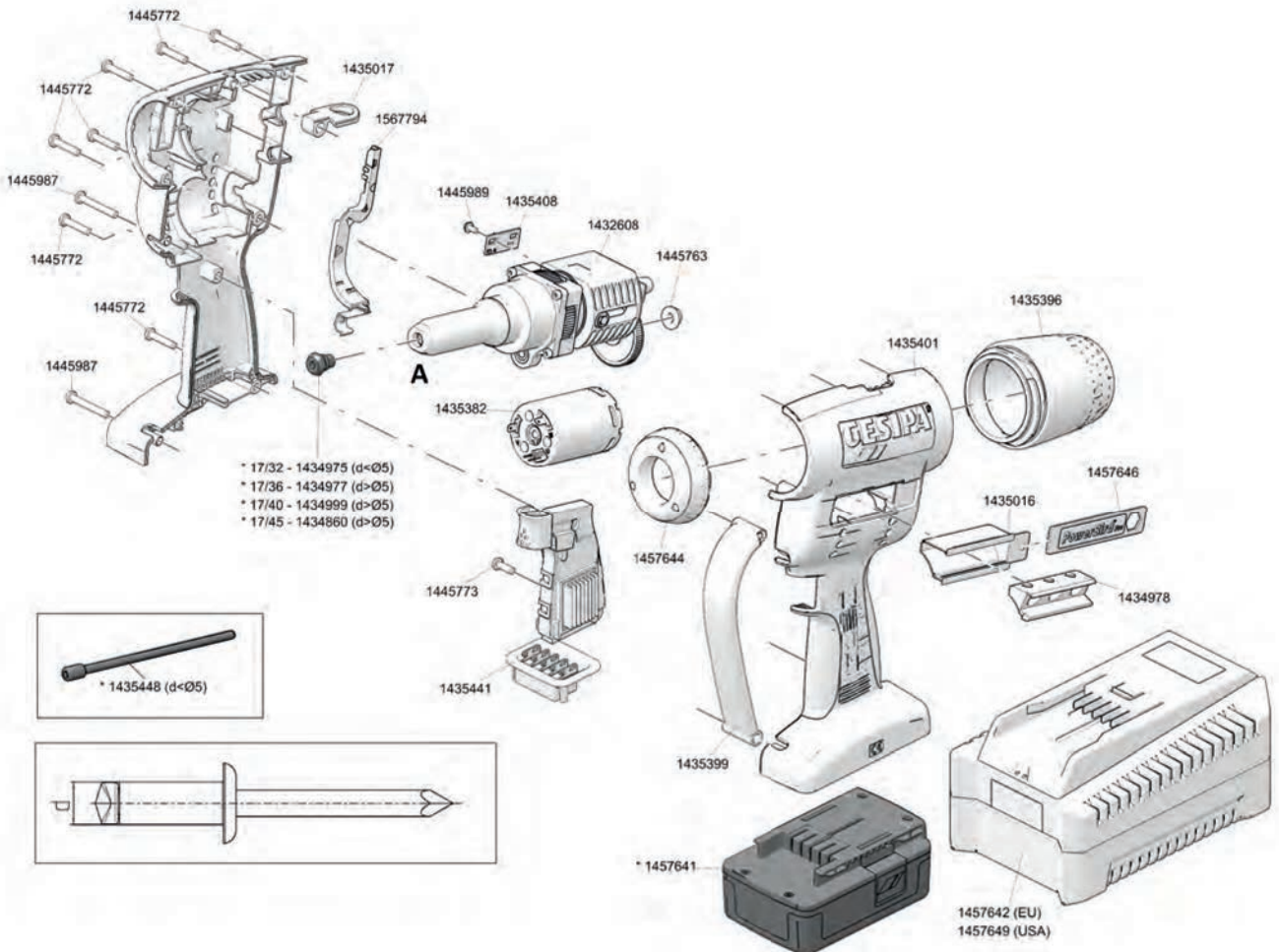
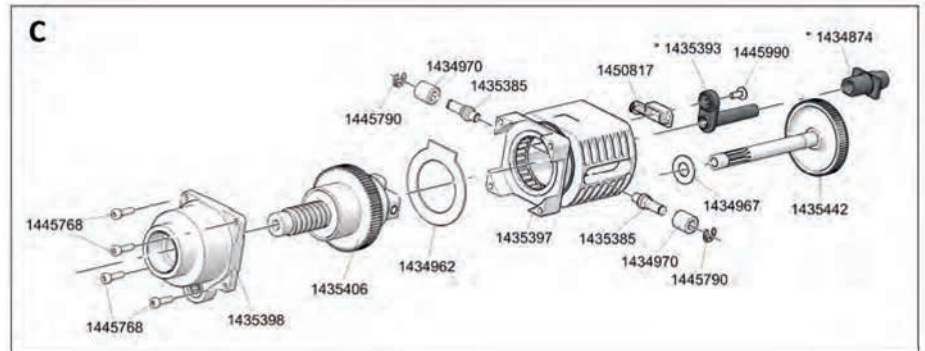
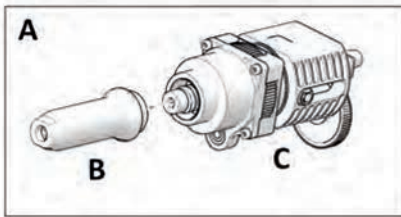
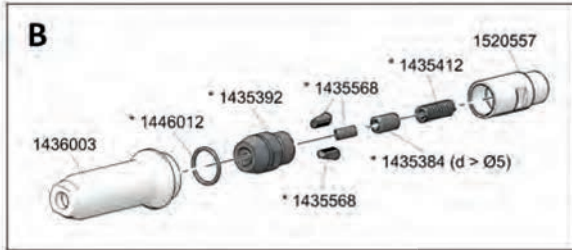
* Wearing parts



You will find detailed nosepiece allocation tables from page 134.
You will find spare part kits from page 371.

BATTERY POWERED BLIND RIVETING TOOLS


PowerBird® Pro - tool no longer available




* Wearing parts

BATTERY POWERED BLIND RIVETING TOOLS

PowerBird® Pro - tool no longer available

No.	
143 2608	Drive unit
143 4860*	Nosepiece 17/45
143 4874*	Tube short
143 4962	Washer
143 4967	Washer
143 4970	Sintered metal roller
143 4975*	Nosepiece 17/32
143 4977*	Nosepiece 17/36
143 4999*	Nosepiece 17/40
143 4978	Magazine insert
143 5016	Nosepiece magazine
143 5017	Hanger
146 3584	Motor complete
143 5384*	Jaw Pusher (for BN > Ø 5)
143 5385	Pin
143 5392*	Jaw housing
143 5393*	Channel tube
143 5396	Spent mandrel container, complete
143 5397	Bearing cage
143 5398	Bearing, complete
143 5399	Tool bar
143 5401	Housing complete
143 5406	Ball screw drive

No.	
143 5408	Hall pcb
143 5412*	Compression spring
143 5441	E control
143 5442	Pinion shaft
143 5448*	Jaw Pusher (for BN < Ø 5)
143 5568*	Jaws (3 parts)
143 6003	Steel head sleeve
144 5763	Sintered-metal bushing
144 5768	Screw
144 5772	Screw long
144 5773	Screw short
144 5790	Lock washer
144 5987	Screw
144 5989	Screw
144 5990	Screw
144 6012*	O ring
145 0817	Magnetic holder
145 7641*	Battery - while stocks last
145 7642	Charger (EU) - while stocks last
145 7644	Light, complete
145 7646	Key PowerBird® Pro complete
145 7649	Charger (USA) - while stocks last
152 0557	Adapler
156 7794	Cable duct

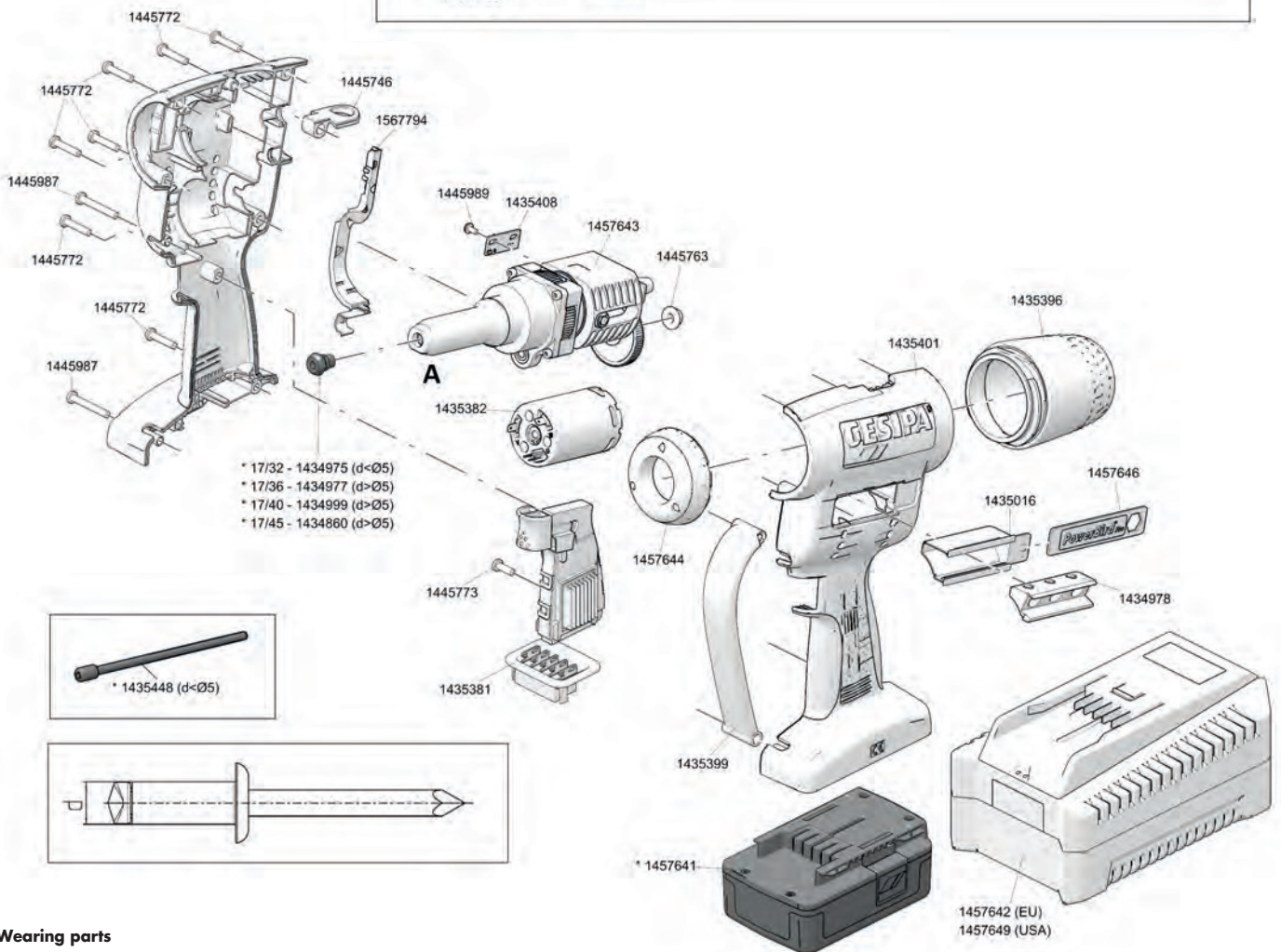
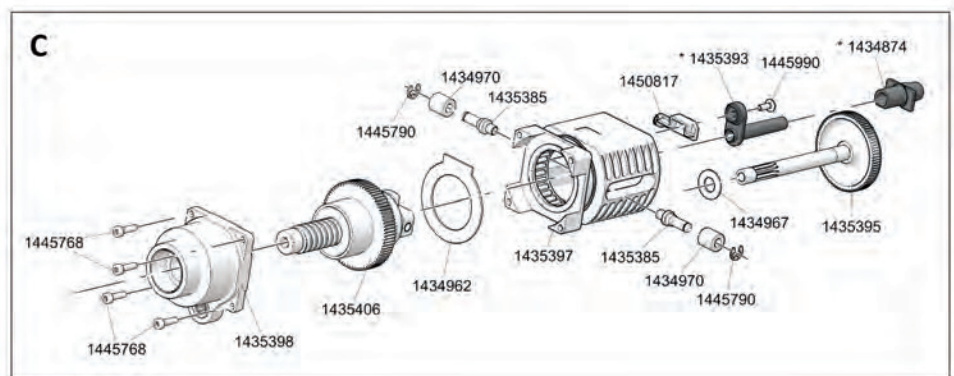
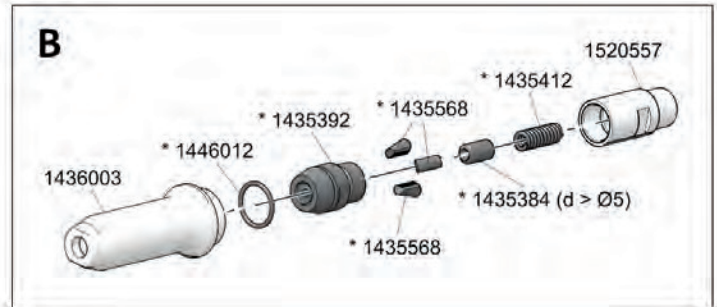
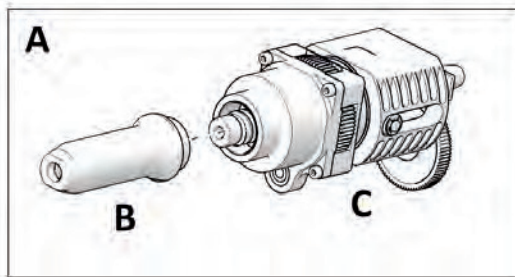
* Wearing parts



You will find detailed nosepiece allocation tables from page 134.
You will find spare part kits from page 371.

BATTERY POWERED BLIND RIVETING TOOLS

PowerBird® Pro Gold Edition - until April 2021




* Wearing parts

BATTERY POWERED BLIND RIVETING TOOLS

PowerBird® Pro Gold Edition - until April 2021

No.	
143 4874*	Tube short
143 4962	Washer
143 4967	Washer
143 4970	Sintered metal roller
143 4975*	Nosepiece 17/32
143 4977*	Nosepiece 17/36
143 4999*	Nosepiece 17/40
143 4860*	Nosepiece 17/45
143 4978	Magazine insert
143 5016	Nosepiece magazine
143 5381	E control
145 0857	Motor complete Pro Gold Edition
143 5384*	Jaw Pusher (for BN > Ø 5)
143 5385	Pin
143 5392*	Jaw housing
143 5393*	Channel tube
143 5395	Pinion shaft Pro Gold Edition
143 5396	Spent mandrel container, complete
143 5397	Bearing cage
143 5398	Bearing, complete
143 5399	Tool bar
143 5401	Housing complete
143 5406	Ball screw drive

No.	
143 5408	Hall pcb
143 5412*	Compression spring
143 5448*	Jaw Pusher (for BN < Ø 5)
143 5568*	Jaws (3 parts)
143 6003	Steel head sleeve
144 5746	Hanger Pro Gold Edition
144 5763	Sintered-metal bushing
144 5768	Screw
144 5772	Screw long
144 5773	Screw short
144 5790	Lock washer
144 5987	Screw
144 5989	Screw
144 5990	Screw
144 6012*	O ring
145 0817	Magnetic holder
145 7641*	Battery - while stocks last
145 7642	Charger (EU) - while stocks last
145 7643	Drive unit Pro GE complete
145 7644	Light, complete
145 7646	Key PowerBird® Pro complete
145 7649	Charger (USA) - while stocks last
152 0557	Adapler
156 7794	Cable duct

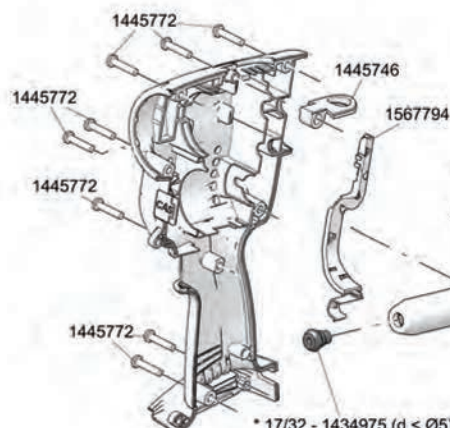
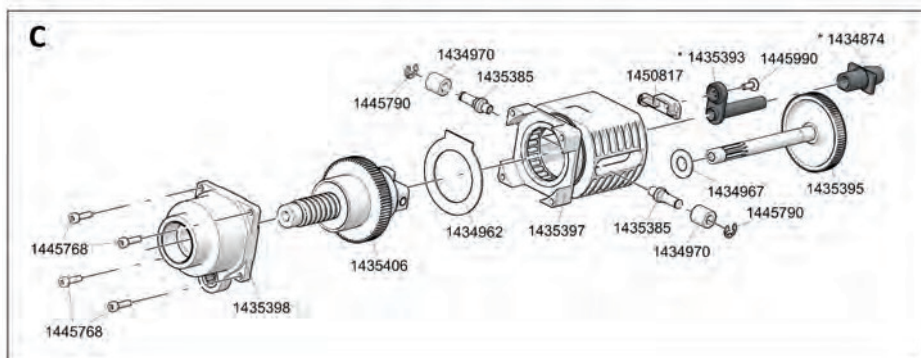
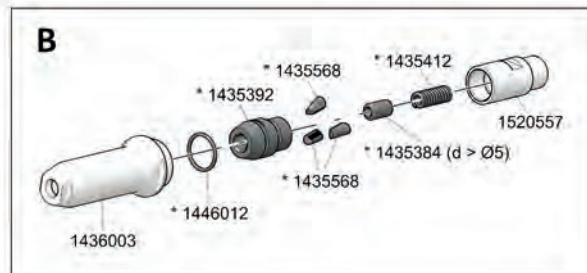
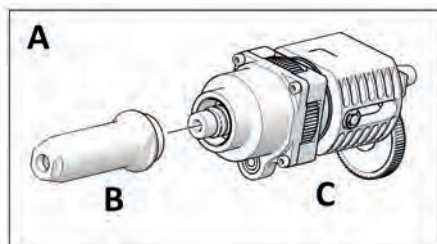
* Wearing parts



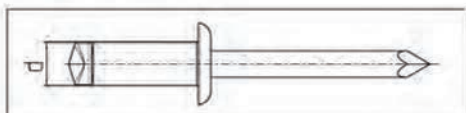
You will find detailed nosepiece allocation tables from page 134.

BATTERY POWERED BLIND RIVETING TOOLS

PowerBird® Pro Gold Edition with new CAS technology - from May 2021



- * 17/32 - 1434975 (d < Ø5)
- * 17/36 - 1434977 (d > Ø5)
- * 17/40 - 1434999 (d > Ø5)
- * 17/45 - 1434860 (d > Ø5)




* Wearing parts

BATTERY POWERED BLIND RIVETING TOOLS

PowerBird® Pro Gold Edition with new CAS technology - from May 2021

No.	
143 4874*	Tube short
143 4962	Washer
143 4967	Washer
143 4970	Sintered metal roller
143 4975*	Nosepiece 17/32
143 4977*	Nosepiece 17/36
143 4999*	Nosepiece 17/40
143 4860*	Nosepiece 17/45
143 4978	Magazine insert
143 5016	Nosepiece magazine
143 5384*	Jaw Pusher (for BN > Ø 5)
143 5385	Pin
143 5392*	Jaw housing
143 5393*	Channel tube
143 5395	Pinion shaft Pro Gold Edition
143 5396	Spent mandrel container, complete
143 5397	Bearing cage
143 5398	Bearing, complete
143 5406	Ball screw drive
143 5408	Hall pcb
143 5412*	Compression spring
143 5448*	Jaw Pusher (for BN < Ø 5)
143 5568*	Jaws (3 parts)

No.	
143 6003	Steel head sleeve
144 5746	Hanger Pro Gold Edition
144 5763	Sintered-metal bushing
144 5768	Screw
144 5772	Screw long
144 5790	Lock washer
144 5989	Screw
144 5990	Screw
144 6012*	O ring
145 0817	Magnetic holder
145 7643	Drive unit Pro GE complete
145 7644	Light, complete
145 7645	Motor
145 7646	Key PowerBird® Pro complete
152 0557	Adapter
156 7794	Cable duct
167 9689	Battery 2.0 Ah
167 4378	Locking slider
170 8119	Housing
167 8856	Tool bar
167 9103	E control

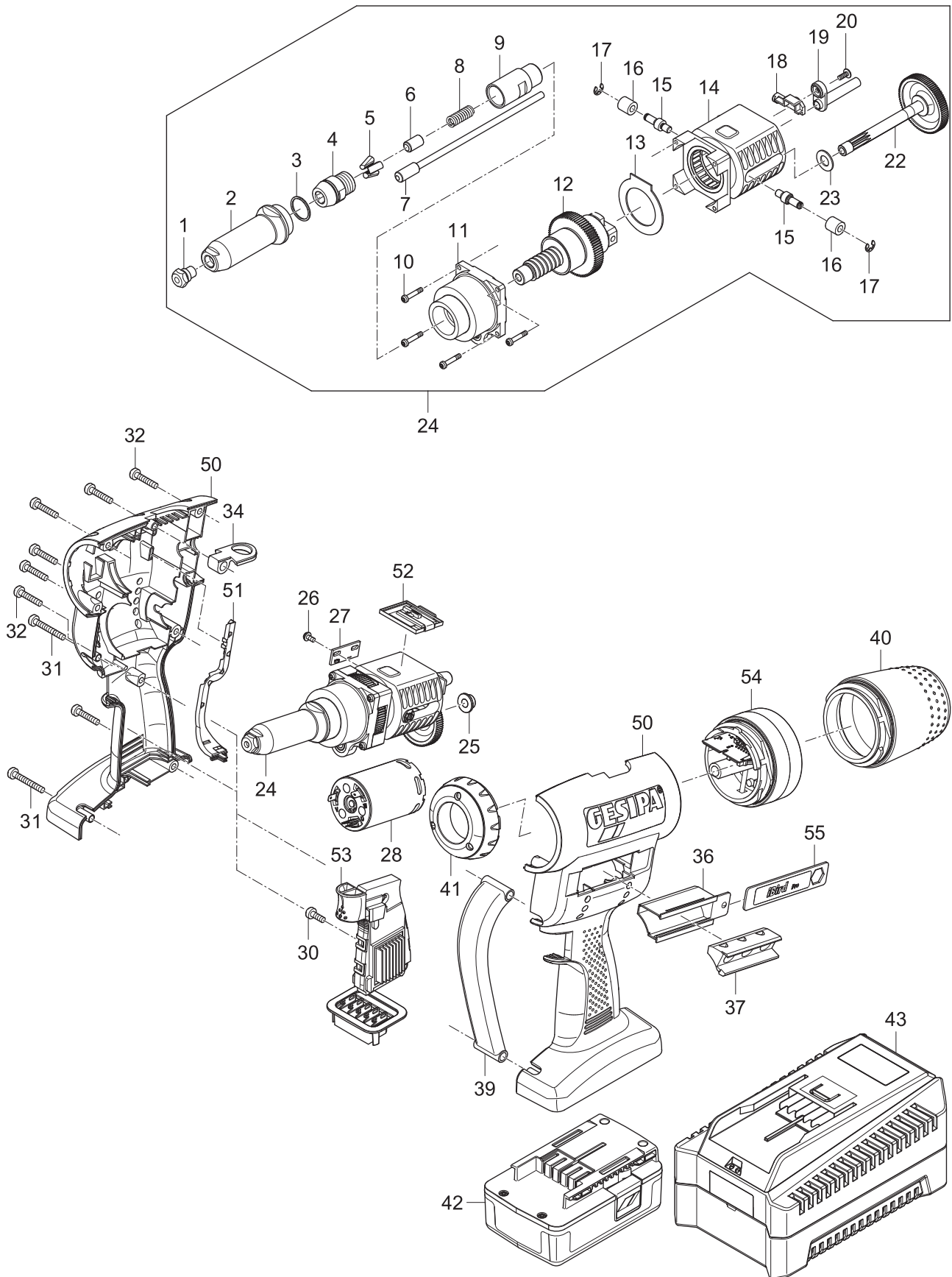
* Wearing parts



You will find detailed nosepiece allocation tables from page 134.



BATTERY POWERED BLIND RIVETING TOOLS



iBird® Pro - until April 2021



BATTERY POWERED BLIND RIVETING TOOLS

iBird® Pro - until April 2021

	No.	
1 •	143 4975	Nosepiece 17/32
	143 4977	Nosepiece 17/36
	143 4999	Nosepiece 17/40
	143 4860	Nosepiece 17/45
2	143 6003	Steel head sleeve
3 •	144 6012	O-ring
4 •	143 5392	Jaw housing
5 •	143 5568	Jaws (3-part)
6 •	143 5384	Jaw Pusher (> Ø 5)
7 •	143 5448	Jaw Pusher (< Ø 5)
8 •	143 5412	Spring
9	152 0557	Adapter
10	144 5768	Screw
11	143 5398	Bearing, complete
12	143 5406	Ball screw drive
13	143 4962	Washer
14	143 5397	Bearing cage
15	143 5385	Pin
16	143 4970	Sintered metal roller
17	144 5790	Lock washer
18	145 0817	Magnetic holder
19 •	143 5393	Channel tube
20	144 5990	Screw
21 •	143 4874	Tube
22	143 5442	Pinion shaft
	143 5395	Pinion shaft Pro Gold Edition
23	143 4967	Washer

	No.	
24	143 2608	Drive unit Pro complete
	145 7643	Drive unit Pro GE complete
25	144 5763	Sintered-metal bushing
26	144 5989	Screw
27	143 5408	Plate
28	146 3584	Motor complete Pro
	145 7645	Motor complete Pro Gold Edition
30	144 5773	Screw, short
31	144 5987	Screw
32	144 5772	Screw, long
34	143 5416	Hanger Pro
	144 5746	Hanger Pro Gold Edition
36	143 5016	Nosepiece magazine
37	143 4978	Magazine insert
39	143 5399	Tool bar
40	143 5396	Spent mandrel container, complete
41	145 7644	Light, complete
42 •	145 7641	Battery - while stocks last
43	145 7642	Battery charger (EU) - while stocks last
	145 7649	Battery charger (USA) - while stocks last
50	156 7795	Housing, complete
51	156 7794	Cable duct
52	156 7799	NFC module
54*	-	iBird® electronic complete
55	174 4259	Key iBird® Pro complete

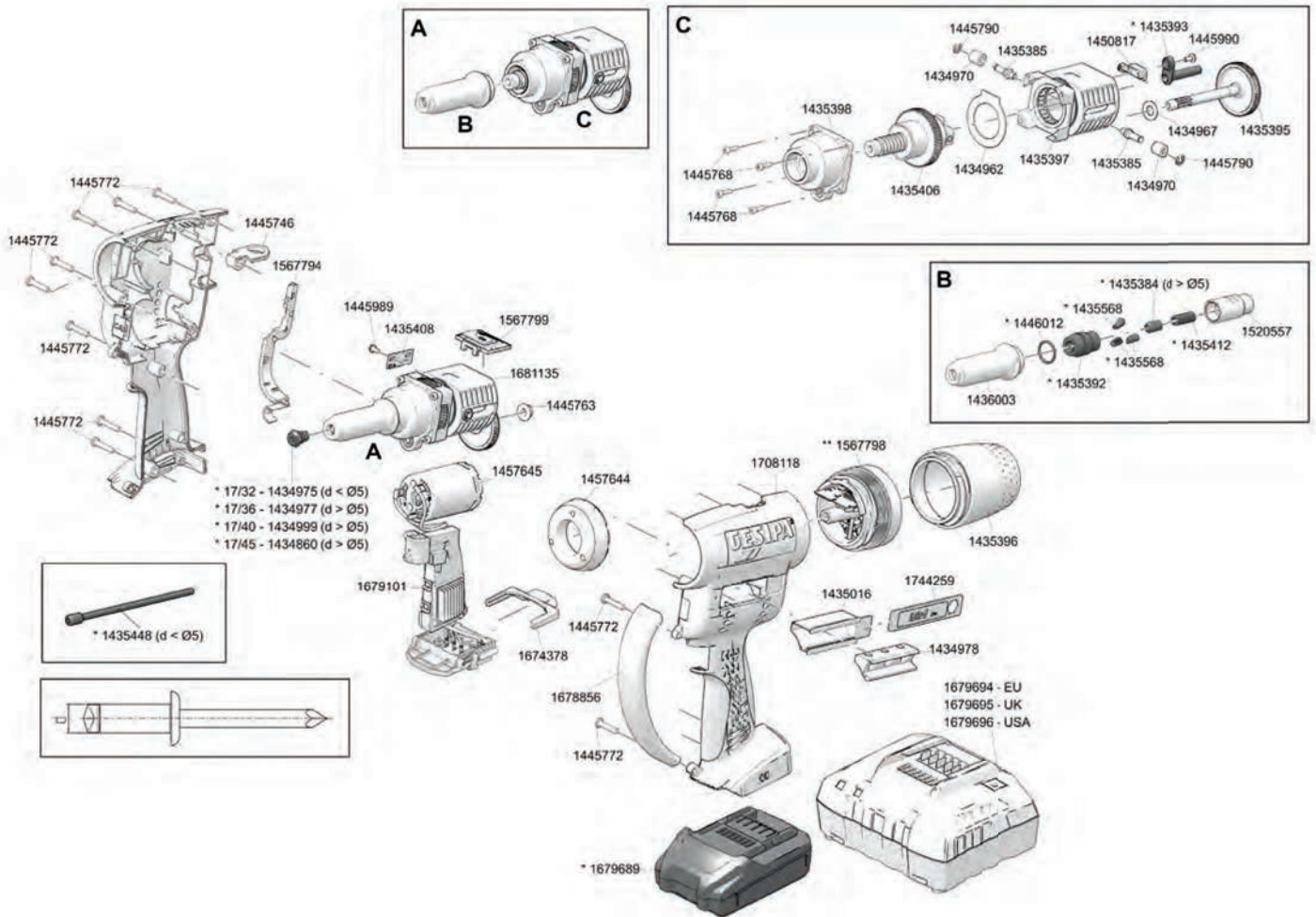
- Wearing parts
- * exchange only by GESIPA®



You will find detailed nosepiece allocation tables from page 134.

BATTERY POWERED BLIND RIVETING TOOLS


iBird® Pro with new CAS technology - from May 2021




* Wearing parts

BATTERY POWERED BLIND RIVETING TOOLS

iBird® Pro with new CAS technology - from May 2021

No.	
143 4860*	Nosepiece 17/45
143 4962	Washer
143 4967	Washer
143 4970	Sintered metal roller
143 4975*	Nosepiece 17/32
143 4977*	Nosepiece 17/36
143 4978	Magazine insert
143 4999*	Nosepiece 17/40
143 5016	Nosepiece magazine
143 5384*	Jaw Pusher (> Ø 5)
143 5385	Pin
143 5392*	Jaw housing
143 5393*	Channel tube
143 5395	Pinion shaft Pro Gold Edition
143 5396	Spent mandrel container, complete
143 5397	Bearing cage
143 5398	Bearing, complete
143 5406	Ball screw drive
143 5408	Plate
143 5412*	Spring
143 5448*	Jaw Pusher (< Ø 5)
143 5568*	Jaws (3-part)
143 6003	Steel head sleeve
144 5746	Hanger Pro Gold Edition
144 5763	Sintered-metal bushing
144 5768	Screw
144 5772	Screw long
144 5790	Lock washer

No.	
144 5989	Screw
144 5990	Screw
144 6012*	O ring
145 0817	Magnetic holder
145 7644	Light, complete
145 7645	Motor complete Pro Gold Edition
152 0557	Adapter
174 4259	Key iBird® Pro complete
156 7794	Cable duct
156 7798**	iBird module
156 7799	NFC module
167 9689*	Battery 2.0 Ah
167 4378	Locking slider
167 8856	Tool bar
167 9101	E control
170 8118	Housing
168 1135	Drive unit
167 9694	Charger EU
167 9695	Charger UK
167 9696	Charger USA

* Wearing parts

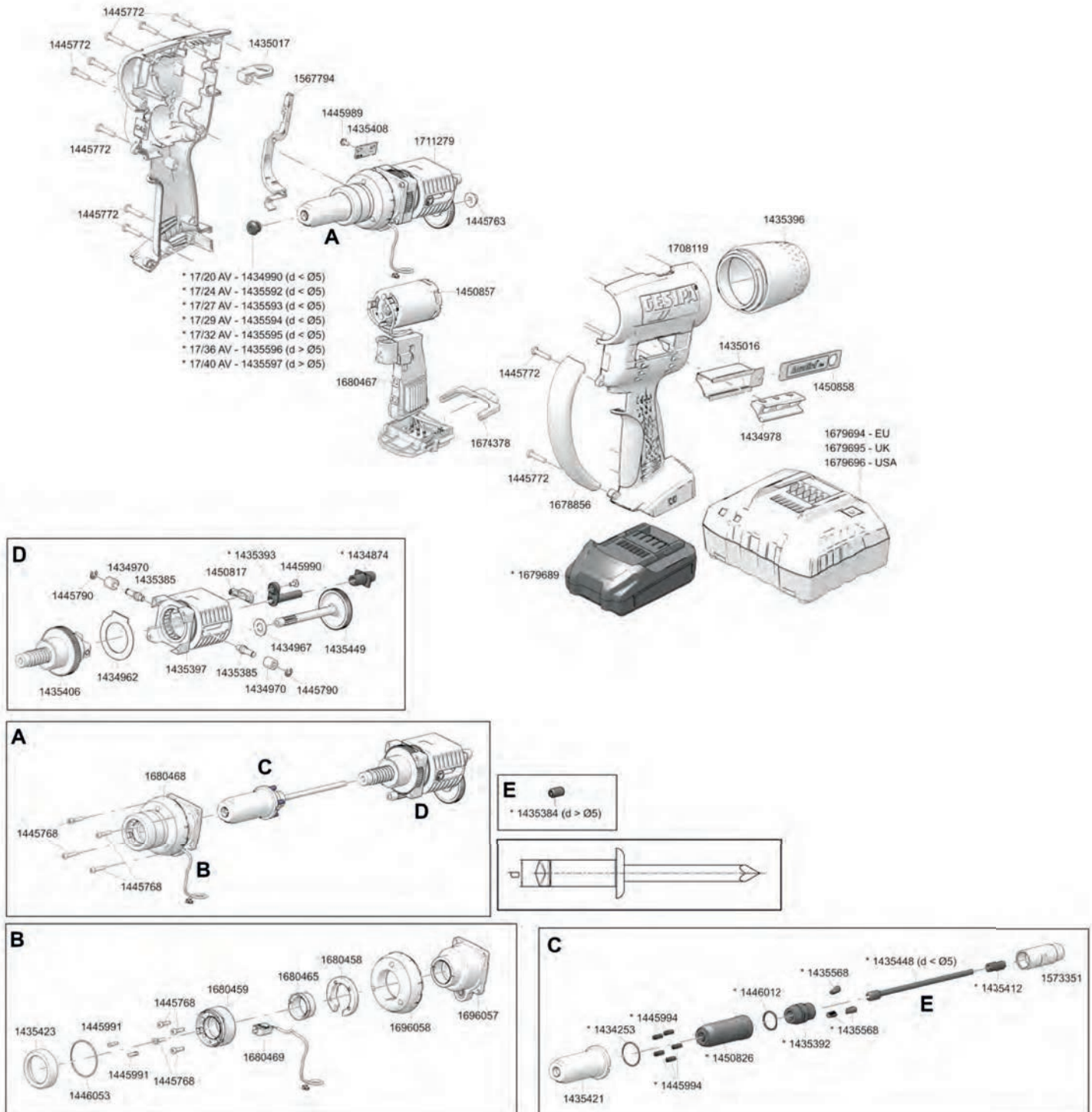
** exchange only by GESIPA®



You will find detailed nosepiece allocation tables from page 134.

BATTERY POWERED BLIND RIVETING TOOLS



AccuBird® Pro with spring loaded trigger system with new CAS technology - from May 2021



* Wearing parts

BATTERY POWERED BLIND RIVETING TOOLS

AccuBird® Pro with spring loaded trigger system with new CAS technology - from May 2021

No.		No.	
1434253*	O ring	1435597*	Nosepiece 17/40 AV
1434874*	P tube	1445763	Sintered-metal bushing
1434962	Thrust washer	1445768	Allen screw
1434967	Washer	1445772	Screw
1434970	Sintered metal roller	1445790	Lock washer
1434978	Magazine insert	1445989	Screw
1434990*	Nosepiece 17/20 AV	1445990	Screw
1435016	Nosepiece magazine	1445991	Dowel pin
1435017	Hanger	1445994*	Compression spring
1435384*	Jaw pusher	1446012*	O ring
1435385	Bolt	1446053	O ring
1435392*	Jaw housing	1450817	Magnetic holder complete
1435393*	Channel tube	1450826*	Support sleeve complete
1435396	Spent mandrel container complete	1450857	Motor complete
1435397	Bearing cage	1450858	Key complete
1435406	Ball screw drive complete	1567794	Cable duct
1435408	Hall plate	1573351	Adapter
1435412*	Compression spring	1674378	Locking slider
1435421	Steel sleeve	1678856	Tool bar
1435423	Union nut	1679689*	Battery 2.0 Ah
1435448*	Jaw pusher	1679694	Charger CAS Multi-Charger EU
1435449	Pinion shaft complete	1679695	Charger CAS Multi-Charger UK
1435568*	Jaw	1679696	Charger CAS Multi-Charger US
1435592*	Nosepiece 17/24 AV	1680458	Adapter ring
1435593*	Nosepiece 17/27 AV	1680459	Casing
1435594*	Nosepiece 17/29 AV	1680465	Screw connection
1435595*	Nosepiece 17/32 AV	1680467	E control complete
1435596*	Nosepiece 17/36 AV	1680468	Pressing unit complete
		1680469	Sensor AV complete
		1696057	Bearing complete
		1696058	Light AV complete
		1708119	Housing complete
		1711279	Drive unit complete

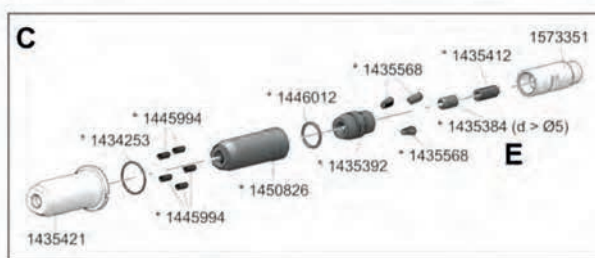
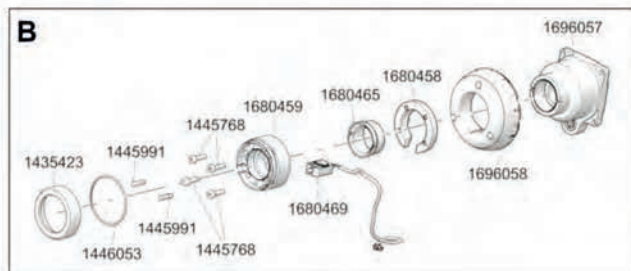
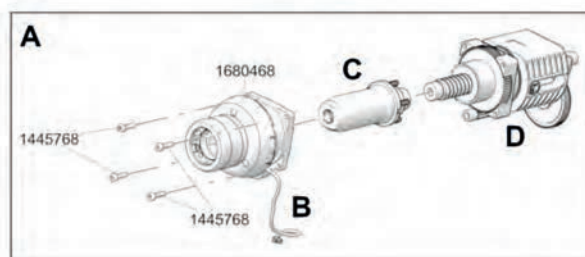
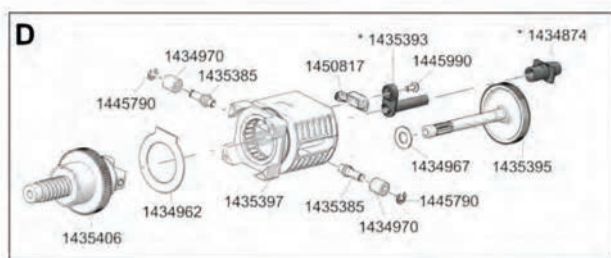
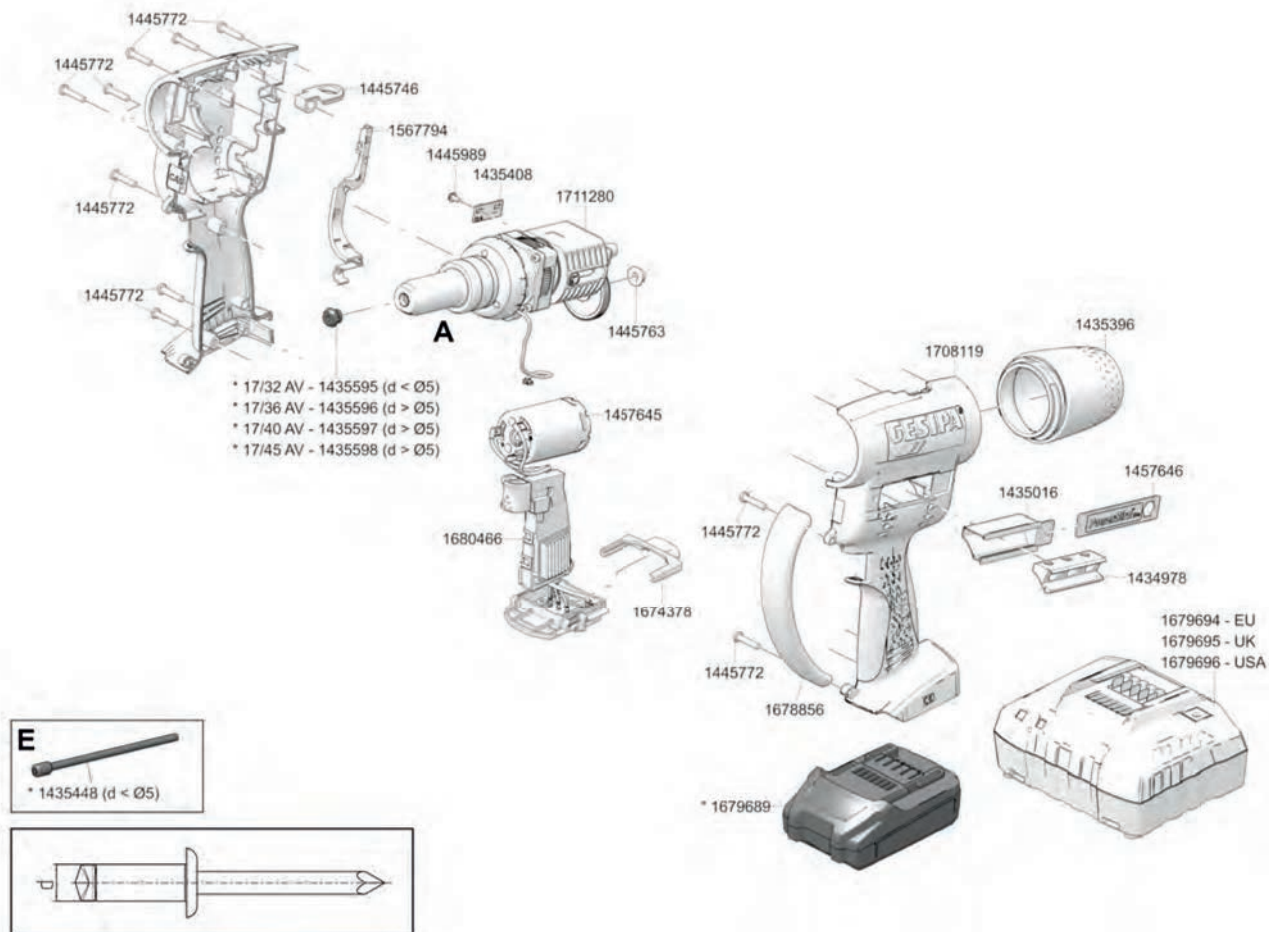
* Wearing parts



You will find detailed nosepiece allocation tables from page 134.

BATTERY POWERED BLIND RIVETING TOOLS



PowerBird® Pro with spring loaded trigger system with new CAS technology - from May 2021



* Wearing parts

BATTERY POWERED BLIND RIVETING TOOLS

PowerBird® Pro with spring loaded trigger system with new CAS technology - from May 2021

No.		No.	
1434253*	O-ring	1445772	Screw
1434874*	P tube	1445790	Lock washer
1434962	Thrust washer	1445989	Screw
1434967	Washer	1445990	Screw
1434970	Sintered metal roller	1445991	Dowel pin
1434978	Magazine insert	1445994*	Jaw pusher
1435016	Nosepiece magazine	1446012*	O-ring
1435384*	Jaw pusher	1446053	O-ring
1435385	Pin	1450817	Magnetic holder complete
1435392*	Jaw housing	1450826*	Support sleeve complete
1435393*	Channel tube	1457645	Motor
1435395	Pinion shaft complete	1457646	Key complete
1435396	Spent mandrel container complete	1567794	Cable duct
1435397	Bearing cage	1573351	Adapter
1435406	Ball screw drive complete	1674378	Locking slider
1435408	Hall plate	1678856	Tool bar
1435412*	Jaw pusher	1679689*	Battery 2.0 Ah
1435421	Steel sleeve	1679694	Charger CAS Multi-Charger EU
1435423	Union nut	1679695	Charger CAS Multi-Charger UK
1435448*	Jaw pusher	1679696	Charger CAS Multi-Charger US
1435568*	Jaw	1680458	Adapter ring
1435595*	Nosepiece 17/32 AV	1680459	Casing
1435596*	Nosepiece 17/36 AV	1680465	Screw connection
1435597*	Nosepiece 17/40 AV	1680466	E control complete
1435598*	Nosepiece 17/45 AV	1680468	Pressing unit complete
1445746	Hanger	1680469	Sensor AV complete
1445763	Sintered-metal bushing	1696057	Bearing complete
1445768	Allen screw	1696058	Lightning AV complete
		1708119	Housing complete
		1711280	Drive unit complete

* Wearing parts



You will find detailed nosepiece allocation tables from page 134.

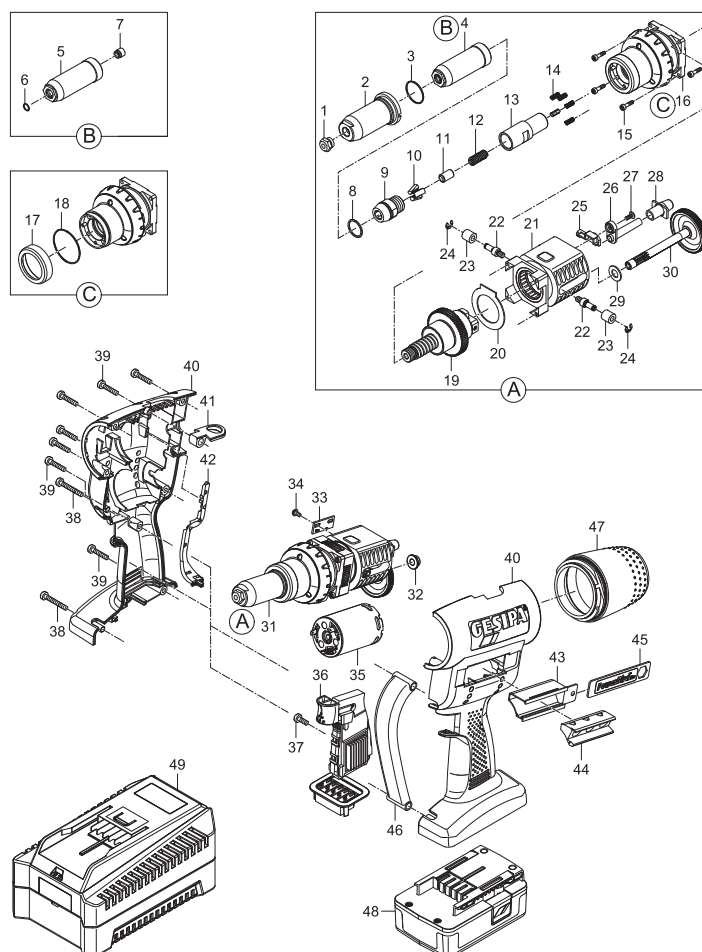
BATTERY POWERED BLIND RIVETING TOOLS

Bird Pro series with spring-loaded trigger system - until April 2021

No.	Image	Description	
1 •		Nosepiece 17/24 AV	
143 5592		AccuBird® Pro	
143 5593			Nosepiece 17/27 AV
143 5594			Nosepiece 17/29 AV
143 5595		AccuBird® Pro, PowerBird® Pro, PowerBird® Pro GE	
143 5596			Nosepiece 17/32 AV
143 5597	PowerBird® Pro, PowerBird® Pro GE		
143 5598		Nosepiece 17/40 AV	
2		Steel head sleeve	
3		O-ring	
4	AccuBird® Pro	Support sleeve	
145 0825		Support sleeve	
5		Snap ring	
6		Support sleeve	
7	AccuBird® Pro	Nosepiece	
8 •		O-ring	
9 •		Jaw housing	
10 •		Jaws (3-part)	
11 •	PowerBird® Pro, PowerBird® Pro GE	Jaw Pusher	
143 5384		Jaw Pusher	
12	AccuBird® Pro	Spring	
13		Adapter AV	
14 •		Spring	
15		Screw	
17		Union nut	
18		O-ring	
19		Ball screw drive	
20		Washer	
21		Bearing cage	
22		Pin	
23		Sintered metal roller	
24		Lock washer	
25		Magnetic holder	
26		Channel tube	
27		Screw	
28		Tube	
29		Washer	

No.	Image	Description
30	PowerBird® Pro GE	Pinion shaf
143 5395	AccuBird® Pro, Power-Bird® Pro	Pinion shaf
143 5449		
31	PowerBird® Pro GE	Drive unit PowerBird® Pro GE AV max. Ø 4,5 mm
145 0829	PowerBird® Pro	Drive unit PowerBird® Pro GE AV max. Ø 4,5 mm
151 9075		Drive unit AccuBird® Pro AV max. Ø 3,2 mm
151 9074		
32		Sintered-metal bushing
33		Plate
34		Screw
35	PowerBird® Pro GE	Motor complete
145 7645	PowerBird® Pro	Motor complete
146 3584		Motor complete
145 0857		
36	PowerBird® Pro GE	Control
146 3926	PowerBird® Pro	Control
150 1672		Control
150 1673		
37		Screw short
38		Screw
39		Screw long
40		Housing, complete
41	PowerBird® Pro GE	Hanger
144 5746	PowerBird® Pro	Hanger
143 5416		Hanger
143 5017		
42		Cable duct
43		Nosepiece magazine
44		Magazine insert
45	PowerBird® Pro	Key complete
145 7646	AccuBird® Pro	Key complete
145 0858		
46		Tool bar
47		Spent mandrel container, complete
48 •		Battery
145 7642		Battery charger (EU)
145 7649		Battery charger (EU)

• Wearing parts



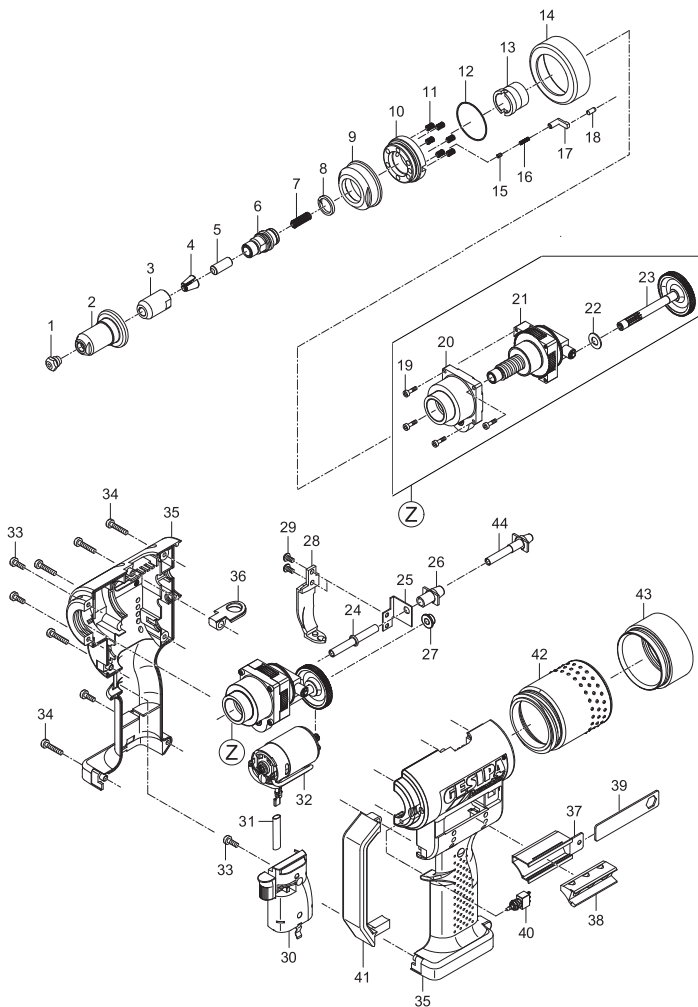
BATTERY POWERED BLIND RIVETING TOOLS

Bird series with spring-loaded trigger system

No.	Image	Description
1 •		Nosepiece 17/24
143 4973		Nosepiece 17/27
143 4974		Nosepiece 17/29
143 4975		Nosepiece 17/32
143 4977		Nosepiece 17/36
143 4999		Nosepiece 17/40
143 4860		Nosepiece 17/45
2		Steel head sleeve
3 •		Jaw housing
4 •	AccuBird®	Jaws (3-part)
	PowerBird®, PowerBird® GE	Jaws (3-part)
5 •	AccuBird®	Jaw pusher
	PowerBird®, PowerBird® GE	Jaw pusher
6	AccuBird®	Adapter
	PowerBird®, PowerBird® GE	Adapter
7 •	AccuBird®	Compression spring
	PowerBird®, PowerBird® GE	Compression spring
8		Wiper
9		Union nut
10		Adapter
11		Spring


No.	Image	Description
12		O-ring
13		Bushing
14		Cover
15		Stud bolt
16		Spring
17		Trigger
18		Cylinder pin
19		Allen screw
20		Bearing, complete
21	AccuBird®	Ball screw drive
	PowerBird®, PowerBird® GE	Ball screw drive
22		Stop disc
23		Pinion shaft
24		PB tube
25		Angle
26		PB tube short
27		Sintered-metal bushing
28		Magnetic holder
29		Magnetic holder
30		E control
31		Hose complete
32 •	AccuBird®	Motor, complete
	PowerBird®, PowerBird® GE	Motor, complete
33		Housing screw short
34		Housing screw long
35	AccuBird®	Housing, complete
	PowerBird®, PowerBird® GE	Housing, complete
36	AccuBird®	Hanger
	PowerBird®	Hanger
	PowerBird® GE	Hanger
37		Nosepiece magazine
38		Magazine insert
39		Key
40		Button
41		Hoop guard
42	AccuBird®, PowerBird®	Spent mandrel container, complete
	PowerBird® GE	Spent mandrel container, complete
43		Extension
44	AccuBird®	Plastic tube
		Safety lubrication grease 40 g tube
		Pipe wrench


• Wearing parts



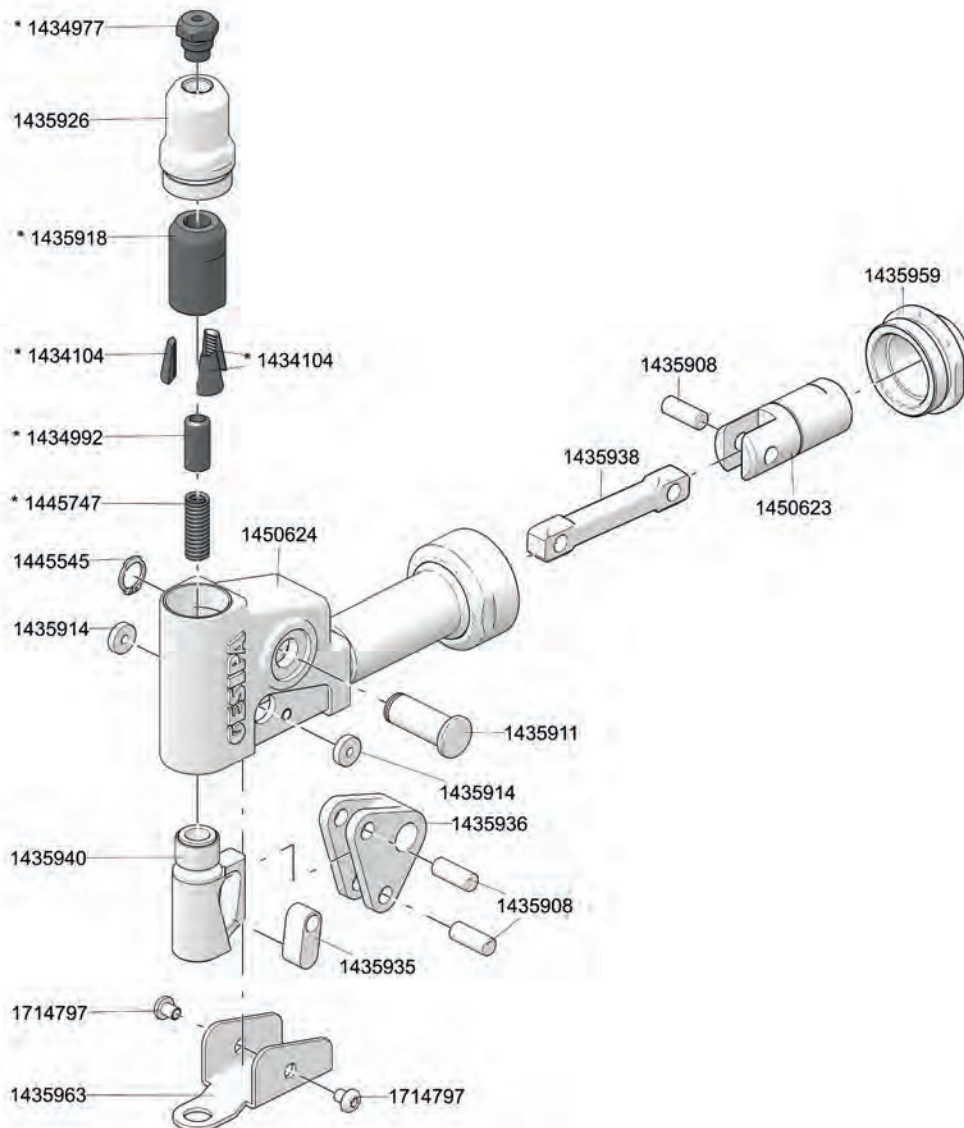
BATTERY POWERED BLIND RIVETING TOOLS

AccuBird® and PowerBird® angle head 90°

No.	
143 4104*	Jaws (3-part)
143 4977*	Nosepiece 17/36
143 4992*	Jaw pusher
143 5908	Bolt
143 5911	Axis bolt
143 5914	Spacer
143 5918*	Jaw housing
143 5926	Steel head sleeve
143 5935	Coupler
143 5936	Angle

No.	
143 5938	Guiding cable piece
143 5940	Lock activator
143 5959	Adapter
143 5963	Protecting cap
144 5545	Snap ring
144 5747*	Compression spring
171 4797	Oil screw
145 0623	Fork head
145 0624	Housing unit


* Wearing parts




* Wearing parts

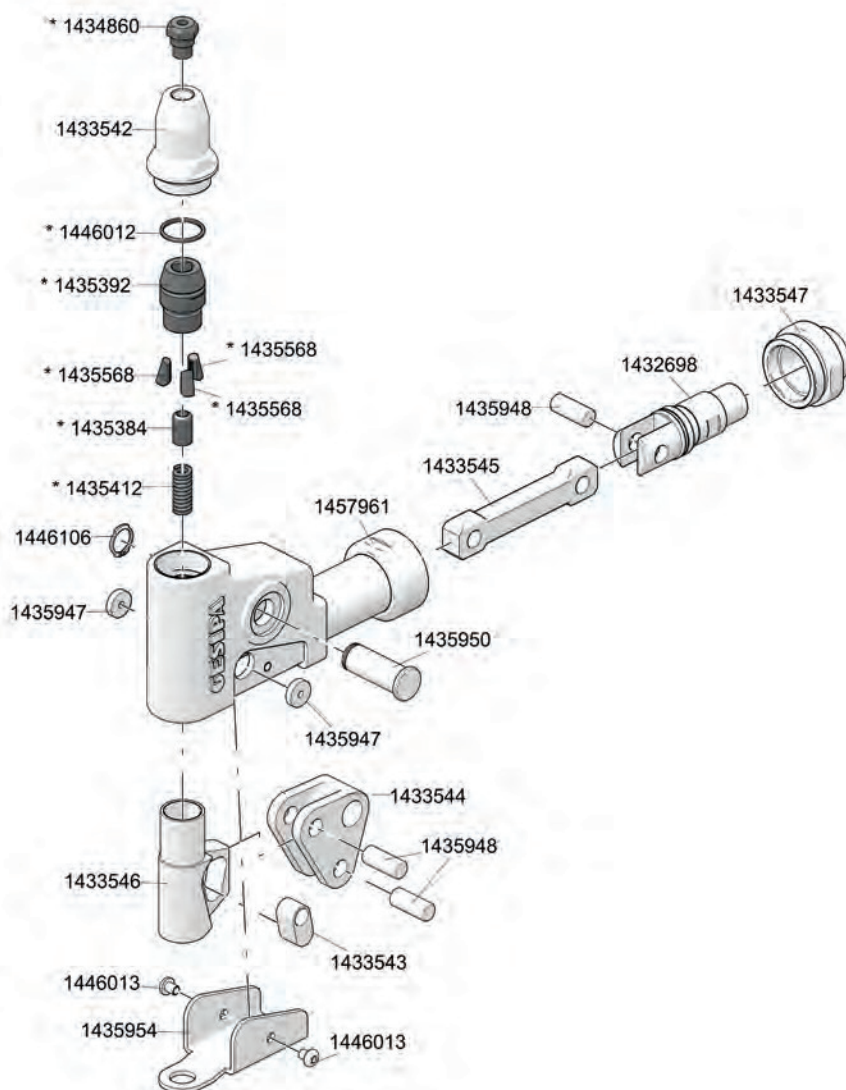
BATTERY POWERED BLIND RIVETING TOOLS

AccuBird® Pro and PowerBird® Pro angle head 90°

No.	
1434860*	Nosepiece 17/45
1432698	Fork head complete
1446012*	O ring
1435392*	Jaw Housing
1435568*	Jaw
1435384*	Jaw pusher
1435412*	Compression spring
1433542	Steel head sleeve
1433543	Coupler
1433544	Angle


No.	
1433545	Guiding cable piece
1433546	Lock activator
1433547	Adapter
1435947	Spacer
1435948	Bolt
1435950	Axis bolt
1435954	Protecting cap
1446106	Snap ring
1446013	Oil screw plug
1457961	Housing unit

* Wearing parts

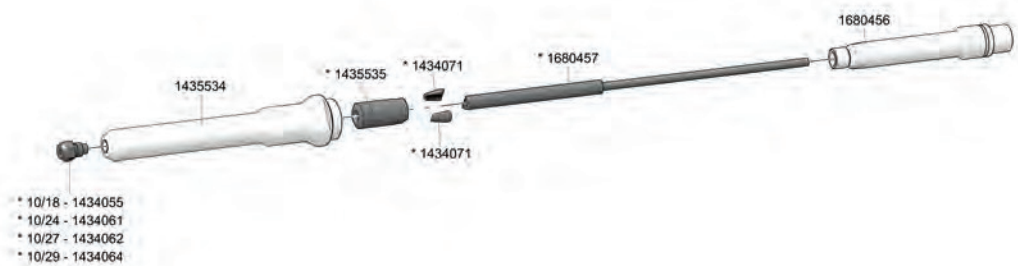


Small jaw assembly Bird Pro CAS

Article no. 168 0455

No.	
143 4055*	Nosepiece 10/18
143 4061*	Nosepiece 10/24
143 4062*	Nosepiece 10/27
143 4064*	Nosepiece 10/29
143 5534	Steel head sleeve
143 5535*	Jaw housing
143 4071*	Jaws 2-part
168 0457*	Jaw pusher
168 0456	Extension complete



* Wearing parts

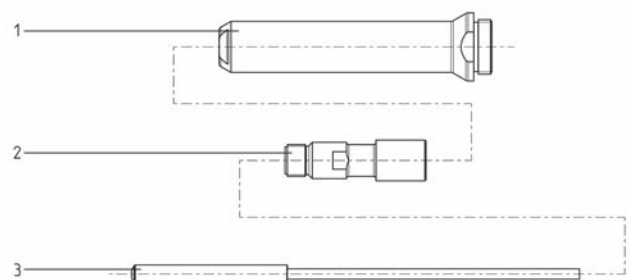


One-piece extension units

Extension unit for AccuBird®



50 mm: Article no. 145 7273
 100 mm: Article no. 145 7274
 150 mm: Article no. 145 0622

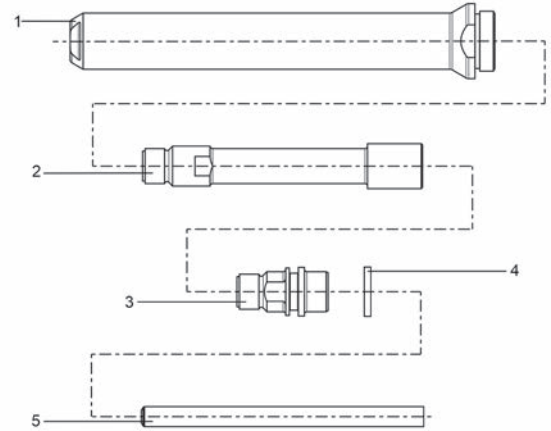
		No.	
50 mm	1	143 4836	Steel head sleeve
	2	143 4837	Extension piece
	3	143 4903	Jaw pusher
100 mm	1	143 4839	Steel head sleeve
	2	143 4840	Extension piece
	3	143 4996	Jaw pusher
150 mm	1	143 4841	Steel head sleeve
	2	143 4842	Extension piece
	3	143 4905	Jaw pusher





ACCESSORIES FOR BATTERY POWERED BLIND RIVETING TOOLS

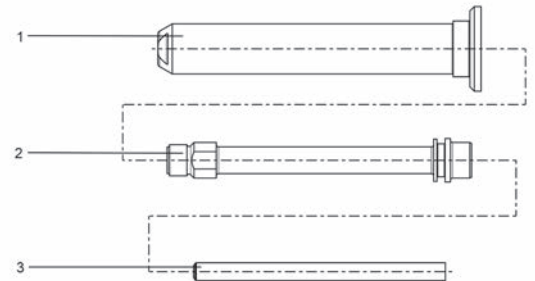
Extension unit for PowerBird® - while stocks last

		No.	
50 mm	1	143 4836	Steel head sleeve
	2	143 4837	Extension piece
	3	143 4957	Adapter
	4	143 4966	Wiper
	5	143 4838	Jaw pusher
100 mm	1	143 4839	Steel head sleeve
	2	143 4840	Extension piece
	3	143 4957	Adapter
	4	143 4966	Wiper
	5	143 4870	Jaw pusher
150 mm	1	143 4841	Steel head sleeve
	2	143 4842	Extension piece
	3	143 4957	Adapter
	4	143 4966	Wiper
	5	143 4843	Jaw pusher



Extension unit for PowerBird® spring loaded trigger system - while stocks last

		No.	
50 mm	1	143 4832	Steel head sleeve
	2	143 4833	Extension piece
	3	143 4834	Jaw pusher
100 mm	1	143 4849	Steel head sleeve
	2	143 4850	Extension piece
	3	143 4870	Jaw pusher




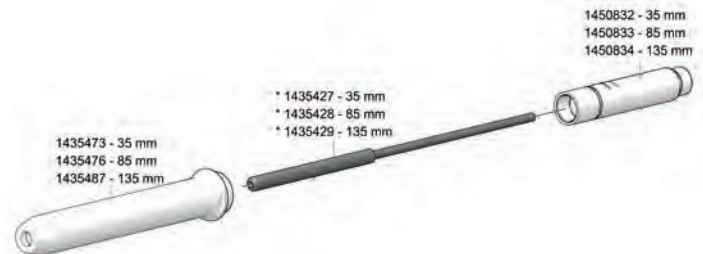
ACCESSORIES FOR BATTERY POWERED BLIND RIVETING TOOLS

One-piece extension units

Extension unit for AccuBird® Pro


+35 mm:	Article no.	145 0860
+85 mm:	Article no.	145 0861
+135 mm:	Article no.	145 0862

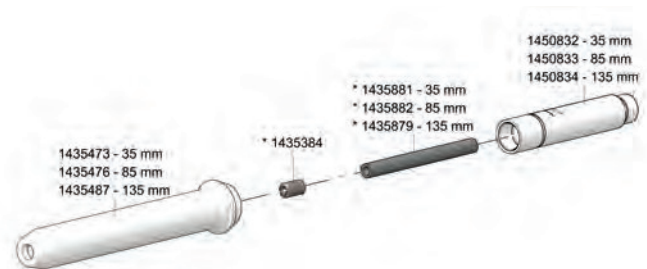
	No.	
+35 mm	143 5473	Extension sleeve
	145 0832	Extension piece
	143 5427	Jaw pusher
+85 mm	143 5476	Extension sleeve
	145 0833	Extension piece
	143 5428	Jaw pusher
+135 mm	143 5487	Extension sleeve
	145 0834	Extension piece
	143 5429	Jaw pusher



Extension unit for PowerBird® Pro Gold Edition


+35 mm:	Article no.	145 7650
+85 mm:	Article no.	145 7651
+135 mm:	Article no.	145 0823

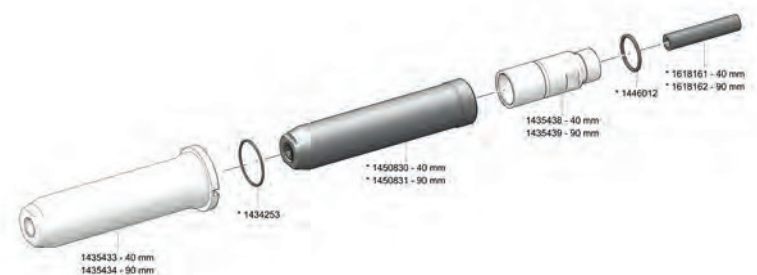
	No.	
+35 mm	143 5473	Extension sleeve
	145 0832	Jaw pusher
	143 5881	Extension piece
	143 5384	Jaw pusher
+85 mm	143 5476	Extension sleeve
	145 0833	Jaw pusher
	143 5882	Extension piece
	143 5384	Jaw pusher
+135 mm	143 5487	Extension sleeve
	145 0834	Jaw pusher
	143 5879	Extension piece
	143 5384	Jaw pusher



Extension unit for PowerBird® Pro Gold Edition spring loaded trigger system


+40 mm:	Article no.	145 0821
+90 mm:	Article no.	145 0822

	No.	
+40 mm	143 5433	Steel head sleeve AV
	143 4253	O-ring
	145 0830	Support sleeve AV complete
	143 5438	Adapter
	161 8161	Intermediate bush 1
	144 6012	O-ring
+90 mm	143 5434	Steel head sleeve AV
	143 4253	O-ring
	145 0831	Support sleeve AV complete
	143 5439	Adapter
	161 8162	Intermediate bush 1
	144 6012	O-ring



!

Extension units also suitable for the new CAS tools.



ACCESSORIES FOR BATTERY POWERED BLIND RIVETING TOOLS

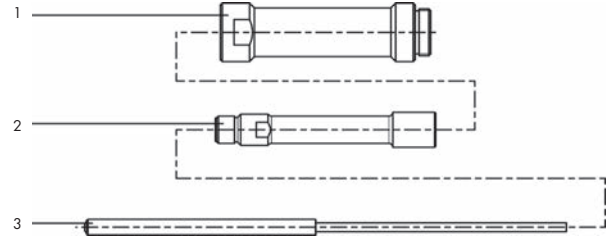
Multi-piece extension units

arbitrary extension of the tool head in 100 mm steps

AccuBird® extension unit 100 mm - while stocks last

Article no. 145 7318

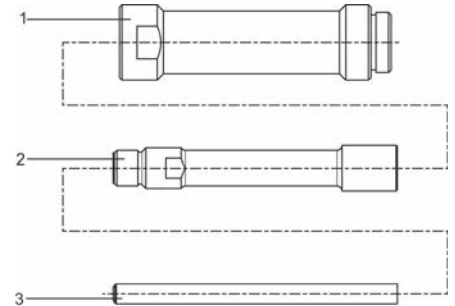
No.	No.	
1	143 4995	Extension sleeve
2	143 4165	Extension piece
3	143 4996	Jaw pusher



PowerBird® extension unit 100 mm - while stocks last

Article no. 145 7229

No.	No.	
1	143 4995	Extension sleeve
2	143 4165	Extension piece
3	143 4870	Jaw pusher



AccuBird® Pro extension unit 100 mm

Article no. 145 0859

No.	
143 4995	Extension sleeve
162 3993	Adapter
143 5430	Jaw pusher




PowerBird® Pro Gold Edition extension unit 100 mm

Article no. 145 0820

No.	
1435384	Jaw pusher
1435903	Intermediate bush
1623993	Adapter
1434995	Extension sleeve

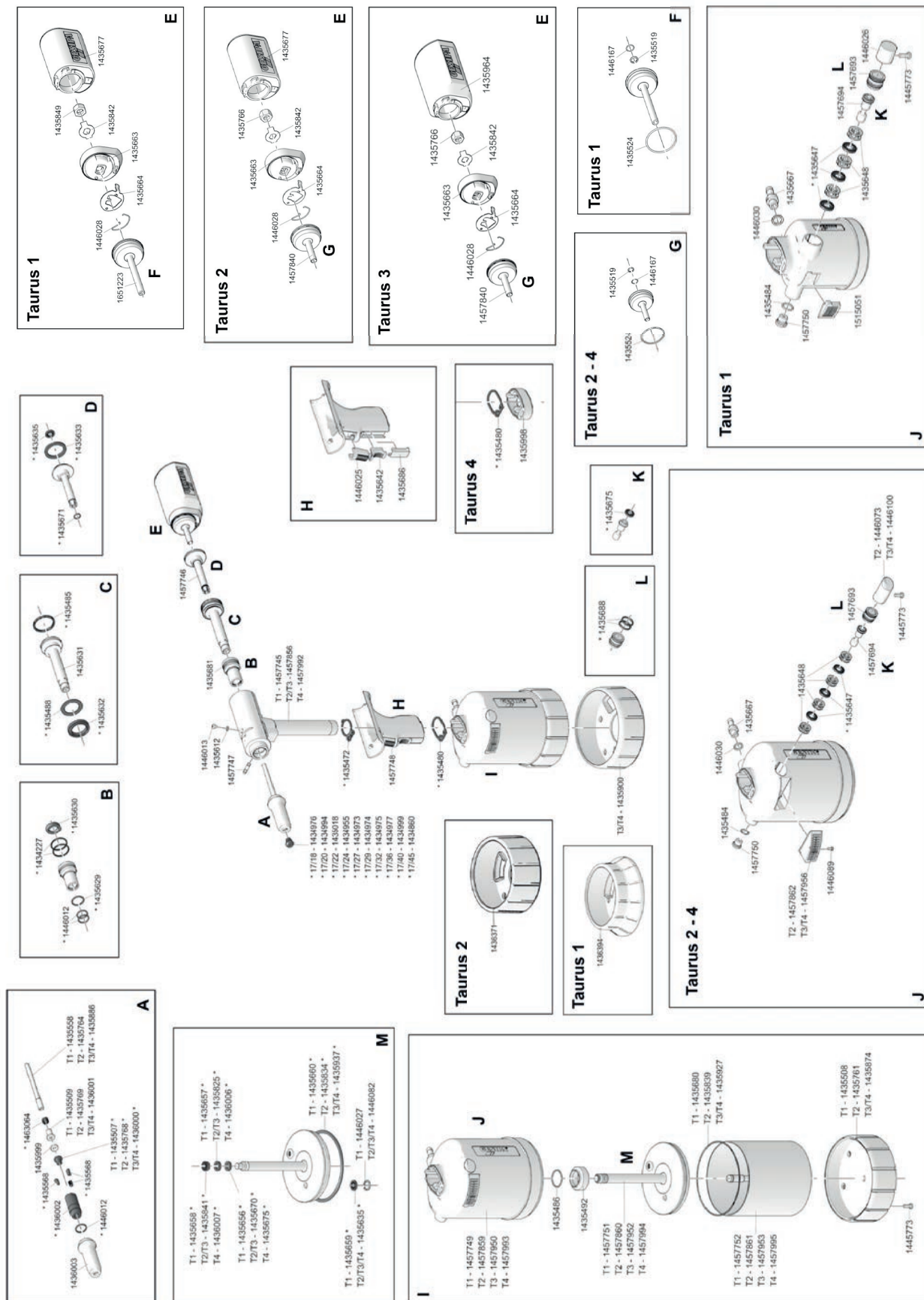


! Extension units also suitable for the new CAS tools.





HYDRO-PNEUMATIC BLIND RIVET SETTING TOOLS



TAURUS[®] 1-4



HYDRO-PNEUMATIC BLIND RIVET SETTING TOOLS

TAURUS® 1-4

	No.	
	1434227*	O ring
T3,T4	1434860*	Nosepiece 17/45
T2	1434955*	Nosepiece 17/24
T2	1434973*	Nosepiece 17/27
T2	1434974*	Nosepiece 17/29
T2	1434975*	Nosepiece 17/32
T1	1434976*	Nosepiece 17/18
T3,T4	1434977*	Nosepiece 17/36
T1	1434994*	Nosepiece 17/20
T3,T4	1434999*	Nosepiece 17/40
T1	1435018*	Nosepiece 17/22
	1435472*	Flat gasket
	1435480*	Flat gasket
	1435484	O ring
	1435485*	Piston Seal
	1435486	O ring
	1435488*	Supporting ring
	1435492	Al nut
T1	1435507*	Jaw Pusher
T1	1435508	Bottom
T1	1435509	Centre part
	1435519	O ring
	1435524	O ring
T1	1435558	Nozzle tube
	1435568*	Jaws
	1435612	Sealing ring
	1435629*	O ring
	1435630*	Rod seal
	1435631	Draw bar
	1435632*	Piston seal
	1435633*	Piston seal
	1435635*	Rod seal
	1435642	Slider
	1435647*	Rod seal
	1435648	Spacer cage
T1	1435656*	Piston seal
T1	1435657*	Guide ring
T1	1435658*	Piston seal
T1	1435659*	Rod seal
T1	1435660*	O ring
	1435663	Adapter
	1435664	Retainer
	1435667	Connecting nipple
T2, T3	1435670*	Piston seal
	1435671*	O ring
	1435675*	Piston seal
T1, T2	1435677	Spent mandrel container, complete
T1	1435680	O ring
	1435681	Seal holder, complete
	1435686	Orifice
	1435688*	O ring
T2	1435761	Bottom
T2	1435764	Nozzle tube
T2, T3, T4	1435766	Connecting piece nut
T2	1435768*	Jaw Pusher
T2	1435769	Centre part
T2, T3	1435825*	Guide ring
T2, T3	1435834*	O ring
T2	1435839	O ring
T2, T3	1435841*	Piston seal
	1435842	Lock washer
T1	1435849	Connecting piece nut
T3,T4	1435874	Bottom

	No.	
T3,T4	1435886	Nozzle tube
T3, T4	1435900	Rubber foot
T3, T4	1435927	O ring
T4	1435937*	O ring
T3, T4	1435964	Spent mandrel container, complete
	1435998	Grip extension
	1435999	Damping ring
T3,T4	1436000*	Jaw Pusher
T3,T4	1436001	Centre part
	1436002*	Jaw housing
	1436003	Steel head sleeve
T4	1436006*	Guide ring
T4	1436007*	Piston seal
T2	1436371	Rubber foot
FF 1, T1	1436394	Rubber foot
	1445773	Housing screw, short
	1446012*	O ring
	1446013	Oil screw plug
	1446025	Activation button
T1	1446026	Stopper
T1	1446027	Snap ring
	1446028	Retaining spring
	1446030	Sealing ring
T2	1446073	Stopper
T2, T3, T4	1446082	Snap ring
T2, T3, T4	1446089	Screw
T3,T4	1446100	Stopper
	1446167	Snap ring
	1457693	Piston housin complete
	1457694	Control piston complete
T1	1457745	Tool head, assembled
	1457746	Resetting piston, complete
	1457747	Distributing valve, complete
	1457748	Grip complete
T1	1457749	Air cylinder, complete
	1457750	Pressure relief valve, complete
T1	1457751	Air piston, complete
T1	1457752	Cylinder complete
T2, T3, T4	1457840	End cap
T2	1457856	Tool head, assembled
T2	1457859	Air cylinder, complete
T2	1457860	Air piston, complete
T2	1457861	Cylinder complete
T2	1457862	Silencer complete
T3	1457950	Air cylinder, complete
T3	1457952	Air piston, complete
T3	1457953	Cylinder complete
T3,T4	1457956	Silencer complete
T4	1457992	Tool head, assembled
T4	1457993	Air cylinder, complete
T4	1457994	Air piston, complete
T4	1457995	Cylinder complete
	1463064*	Spring
T1	1515051	Silencer complete
T1	1651223	End cap

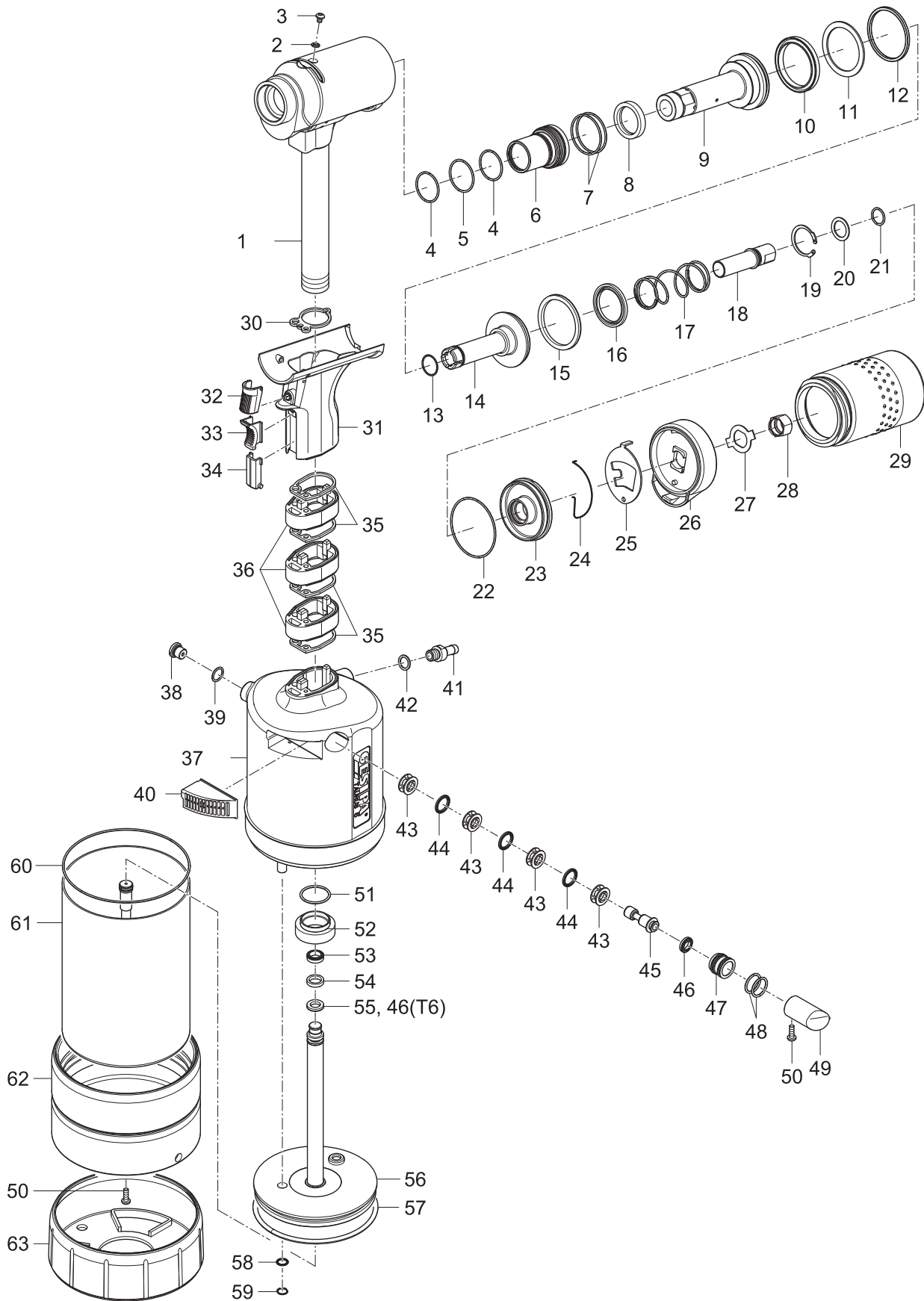
* Wearing parts



You will find spare part kits from page 371.
You will find detailed nosepiece allocation tables from page 134.


HYDRO-PNEUMATIC BLIND RIVETING TOOLS




TAURUS® 5-6



HYDRO-PNEUMATIC BLIND RIVETING TOOLS

TAURUS® 5-6

		No.	
1	T5	145 8010	Tool head 5, assembled
	T6	145 8023	Tool head 6, assembled
2		143 5612	Sealing ring M4
3		144 6013	Oil screw plug
4		143 6044	O-ring
5 •		143 6045	O-ring
6		145 8011	Seal holder, complete
7 •		143 6047	O-ring
8 •		143 6048	Rod seal
9		143 6036	Draw bar
10 •		143 6049	Cylinder seal
11 •		143 6052	Supporting ring
12 •		143 6051	Piston seal
13		143 6046	O-ring
14		145 8012	Resetting piston, complete
15		143 6050	Lip ring
16 •		143 6053	Rod seal
17		144 6123	Spring
18		143 6030	Connecting piece
19		144 6124	V-profile ring
20		144 6125	Washer
21		143 6042	O-ring
22		143 6043	O-ring
23		143 6034	End cap
24		144 6122	Retaining spring
25		143 6026	Retainer
26		143 6028	Adapter
27		143 6025	Lock washer
28		143 6029	Connecting piece nut
29		143 6058	Spent mandrel container, complete
30 •		143 5472	Flat gasket 1
31		145 7748	Grip, complete
32		144 6025	Activation button
33		143 5642	Slider
34		143 5686	Orifice
35 •		143 5480	Flat gasket 2
36		143 5998	Grip extension

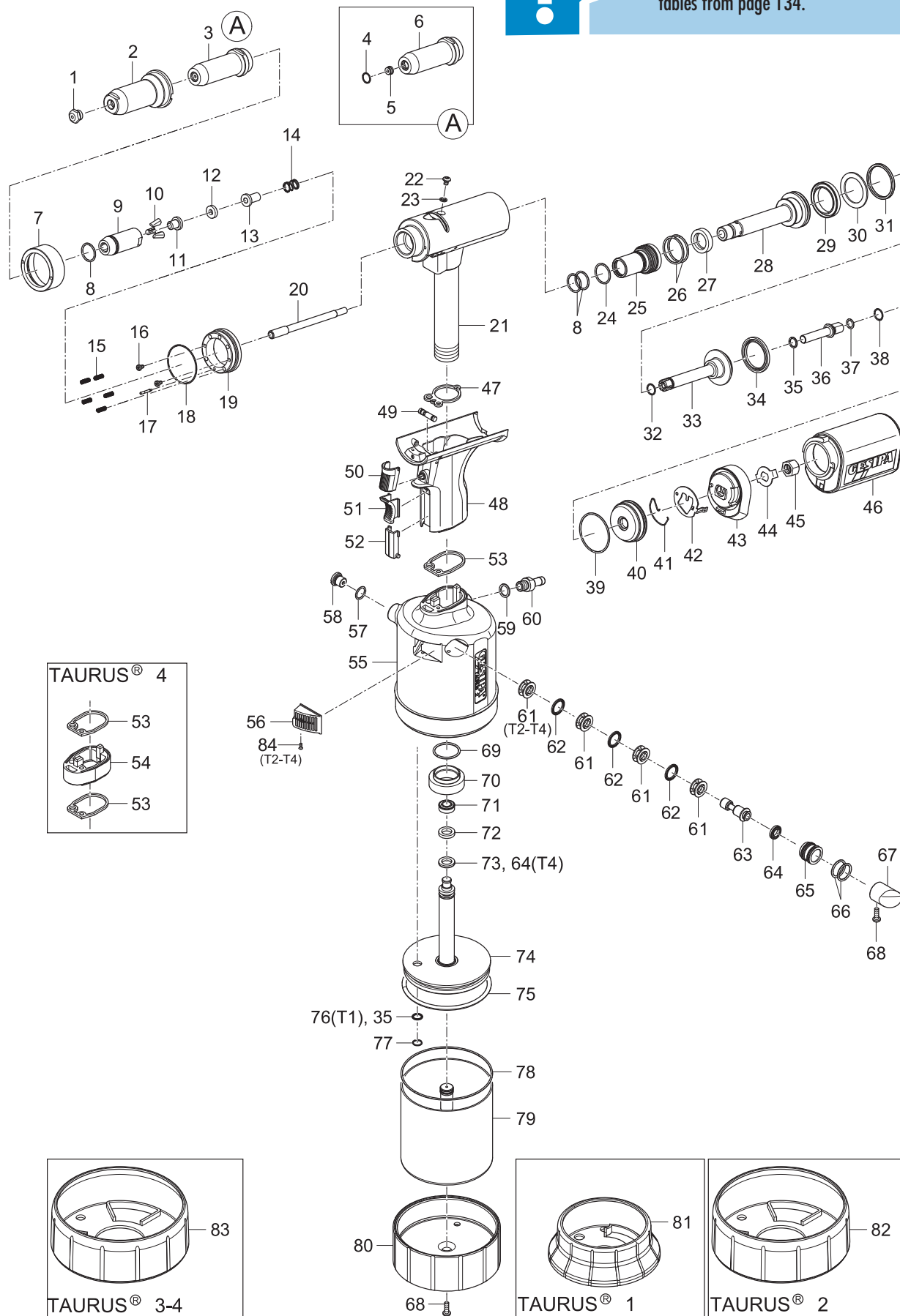
		No.	
37	T5	145 8013	Air cylinder 5, complete
	T6	146 4043	Air cylinder 6, complete
38		145 7750	Pressure relief valve, complete
39		143 5484	O-ring
40		145 7956	Silencer 3, complete
41		144 6030	Seal
42		143 5667	Connecting nipple
43		143 5648	Spacer cage
44		143 5647	Rod seal
45		143 5651	Control piston
46 •		143 5675	Piston seal
47		143 5652	Piston housing
48		143 5688	O-ring
49		144 5773	Housing screw, short
50		144 6100	Stopper 3
51		143 5486	O-ring
52		143 5492	Al nut
53 •	T5	143 6056	Cylinder seal
	T6	143 6007	Piston seal
54 •	T5	143 6040	Guide ring 5
	T6	143 6006	Guide ring 4
55 •	T5	143 6055	Lip ring
56	T5	145 8015	Air piston 5, complete
	T6	145 8024	Air piston 6, complete
57 •		143 5937	O-ring
58		143 5635	Rod seal
59		144 6082	V-profile ring
60		143 5927	O-ring
61	T5	145 8014	Cylinder 5, complete
	T6	146 4044	Cylinder 6, complete
62		143 6027	Al bottom
63		143 5900	Rubber foot
		144 5294	Hydraulic oil refill bottle, 100 ml

• Wearing parts

HYDRO-PNEUMATIC BLIND RIVETING TOOLS




TAURUS® 1-4 AV




! You will find detailed nosepiece allocation tables from page 134.



HYDRO-PNEUMATIC BLIND RIVETING TOOLS

TAURUS® 1-4 AV

		No.	
1 •	T1	143 5591	Nosepiece 17/18 AV
		143 4990	Nosepiece 17/20 AV
		143 4991	Nosepiece 17/22 AV
	T2	143 5592	Nosepiece 17/24 AV
		143 5593	Nosepiece 17/27 AV
		143 5594	Nosepiece 17/29 AV
		143 5595	Nosepiece 17/32 AV
		143 5596	Nosepiece 17/36 AV
	T3, T4	143 5597	Nosepiece 17/40 AV
		143 5598	Nosepiece 17/45 AV
2		143 5466	Steel head sleeve
3	T1	145 0887	Support sleeve AV complete
	T2	145 0943	Support sleeve AV complete
	T3, T4	145 0978	Support sleeve AV complete
4 •		144 6010	Snap ring
5 •	T1	143 5599	Nosepiece Ø 2,5
	T2	143 5600	Nosepiece Ø 3,2
	T3, T4	143 5601	Nosepiece Ø 4,5
6		143 5467	Support sleeve AV
7		143 5499	Union nut
8		144 6012	O-ring
9		143 6002	Jaw housing 4
10 •		143 5568	Jaws (3-part)
11 •	T1	143 5507	Jaw Pusher 1
	T2	143 5768	Jaw Pusher 2
	T3, T4	143 6000	Jaw Pusher 4
12		143 5999	Damping ring 4
13	T1	143 5509	Centre part 1
	T2	143 5769	Centre part 2
	T3, T4	143 6001	Centre part 4
14 •		146 3064	Spring
15 •		144 5994	Spring
16		144 5995	Allen screw
17		152 4521	Stamp
18		143 5529	O-ring
19		143 5498	Casing
20	T1	143 5558	Nozzle tube 1
	T2	143 5764	Nozzle tube 2, long
	T3, T4	143 5886	Nozzle tube 3, long
21	T1	145 7696	Tool head, assembled
	T2, T3	145 7842	Tool head, assembled
	T4	145 7996	Tool head, assembled
22		144 6013	Oil screw plug
23		143 5612	Sealing ring M4
24 •		143 5629	O-ring
25		143 5681	Seal holder, complete
26 •		143 4227	O-ring
27 •		143 5630	Rod seal
28		143 5631	Draw bar
29 •		143 5632	Piston seal
30 •		143 5488	Supporting ring
31 •		143 5485	Piston seal
32 •		143 5671	O-ring
33		145 7746	Resettling piston, complete
34 •		143 5633	Piston seal
35 •		143 5635	Rod seal
36	T1	143 5852	Connecting piece 1
	T2, T3, T4	143 5765	Connecting piece 2/3
37		143 5519	O-ring
38		144 6167	Snap ring
39		143 5524	O-ring
40		143 5532	End cap
41		144 6028	Retaining spring
42		143 5664	Retainer
43		143 5663	Adapter
44		143 5842	Lock washer
45	T1	143 5849	Connecting piece nut 1
	T2, T3, T4	143 5766	Connecting piece nut 2/3


		No.	
46	T1, T2	143 5677	Spent mandrel container, complete
	T3, T4	143 5964	Spent mandrel container, complete
47 •		143 5472	Flat gasket 1
48		145 7695	Grip, complete
49		145 7747	Distributing valve
50		144 6025	Activation button
51		143 5642	Slider
52		143 5686	Orifice
53 •		143 5480	Flat gasket 2
54		143 5998	Grip extension
55	T1	145 7749	Air cylinder, complete
	T2	145 7859	Air cylinder, complete
	T3	145 7950	Air cylinder, complete
	T4	145 7993	Air cylinder, complete
56	T1	151 5051	Silencer complete
	T2	145 7862	Silencer complete
	T3, T4	145 7956	Silencer complete
57		145 7750	Pressure relief valve
58		143 5484	O-ring
59		143 5667	Connecting nipple
60		144 6030	Sealing ring
61		143 5648	Spacer cage
62 •		143 5647	Rod seal
63		143 5651	Control piston
64 •		143 5675	Piston seal
65		143 5652	Piston housing
66 •		143 5688	O-ring
67	T1	144 6026	Stopper 1
	T2	144 6073	Stopper 2
	T3, T4	144 6100	Stopper 3
68		144 5773	Housing screw short
69		143 5486	O-ring
70		143 5492	Alu nut
71 •	T1	143 5658	Piston seal
	T2, T3	143 5841	Piston seal
	T4	143 6007	Piston seal
72 •	T1	143 5657	Guide ring
	T2, T3	143 5825	Guide ring
	T4	143 6006	Guide ring
73 •	T1	143 5656	Piston seal
	T2, T3	143 5670	Piston seal
74	T1	145 7751	Air piston complete
	T2	145 7860	Air piston complete
	T3	145 7952	Air piston complete
	T4	145 7994	Air piston complete
75 •	T1	143 5660	O-ring
	T2	143 5834	O-ring
	T3, T4	143 5937	O-ring
76		143 5659	Rod seal
77	T1	144 6027	Snap ring
	T2, T3, T4	144 6082	V-ring
78	T1	143 5680	O-ring
	T2	143 5839	O-ring
	T3, T4	143 5927	O-ring
79	T1	145 7752	Cylinder complete
	T2	145 7861	Cylinder complete
	T3	145 7953	Cylinder complete
	T4	145 7995	Cylinder complete
80	T1	143 5508	Bottom
	T2	143 5761	Bottom
	T3, T4	143 5874	Bottom
81		143 6394	Rubber foot
82		143 6371	Rubber foot
83		143 5900	Rubber foot
84		144 6089	Screw
		144 5294	Hydraulic oil refill bottle 100 ml

• Wearing parts

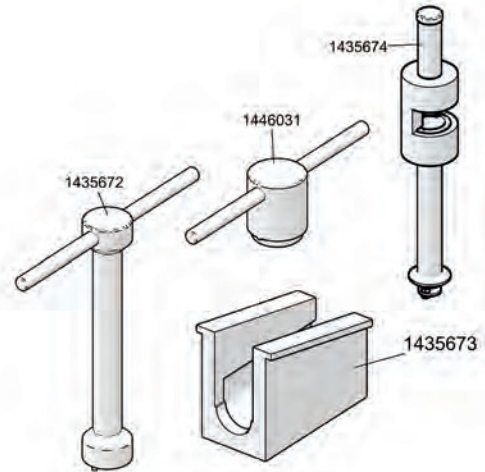
ACCESSORIES FOR TAURUS® BLIND RIVETING TOOLS

Repair tools for TAURUS®

Part no. 145 7735

No.	
143 5672*	Allen key
143 5673	Clamp element for Taurus tool head
143 5674*	Assembly device
144 6031*	Slot wrench

*These tools are also suitable for FireFox® 1 F - 2




Changeover set spent mandrel container

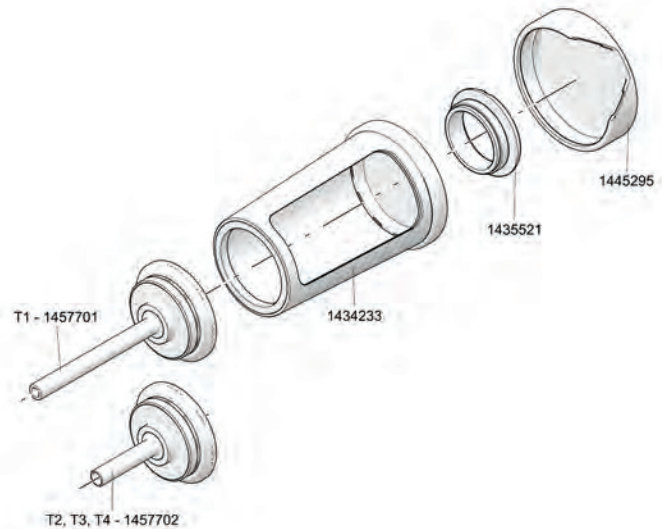
for TAURUS® 1:

Part no. 145 7700

for TAURUS® 2,3,4:

Part no. 145 7703



No.	
143 4233	Spent mandrel container
143 5521	Cover
144 5295	Air deflector
145 7701	End cap T 1, complete
145 7702	End cap T 2, 3 and 4, complete

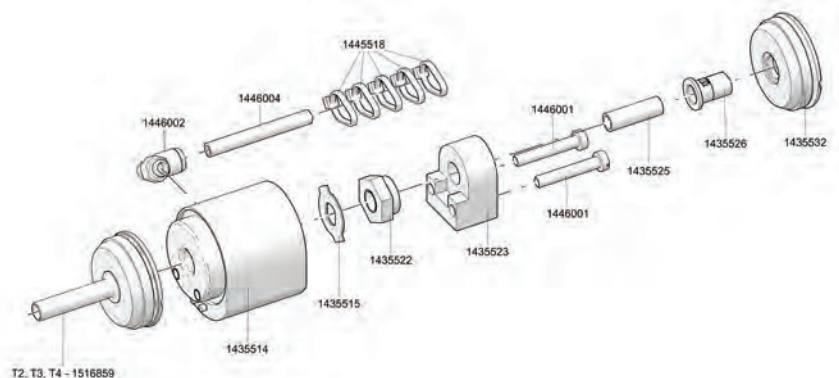


Rivet counter sensor changeover set for TAURUS® 1-4

for TAURUS® 1 Part no. 145 7698

for TAURUS® 2-4 Part no. 151 6858

	No.	
	143 5514	Housing
	143 5515	Locking washer
	143 5522	Nut
	143 5523	Ring sensor
	143 5525	Tube
	143 5526	Connecting piece
	143 5532	End cap
	144 5518	Cable tie
	144 6001	Allen screw
	144 6002	Screw connection
	144 6004	Hose
T2, T3, T4	151 6859	End cap






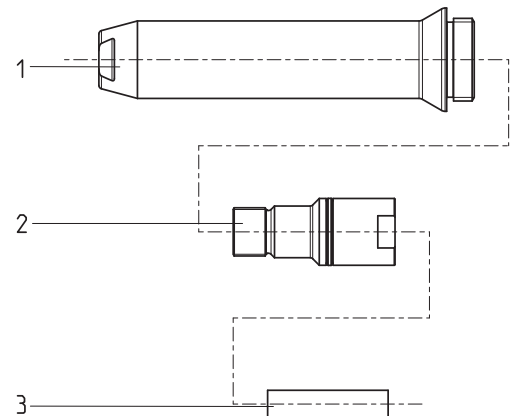
ACCESSORIES FOR TAURUS® BLIND RIVETING TOOLS

One-piece extension units

Extension unit for TAURUS® 1- 4

for TAURUS® 1	+35 mm:	Part no. 146 4345
for TAURUS® 1	+85 mm:	Part no. 146 4346
for TAURUS® 1	+135 mm:	Part no. 146 4347
for TAURUS® 2	+35 mm:	Part no. 145 8042
for TAURUS® 2	+85 mm:	Part no. 146 4350
for TAURUS® 2	+135 mm:	Part no. 146 4351
for TAURUS® 2	+185 mm:	Part no. 146 4352
for TAURUS® 3 and 4	+35 mm:	Part no. 145 7932
for TAURUS® 3 and 4	+85 mm:	Part no. 145 7933
for TAURUS® 3 and 4	+135 mm:	Part no. 145 7937

			No.	
TAURUS® 1	+35 mm	1	143 5473	Steel head sleeve
		2	145 7938	Adapter
		3	146 4338	Jaw pusher
	+85 mm	1	143 5476	Steel head sleeve
		2	145 7939	Adapter
		3	146 4339	Jaw pusher
	+135 mm	1	143 5487	Steel head sleeve
		2	143 5890	Adapter
		3	143 5544	Jaw pusher
TAURUS® 2	+35 mm	1	143 5473	Steel head sleeve
		2	145 7938	Adapter
		3	143 6100	Jaw pusher
	+85 mm	1	143 5476	Steel head sleeve
		2	145 7939	Adapter
		3	143 5819	Jaw pusher
	+135 mm	1	143 5487	Steel head sleeve
		2	143 5890	Adapter
		3	143 5792	Jaw pusher
	+185 mm	1	143 5801	Steel head sleeve
		2	146 4343	Adapter
		3	146 4340	Jaw pusher
TAURUS® 3 - 4	+35 mm	1	143 5473	Steel head sleeve
		2	145 7938	Adapter
		3	143 5881	Jaw pusher
	+85 mm	1	143 5476	Steel head sleeve
		2	145 7939	Adapter
		3	143 5882	Jaw pusher
	+135 mm	1	143 5487	Steel head sleeve
		2	143 5890	Adapter
		3	143 5879	Jaw pusher



ACCESSORIES FOR TAURUS® BLIND RIVETING TOOLS

One-piece extension units

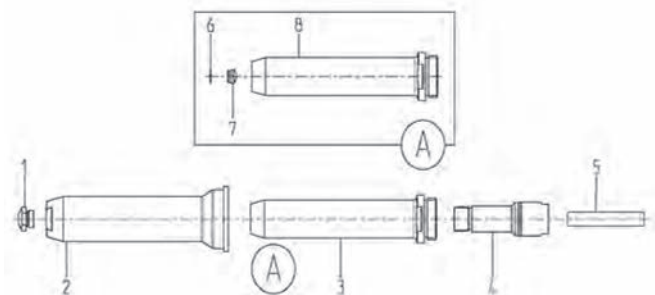
Extension unit for TAURUS® 1- 4 with spring-loaded trigger system

for TAURUS® 1	50 mm:	Part no.	145 0880
for TAURUS® 1	100 mm:	Part no.	145 7727
for TAURUS® 2	50 mm:	Part no.	145 7857
for TAURUS® 2	100 mm:	Part no.	145 7858
for TAURUS® 3 and 4	50 mm:	Part no.	145 7959
for TAURUS® 3 and 4	100 mm:	Part no.	145 7960

			No.		
TAURUS® 1	50 mm	1	143 5591	Nosepiece 17/18 AV	
			143 4990	Nosepiece 17/20 AV	
			143 4991	Nosepiece 17/22 AV	
		2	143 5870	Steel head sleeve AV	
		3	145 0888	Support sleeve AV,complete	
		4	145 7737	Adapter, complete	
		5	143 5553	Intermediate bush 1	
		6	144 6010	Snap ring	
		7 •	143 5599	Nosepiece	
		8	143 5871	Support sleeve AV,complete	
		100 mm	1	143 5591	Nosepiece 17/18 AV
				143 4990	Nosepiece 17/20 AV
				143 4991	Nosepiece 17/22 AV
			2	143 5872	Steel head sleeve AV
			3	145 0889	Support sleeve AV,complete
			4	145 7739	Adapter, complete
	5		143 5556	Intermediate bush 1	
	6		144 6010	Snap ring	
	7 •	143 5599	Nosepiece		
	8	143 5873	Support sleeve AV,complete		

			No.		
TAURUS® 3 - 4	50 mm	1	143 5596	Nosepiece 17/36 AV	
			143 5597	Nosepiece 17/40 AV	
			143 5598	Nosepiece 17/45 AV	
		2	143 5870	Steel head sleeve AV	
		3	145 0979	Support sleeve AV,complete	
		4	145 7737	Adapter, complete	
		5	143 5902	Intermediate bush 3/4	
		6	144 6010	Snap ring	
		7 •	143 5601	Nosepiece	
		8	143 5871	Support sleeve AV,complete	
		100 mm	1	143 5596	Nosepiece 17/36 AV
				143 5597	Nosepiece 17/40 AV
				143 5598	Nosepiece 17/45 AV
			2	143 5872	Steel head sleeve AV
			3	145 0980	Support sleeve AV,complete
			4	145 7739	Adapter, complete
	5		143 5903	Intermediate bush 3/4	
	6		144 6010	Snap ring	
	7 •	143 5601	Nosepiece		
	8	143 5873	Support sleeve AV,complete		

• Wearing parts






ACCESSORIES FOR TAURUS® BLIND RIVETING TOOLS

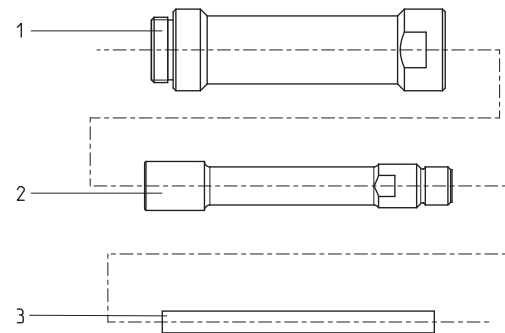
Multi-piece extension units

arbitrary extension of the tool head in 100 mm steps

Extension modules for TAURUS® 1- 4

for TAURUS® 1: Part no. 145 7743
 for TAURUS® 2: Part no. 145 7848
 for TAURUS® 3 and 4: Part no. 145 7947



		No.	
TAURUS® 1	1	143 4995	Extension sleeve
	2	143 4165	Extension piece
	3	143 5556	Intermediate bush
TAURUS® 2	1	143 4995	Extension sleeve
	2	143 4165	Extension piece
	3	143 5797	Intermediate bush
TAURUS® 3 - 4	1	143 4995	Extension sleeve
	2	143 4165	Extension piece
	3	143 5903	Intermediate bush

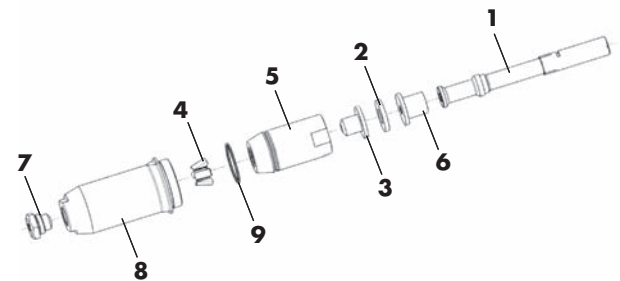


Heads for TAURUS® 5-6

for 7.8mm (5/16") TIBULB structure rivet

Part no. 145 8008



	No.	
1	145 8016	Nozzle tube, complete
2	143 6064	Damping ring
3 •	143 6068	Jaw pusher
4 •	178 1774	Jaws
5 •	143 6070	Jaw housing
6	143 6069	Centre part
7 •	143 6067	Nosepiece 18/53
8	143 6059	Steel head sleeve
9 •	143 6044	O-ring

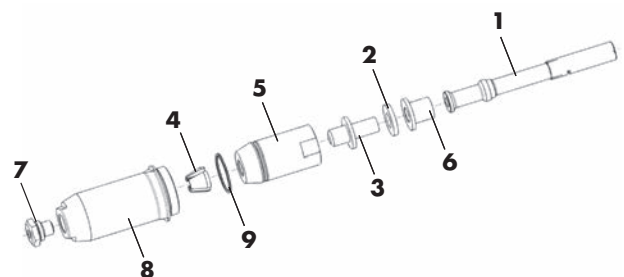


• Wearing parts

for 9.8mm (3/8") Magna-Lok® structure rivet

Artikel-Nr. 145 8009

	No.	
1	143 6065	Nozzle tube, complete
2	143 6064	Damping ring
3 •	143 6061	Jaw pusher
4 •	143 6066	Jaws, 3-part
5 •	143 6063	Jaw housing
6	143 6062	Centre part
7 •	143 6060	Nosepiece 18/63
8	143 6059	Steel head sleeve
9 •	143 6044	O-ring




• Wearing parts

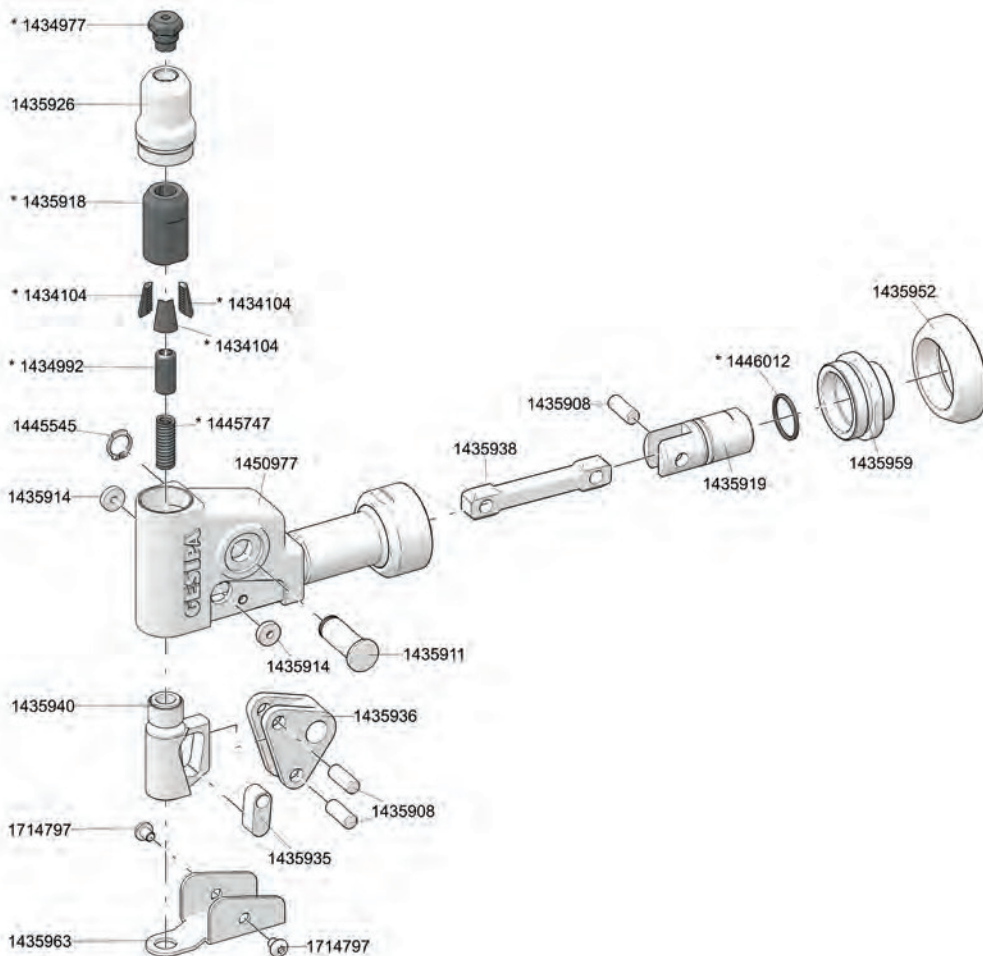
Angle heads for TAURUS® blind rivet setting tools

Angle head 90° compact for TAURUS® 1-2

Part no. 145 7921

No.	
143 4104*	Jaws (3-part)
143 4977*	Nosepiece 17/36
143 4992*	Jaw Pusher
143 5908	Bolt
143 5911	Axis bolt
143 5914	Spacer
143 5918*	Jaw housing
143 5919	Fork head
143 5926	Steel head sleeve
143 5935	Coupler
143 5936	Angle
143 5938	Lock activator
143 5940	Lock activator
143 5952	Ring
143 5959	Adapter
143 5963	Protecting cap
144 5545	Snap ring
144 5747*	Spring
144 6012*	O-ring
171 4797	Screw
145 0977	Housing



* Wearing parts



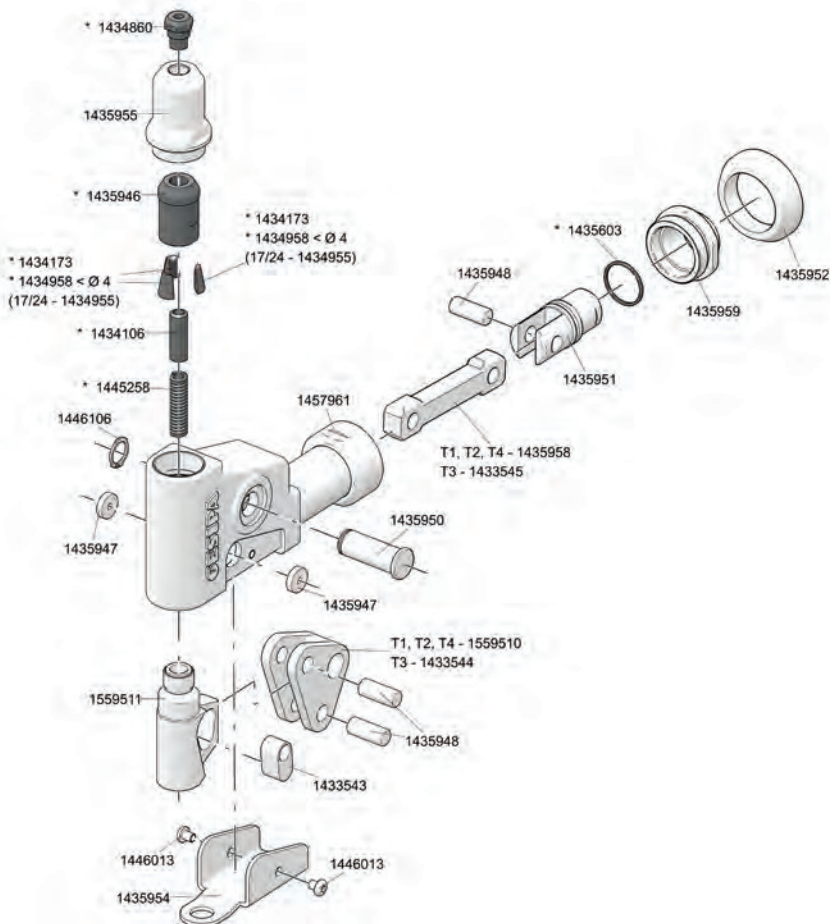
* Wearing parts

Angle heads for TAURUS® blind rivet setting tools

Angle head 90° compact for 1, 2, 4 & TAURUS® 3

No.		
143 3543		Coupler
143 3544	T3	Angle
143 3545	T3	Lock activator
143 4106*		Jaw Pusher
143 4173*		Jaws (3-part)
143 4860*		Nosepiece 17/45 for angle head
143 4958*		Jaws (3-part) up to rivet Ø 4mm (Nosepiece 17/24)
143 5603 *		O-ring
143 5946*		Jaw housing
143 5947		Spacer
143 5948		Bolt
143 5950		Axis bolt
143 5951		Fork head
143 5952		Ring
143 5954		Protecting cap
143 5955		Steel head sleeve
143 5958	T1, T2, T4	Lock activator
143 5959		Adapter
144 5258*		Spring
144 6013		Screw
144 6106		Snap ring
145 7961		Housing
155 9510	T1, T2, T4	Angle
155 9511		Lock activator

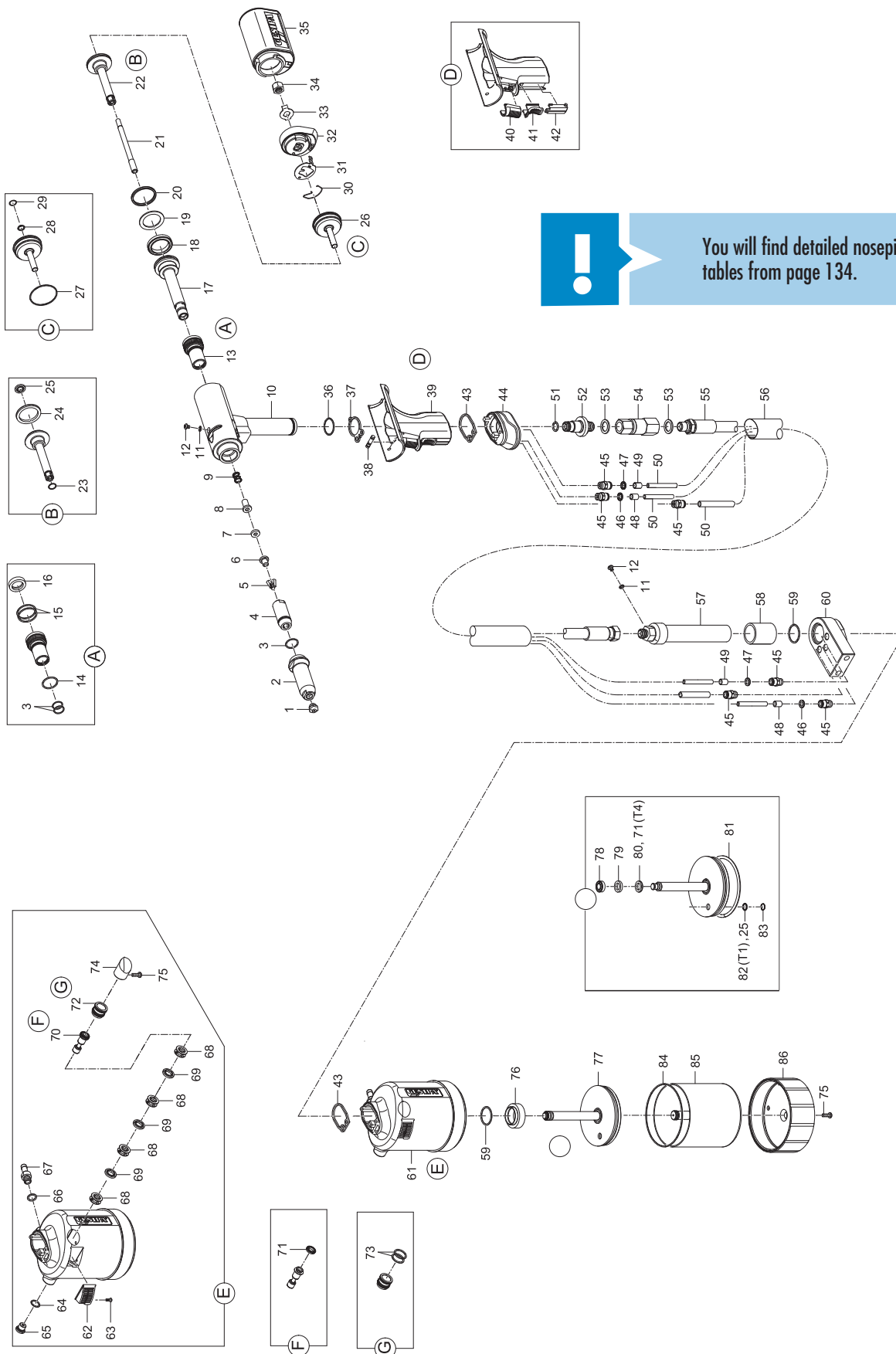
* Wearing parts



* Wearing parts

HYDRO-PNEUMATIC BLIND RIVETING TOOLS




TAUREX 1-4






You will find detailed nosepiece allocation tables from page 134.

HYDRO-PNEUMATIC BLIND RIVETING TOOLS

TAUREX 1-4

		No.	
1 •	T1	143 4976	Nosepiece 17/18
		143 4994	Nosepiece 17/20
		143 5018	Nosepiece 17/22
	T2	143 4955	Nosepiece 17/24
		143 4973	Nosepiece 17/27
		143 4974	Nosepiece 17/29
		143 4975	Nosepiece 17/32
	T3, T4	143 4977	Nosepiece 17/36
		143 4999	Nosepiece 17/40
		143 4860	Nosepiece 17/45
2		143 6003	Steel head sleeve 4
3 •		144 6012	O-ring
4 •		143 6002	Jaw housing 4
5 •		143 5568	Jaw
6 •	T1	143 5507	Jaw pusher AV1
	T2	143 5768	Jaw pusher AV2
	T3, T4	143 6000	Jaw pusher 4
7		143 5999	Damping ring 4
8	T1	143 5509	Centre part AV1
	T2	143 5769	Centre part AV2
	T3, T4	143 6001	Centre part 4
9		146 3064	Spring
10		145 8029	Tool head, assembled
11		143 5612	Sealing ring M4
12		144 6013	Oil screw plug
13		143 5681	Seal holder, complete
14 •		143 5629	O-ring
15 •		143 4227	O-ring
16 •		143 5630	Rod seal
17		143 5631	Draw bar
18 •		143 5488	Supporting ring
19 •		143 5485	Piston seal
20 •		143 5632	Piston seal
21	T1	143 5558	Nozzle tube 1
	T2	143 5764	Nozzle tube 2, long
	T3, T4	143 5886	Nozzle tube 3, long
22		145 7746	Resetting piston, complete
23		143 5671	O-ring
24 •		143 5633	Piston seal
25		143 5635	Rod seal
26	T1	165 1223	End cap
	T2, T3, T4	145 7840	End cap
27		143 5524	O-ring
28		143 5519	O-ring
29		144 6167	Snap ring
30		144 6028	Retaining spring
31		143 5664	Retainer
32		143 5663	Adapter
33		143 5842	Lock washer
34	T1	143 5849	Supporting nut 1
	T2, T3, T4	143 5766	Supporting nut 2/3
35	T1, T2	143 5677	Spent mandrel container, complete
	T3, T4	143 5964	Spent mandrel container, complete
36		143 5590	O-ring
37 •		143 5472	Flat gasket 1
38		145 7747	Distributing valve complete
39		145 7748	Grip complete
40		144 6025	Activation button
41		143 5642	Valve
42		143 5686	Orifice
43 •		143 5480	Flat gasket 2
44		144 6126	Head adapter
45		144 6130	Screw-in connection
46		144 6132	Coding ring, green
47		144 6133	Coding ring, red
48		144 5393	PA tube Ø 6 green (L = 10 mm)*
49		144 5395	PA tube Ø 6 red (L = 10 mm)*
50		144 6134	PU tube Ø 6mm (L=3.2mm)
51		143 4496	O-ring
52		143 6090	Hose connector

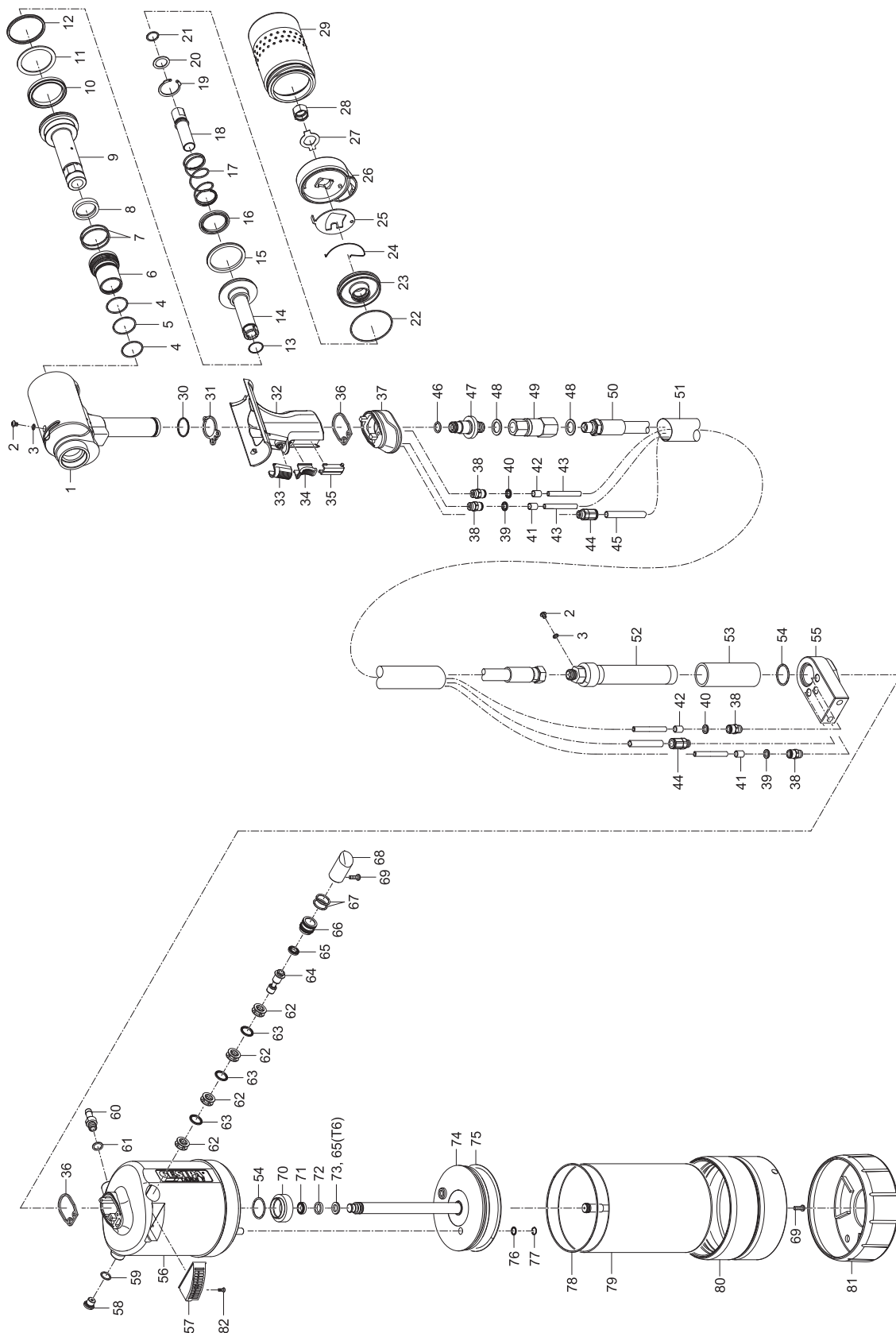
		No.	
53		144 6131	Hydraulic seal rings
54		144 6146	Swivel
55		144 6127	Hydraulic hose
56		144 6135	Hose casing
57	T1	151 3245	Hose connector cylinder
	T2, T3	151 3246	Hose connector cylinder
	T4	151 3247	Hose connector cylinder
58	T1, T2, T3	143 6093	Spacer tube
	T4	143 6102	Spacer tube
59		143 5486	O-ring
60		143 6092	Cylinder adapter
61	T1	145 1010	Air cylinder TAUREX 1
	T2	145 1012	Air cylinder TAUREX 2
	T3	143 6101	Air cylinder TAUREX 3
	T4	145 1024	Air cylinder TAUREX 4
62	T1	151 5051	Silencer 1, complete
	T2	145 7862	Silencer 2, complete
	T3, T4	145 7956	Silencer 3, complete
63	T2, T3, T4	144 6089	Screw
64		143 5484	O-ring
65		145 7750	Pressure relief valve
66		144 6030	Sealing ring
67		143 5667	Connecting nipple
68	T2, T3, T4	143 5648	Spacer cage
69		143 5647	Rod seal
70		145 7694	Control piston
71 •		143 5675	Piston seal
72 •		145 7693	Piston housing
73 •		143 5688	O-ring
	T1	144 6026	Stopper 1
	T2	144 6073	Stopper 2
74		144 6100	Stopper 3
	T3, T4	144 6100	Stopper 3
75		144 5773	Housing screw short
76		143 5492	Al nut
77	T1	145 7751	Air piston 1, complete
	T2	145 7860	Air piston 2, complete
	T3	145 7952	Air piston 3, complete
	T4	145 7994	Air piston 4, complete
78 •	T1	143 5658	Piston seal
	T2, T3	143 5841	Piston seal
	T4	143 6007	Piston seal
79 •	T1	143 5657	Guide ring 1
	T2, T3	143 5825	Guide ring 2
	T4	143 6006	Guide ring 4
80 •	T1	143 5656	Piston seal
	T2, T3	143 5670	Piston seal
81 •	T1	143 5660	O-ring
	T2	143 5834	O-ring
	T3, T4	143 5937	O-ring
82 •	T1	143 5659	Rod seal
	T1	144 6027	Snap ring
83	T1	144 6082	V-profile ring
	T2, T3, T4	144 6082	V-profile ring
84	T1	143 5680	O-ring
	T2	143 5839	O-ring
	T3, T4	143 5927	O-ring
85	T1	145 7752	Cylinder 1, complete
	T2	145 7861	Cylinder 2, complete
	T3	145 7953	Cylinder 3, complete
	T4	145 7995	Cylinder 4, complete
86	T1	143 5508	Bottom 1
	T2	143 5761	Bottom 2
	T3, T4	143 5874	Bottom 3
		144 5294	Hydraulic oil refill bottle, 100 ml

• Wearing parts

* The length required must always be specified on the order; the article numbers always refers to the price per metre.




HYDRO-PNEUMATIC BLIND RIVETING TOOLS




TAUREX 5-6



HYDRO-PNEUMATIC BLIND RIVETING TOOLS

TAUREX 5-6

			
1		145 1025	Tool head, assembled
2		143 5612	Sealing ring M4
3		144 6013	Oil screw plug
4 •		143 6044	O-ring
5 •		143 6045	O-ring
6		143 6035	Seal holder, complete
7 •		143 6047	O-ring
8 •		143 6048	Rod seal
9		143 6036	Draw bar
10 •		143 6049	Cylinder seal
11 •		143 6052	Supporting ring
12 •		143 6051	Piston seal
13 •		143 6046	O-ring
14		145 8012	Resetting piston, complete
15 •		143 6050	Lip ring
16 •		143 6053	Rod seal
17		144 6123	Spring
18		143 6030	Connecting piece
19		144 6124	V-profile ring
20		144 6125	Washer
21		143 6042	O-ring
22		143 6043	O-ring
23		143 6034	End cap
24		144 6122	Retaining spring
25		143 6026	Retainer
26		143 6028	Adapter
27		143 6025	Lock washer
28		143 6029	Connecting piece nut
29		143 6058	Spent mandrel container, complete
30		143 5590	O-ring
31 •		143 5472	Flat gasket
32		145 7748	Grip complete
33		144 6025	Activation button
34		143 5642	Slider
35		143 5686	Orifice
36 •		143 5480	Flat gasket 2
37		144 6126	Head adapter
38		144 6130	Screw-in connection
39		144 6132	Coding ring, green
40		144 6133	Coding ring, red
41		144 5393	PA tube Ø 6 green (L = 10 mm)*
42		144 5395	PA tube Ø 6 red (L = 10 mm)*
43		144 6134	PU tube
44		144 6138	Screw connection
45		144 6137	PU tube
46		143 4496	O-ring

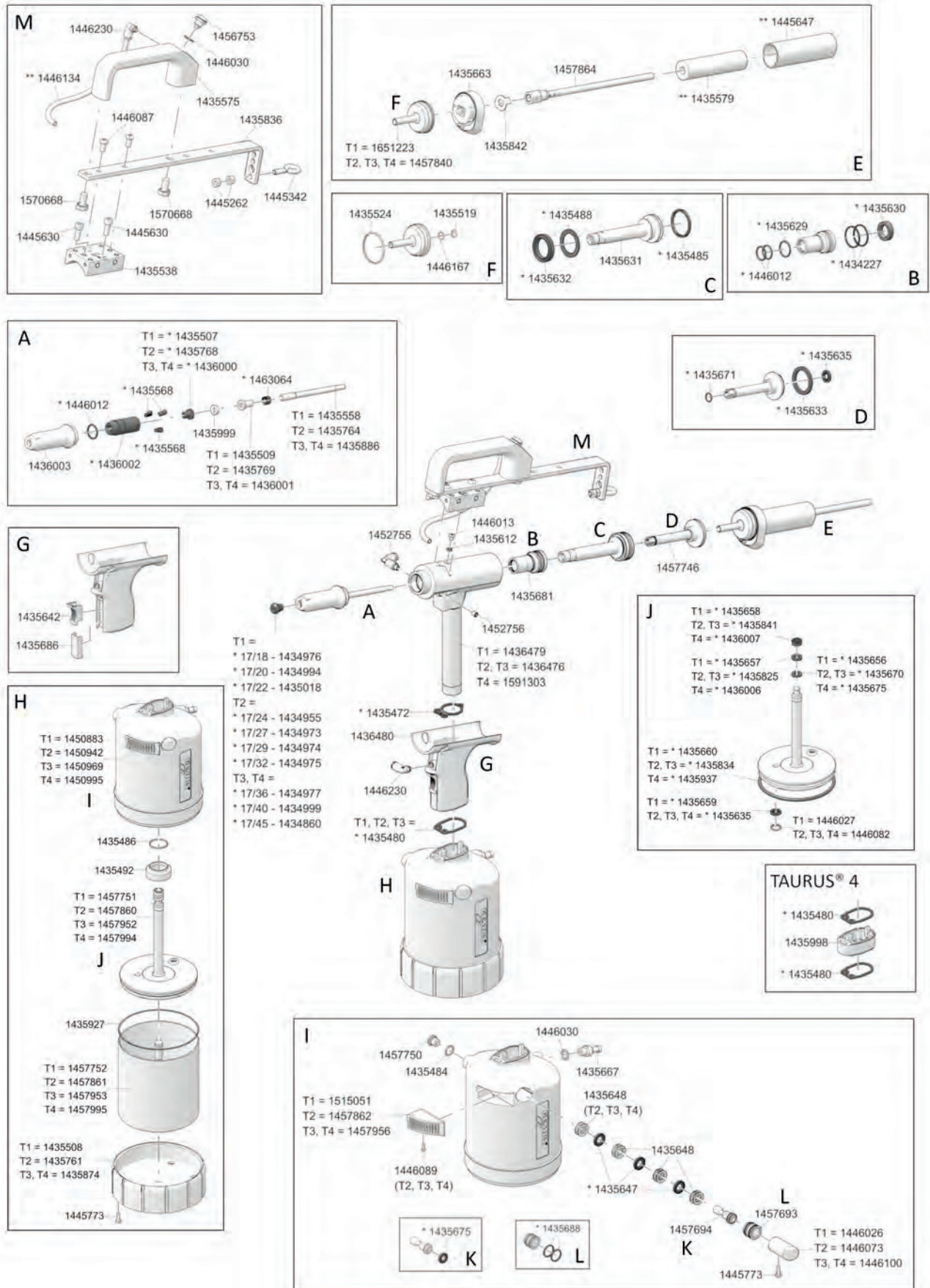
			
47		143 6090	Hose connector
48		144 6131	Hydraulic seal rings
49		144 6146	Swivel
50		144 6127	Hydraulic hose
51		144 6135	Hose casing
52	T5	152 4522	Hose connector cylinder
	T6	152 4523	Hose connector cylinder
53		143 6103	Spacer tube
54		143 6092	Cylinder adapter
55		143 5486	O-ring
56	T5	145 8013	Air cylinder TAUREX 5
	T6	146 4043	Air cylinder TAUREX 6
57		145 7956	Silencer 3, complete
58		145 7750	Pressure relief valve, complete
59		143 5484	O-ring
60		143 5667	Connecting nipple
61		144 6030	Seal
62		143 5648	Spacer cage
63 •		143 5647	Rod seal
64		143 5651	Control piston
65 •		143 5675	Piston seal
66		143 5652	Piston housing
67		143 5688	O-ring
68		144 6100	Stopper 3
69		144 5773	Housing screw, short
70		143 5492	Al nut
71 •	T5	143 6056	Cylinder seal
	T6	143 6007	Piston seal
72 •	T5	143 6040	Guide ring 5
	T6	143 6006	Guide ring 4
73 •	T5	143 6055	Lip ring
74	T5	145 8015	Air piston 5, complete
	T6	145 8024	Air piston 6, complete
75 •		143 5937	O-ring
76 •		143 5635	Rod seal
77		144 6082	V-profile ring
78		143 5927	O-ring
79	T5	145 8014	Cylinder 5, complete
	T6	146 4044	Cylinder 6, complete
80		143 6027	Al bottom
81		143 5900	Rubber foot 3-4
82		144 6089	Screw
		144 5294	Hydraulic oil refill bottle, 100 ml

• Wearing parts

* The length required must always be specified on the order; the article numbers always refers to the price per metre.



HYDRO-PNEUMATIC BLIND RIVETING TOOLS



TAURUS® 1-4 Axial eco



HYDRO-PNEUMATIC BLIND RIVETING TOOLS

TAURUS® 1-4 Axial eco

No.		
1434227*		O-ring
1434860*	T3,T4	Nosepiece 17/45
1434955*	T2	Nosepiece 17/24
1434973*	T2	Nosepiece 17/27
1434974*	T2	Nosepiece 17/29
1434975*	T2	Nosepiece 17/32
1434976*	T1	Nosepiece 17/18
1434977*	T3,T4	Nosepiece 17/36
1434994*	T1	Nosepiece 17/20
1434999*	T3,T4	Nosepiece 17/40
1435018*	T1	Nosepiece 17/22
1435472*		Flat gasket
1435480*		Flat gasket
1435484		O-ring
1435485*		Piston Seal
1435486		O-ring
1435488*		Supporting ring
1435492		Al nut
1435507*	T1	Jaw pusher
1435508	T1	Bottom
1435509	T1	Centre part
1435519		O-ring
1435524		O-ring
1435538		Holder
1435558	T1	Nozzle tube
1435568*		Jaws
1435575		Grip
1435612		Sealing ring
1435629*		O-ring
1435630*		Rod seal
1435631		Draw bar
1435632*		Piston seal
1435633*		Piston seal
1435635*		Rod seal
1435642		Schieber
1435647*		Rod seal
1435648		Slider
1435656*	T1	Piston seal
1435657*	T1	Guide ring
1435658*	T1	Piston seal
1435659*	T1	Rod seal
1435660*	T1	O-ring
1435663		Adapter
1435667		Connecting nipple
1435670*	T2, T3	Piston seal
1435671*		O-ring
1435675*		Piston seal
1435681		Seal holder, complete
1435686		Orifice
1435688*		O-ring
1435761	T2	Bottom
1435764	T2	Nozzle tube
1435768*	T2	Jaw pusher
1435769	T2	Centre part
1435825*	T2, T3	Guide ring
1435834*	T2, T3	O-ring
1435836		Hanger
1435841*	T2, T3	Piston seal
1435842		Lock washer
1435874	T3,T4	Bottom
1435886	T3,T4	Nozzle tube
1435927		O-ring
1435937*	T4	O-ring

No.		
1435998		Grip extension
1435999		Damping ring
1436000*	T3,T4	Jaw pusher
1436001	T3,T4	Centre part
1436002*		Jaw housing
1436003		Steel sleeve
1436006*	T4	Guide ring
1436007*	T4	Piston seal
1436476	T2, T3	Tool head, assembled
1436479	T1	Tool head, assembled
1436480		Grip FA, complete
1445262		Nut
1445342		Screw
1445630		Allen screw
1445773		Housing screw, short
1446012*		O-ring
1446013		Oil screw plug
1446026	T1	Stopper
1446027	T1	Snap ring
1446030		Sealing ring
1446073	T2	Stopper
1446082	T2, T3, T4	V-profile ring
1446087		Fillister head screw
1446089	T2, T3, T4	Screw
1446100	T3,T4	Stopper
1446167		Snap ring
1446230		Screw connection
1450883	T1	Air cylinder, complete
1450942	T2	Air cylinder, complete
1450969	T3	Air cylinder, complete
1450995	T4	Air cylinder, complete
1452755		Screw connection
1452756		Stud bolt
1456753		Valve, complete
1457693		Piston housing
1457694		Control piston
1457746		Resetting piston, complete
1457750		Pressure relief valve, complete
1457751	T1	Air piston complete
1457752	T1	Cylinder, complete
1457840	T2, T3, T4	End cap
1457860	T2	Air piston, complete
1457861	T2	Cylinder, complete
1457862	T2	Silencer, complete
1457864		Hose
1457952	T3	Air piston, complete
1457953	T3	Cylinder, complete
1457956	T3,T4	Silencer, complete
1457994	T4	Air piston, complete
1457995	T4	Cylinder, complete
1463064*		Spring
1515051	T1	Silencer, complete
1570668		Screw
1591303	T4	Tool head
1651223	T1	End cap
1435579 **		Foamed material tubes
1445647 **		Protective hose
1446134 **		PU tube

* Wearing parts

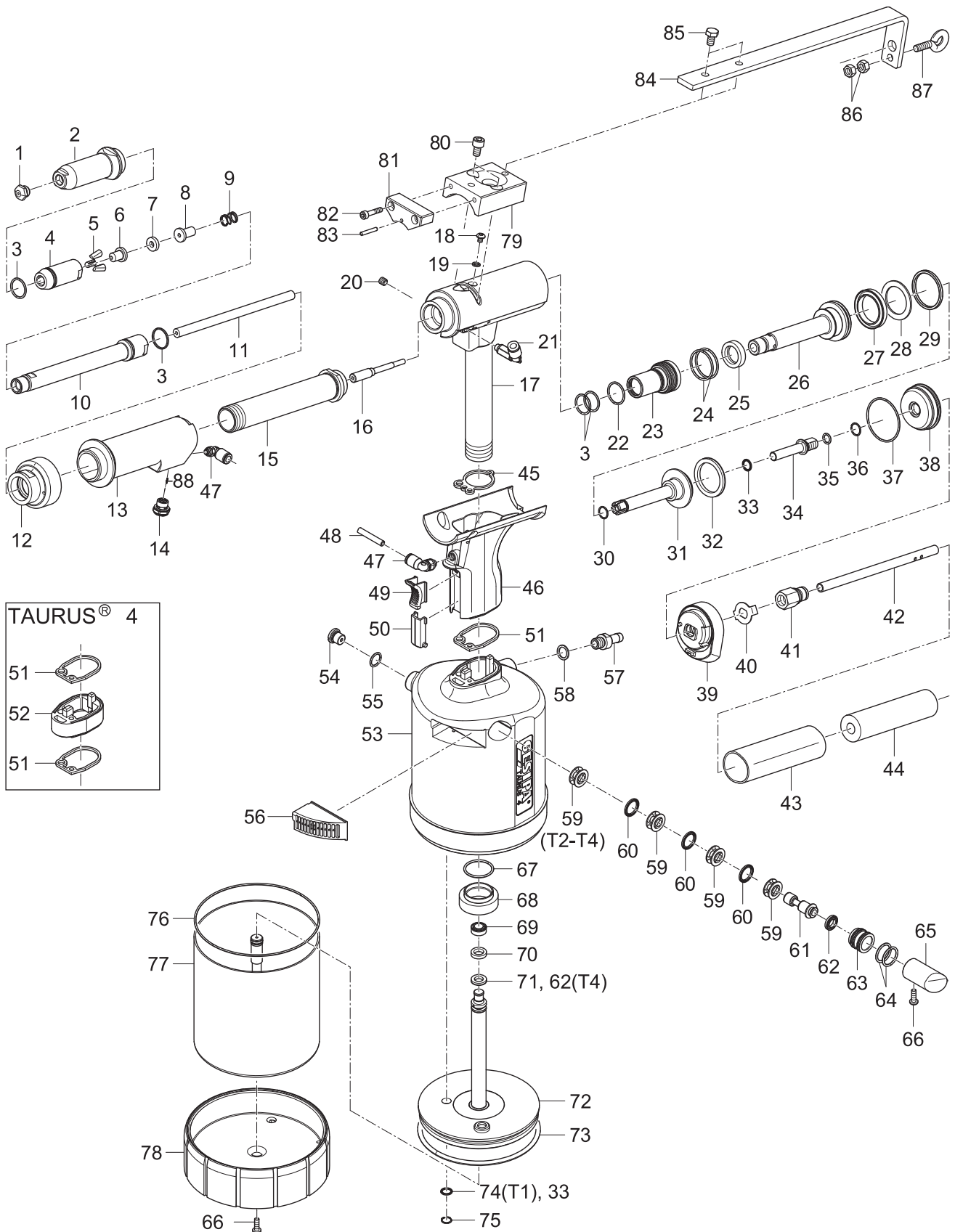
** The length required must always be specified on the order; the article numbers always refers to the price per metre.



You will find detailed nosepiece allocation tables from page 134.

HYDRO-PNEUMATIC BLIND RIVETING TOOLS




TAURUS® 1-4 Axial






! You will find detailed nosepiece allocation tables from page 134.

HYDRO-PNEUMATIC BLIND RIVETING TOOLS

TAURUS® 1-4 Axial

			
1 •	T1	143 4976	Nosepiece 17/18
		143 4994	Nosepiece 17/20
		143 5018	Nosepiece 17/22
	T2	143 4955	Nosepiece 17/24
		143 4973	Nosepiece 17/27
		143 4974	Nosepiece 17/29
		143 4975	Nosepiece 17/32
	T3	143 4977	Nosepiece 17/36
		143 4999	Nosepiece 17/40
		143 4860	Nosepiece 17/45
2		143 6003	Steel head sleeve 4
3 •		144 6012	O-ring
4 •		143 6002	Jaw housing
5 •		143 5568	Jaw (3-part)
6 •	T1	143 5507	Jaw pusher 1
	T2	143 5768	Jaw pusher 2
	T3, T4	143 6000	Jaw pusher 4
7		143 5999	Damping ring 4
8	T1	143 5509	Centre part 1
	T2	143 5769	Centre part 2
	T3, T4	143 6001	Centre part 4
9 •		146 3064	Spring
10		143 5863	Adapter, ext. 150mm
11	T1	143 5867	Adapter 1, ext. 150mm
	T2	143 5862	Adapter 1, ext. 150mm
	T3, T4	143 5868	Adapter 1, ext. 150mm
12		143 5856	Adapter
13		143 6915	Grip Axial complete
14		143 6481	Trip valve
15		143 5857	Spacer
16	T1	143 5558	Nozzle tube 1
	T2	143 5764	Nozzle tube 2, long
	T3, T4	143 5886	Nozzle tube 3, long
17	T1	143 6479	Tool head 1, assembled
	T2, T3	143 6476	Tool head 2, assembled
	T4	143 6422	Tool head 4, assembled
18		144 6013	Oil screw plug
19		143 5612	Sealing ring M4
20		145 2756	Stud bolt
21		145 2755	Screw connection
22 •		143 5629	O-ring
23		143 5681	Seal holder, complete
24 •		143 4227	O-ring
25 •		143 5630	Rod seal
26		143 5631	Draw bar
27 •		143 5632	Piston seal
28 •		143 5488	Supporting ring
29 •		143 5485	Piston seal
30 •		143 5671	O-ring
31		145 7746	Resetting piston, complete
32 •		143 5633	Piston seal
33 •		143 5635	Rod seal
34	T1	143 5852	Connecting piece 1
	T2, T3, T4	143 5765	Connecting piece 2/3
35		143 5519	O-ring
36		144 6167	Snap ring
37		143 5524	O-ring
38		143 5532	End cap
39		143 5663	Adapter
40		143 5842	Lock washer
41		143 5848	Screw connection
42		143 5767	Hose
43		144 5647	Protective hose
44		143 5579	Foamed material tubes (0,1m)
45 •		143 5472	Flat gasket 1
46		143 6480	Grip FA, complete
47		144 6230	Screw connection
48		144 6134	Tube 0,1m*

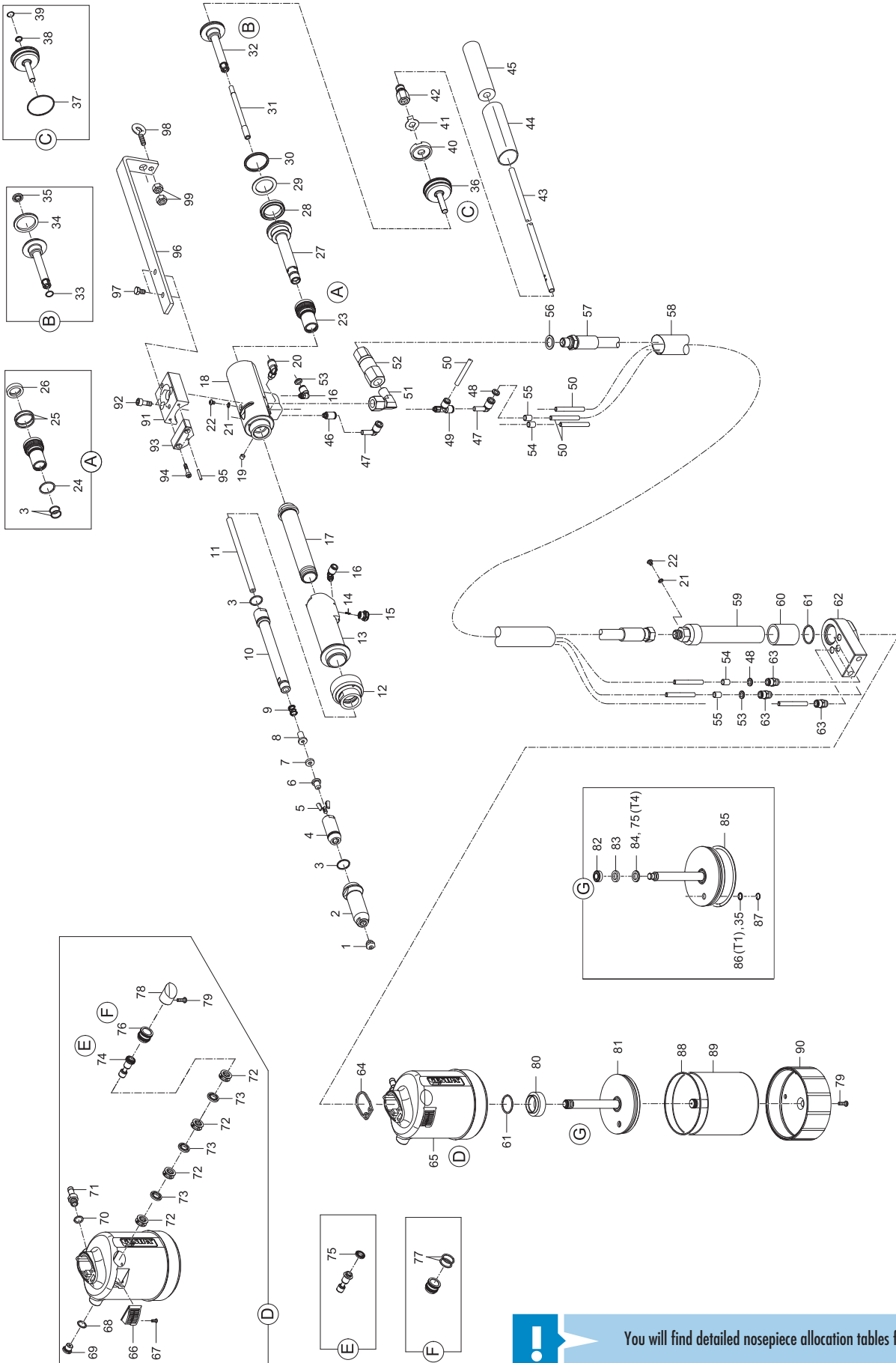
			
49		143 5642	Slider
50		143 5686	Orifice
51 •		143 5480	Flat gasket 2
52	T4	143 5998	Grip extension
53	T1	145 0882	Air cylinder 1 Axial
	T2	145 0941	Air cylinder 2 Axial
	T3	145 0968	Air cylinder 3 Axial
	T4	145 0994	Air cylinder 4 Axial
54		145 7750	Pressure relief valve, complete
55		143 5484	O-ring
56	T1	151 5051	Silencer 1, complete
	T2	145 7862	Silencer 2, complete
	T3, T4	145 7956	Silencer 3, complete
57		143 5667	Connecting nipple
58		144 6030	Sealing ring
59		143 5648	Spacer cage
60 •		143 5647	Rod seal
61		143 5651	Control piston
62 •		143 5675	Piston seal
63		143 5652	Piston housing
64		143 5688	O-ring
65	T1	144 6026	Stopper 1
	T2	144 6073	Stopper 2
	T3, T4	144 6100	Stopper 3
66		144 5773	HousingsScrew, short
67		143 5486	O-ring
68		143 5492	Al nut
69 •	T1	143 5658	Piston seal
	T2, T3	143 5841	Piston seal
	T4	143 6007	Piston seal
70 •	T1	143 5657	Guide ring 1
	T2, T3	143 5825	Guide ring 2
	T4	143 6006	Guide ring 3
71 •	T1	143 5656	Piston seal
	T2, T3	143 5670	Piston seal
72	T1	145 7751	Air piston 1, complete
	T2	145 7860	Air piston 2, complete
	T3	145 7952	Air piston 3, complete
	T4	145 7994	Air piston 4, complete
73 •	T1	143 5660	O-ring
	T2	143 5834	O-ring
	T3, T4	143 5937	O-ring
74 •	T1	143 5659	Rod seal
	T1	144 6027	Snap ring
75	T2, T3, T4	144 6082	V-profile ring
76	T1	143 5680	O-ring
	T2	143 5839	O-ring
	T3, T4	143 5927	O-ring
77	T1	145 7752	Cylinder 1, complete
	T2	145 7861	Cylinder 2, complete
	T3	145 7953	Cylinder 3, complete
	T4	145 7995	Cylinder 4, complete
78	T1	143 5508	Bottom 1
	T2	143 5761	Bottom 2
	T3, T4	143 5874	Bottom 3
79		143 5538	Holder
80		144 5630	Allen screw
81		145 0895	Holder
82		145 2757	Allen screw
83		143 3954	Cylinder pin
84		143 5836	Hanger
85		144 6092	Hexagon head screw
86		144 5262	Nut
87		144 5342	Screw
88		144 5996	Compression spring
		144 5294	Hydraulic oil refill bottle, 100 ml


• Wearing parts

* The length required must always be specified on the order; the article numbers always refers to the price per metre.

HYDRO-PNEUMATIC BLIND RIVETING TOOLS



TAUREX 1-4 Axial



 You will find detailed nosepiece allocation tables from page 134.



HYDRO-PNEUMATIC BLIND RIVETING TOOLS

TAUREX 1-4 Axial

		No.	
1	T1	143 4976	Nosepiece 17/18
		143 4994	Nosepiece 17/20
		143 5018	Nosepiece 17/22
	T2	143 4955	Nosepiece 17/24
		143 4973	Nosepiece 17/27
		143 4974	Nosepiece 17/29
		143 4975	Nosepiece 17/32
	T3, T4	143 4977	Nosepiece 17/36
		143 4999	Nosepiece 17/40
		143 4860	Nosepiece 17/45
2		143 6003	Steel head sleeve 4
3 •		144 6012	O-ring
4 •		143 6002	Jaw housing 4
5 •		143 5568	Jaws (3-part)
6 •	T1	143 5507	Jaw Pusher 1
	T2	143 5768	Jaw Pusher 2
	T3, T4	143 6000	Jaw Pusher 4
7		143 5999	Damping ring 4
8	T1	143 5509	Centre part 1
	T2	143 5769	Centre part 2
	T3, T4	143 6001	Centre part 4
9		146 3064	Spring
10		143 5863	Adapter
11	T1	143 5867	Adapter 1
	T2	143 5862	Adapter 2
	T3, T4	143 5868	Adapter 3
12		143 5856	Adapter
13		143 6915	Grip Axial, complete
14		144 5996	Spring
15		143 6481	Release valve, complete
16		144 6230	Screw connection
17		143 5857	Spacer
18		145 0948	Tool head, assembled
19		145 2756	Stud bolt
20		144 6150	Angle screw connection
21		143 5612	Sealing ring M4
22		144 6013	Oil screw plug
23		143 5681	Seal holder, complete
24 •		143 5629	O-ring
25 •		143 4227	O-ring
26 •		143 5630	Rod seal
27		143 5631	Draw bar
28 •		143 5632	Piston seal
29 •		143 5488	Supporting ring
30 •		143 5485	Piston seal
31	T1	143 5558	Nozzle tube 1
	T2	143 5764	Nozzle tube 2, long
	T3, T4	143 5886	Nozzle tube 3, long
32		145 7746	Resetting piston, complete
33 •		143 5671	O-ring
34 •		143 5633	Piston seal
35 •		143 5635	Rod seal
36	T1	143 5532	End cap
	T2, T3, T4	145 7840	End cap
37		143 5524	O-ring
38		143 5519	O-ring
39		144 6167	Snap ring
40		143 5853	Supporting ring
41		143 5842	Lock washer
42		143 5848	Screw connection
43		143 5767	Hose
44		143 5579	Foamed material tubes
45		144 5647	Protective hose
46		144 6095	Screw connection
47		145 2759	Plug-in coupling
48		144 6133	Coding ring, red
49		144 6093	Screw connection
50		144 6134	PU tube*

• Wearing parts

* The length required must always be specified on the order; the article numbers always refers to the price per metre.

		No.	
51		144 6145	Angle screw connection
52		144 6146	Swivel
53		144 6132	Coding ring, green
54		144 5395	PA tube red*
55		144 5393	PA tube green*
56		144 6131	Sealing ring
57		144 6136	Hydraulic hose
58		144 6135	Protective hose
59	T1	151 3245	Hose connector
	T2, T3	151 3246	Hose connector
	T4	151 3247	Hose connector
60	T1, T2, T3	143 6093	Spacer tube
	T4	143 6102	Spacer tube 4
61		143 5486	O-ring
62		143 6092	Cylinder adapter
63		144 6130	Screw connection
64 •		143 5480	Flat gasket
65	T1	148 8025	Air cylinder 1, complete
	T2	148 8026	Air cylinder 2, complete
	T3	148 8027	Air cylinder 3, complete
	T4	148 8029	Air cylinder 4, complete
66	T1	151 5051	Silencer complete
	T2	145 7862	Silencer complete
	T3, T4	145 7956	Silencer complete
67		144 6089	Screw
68		143 5484	O-ring
69		145 7750	Pressure relief valve
70		144 6030	Sealing ring
71		143 5667	Connecting nipple
72		143 5648	Spacer ring
73		143 5647	Rod seal
74		145 7694	Control piston
75 •		143 5675	Piston seal
76		145 7693	Piston housing
77 •	T1	144 6026	Stopper 1
	T2	144 6073	Stopper 2
	T3, T4	144 6100	Stopper 3
79		144 5773	Screw
80		143 5492	Alu nut
81	T1	145 7751	Air piston 1 complete
	T2	145 7860	Air piston 2 complete
	T3	145 7952	Air piston 3 complete
	T4	145 7994	Air piston 4 complete
82 •	T1	143 5658	Piston seal
	T2, T3	143 5841	Piston seal
	T4	143 6007	Piston seal
83 •	T1	143 5657	Guide ring 1
	T2, T3	143 5825	Guide ring 2
	T4	143 6006	Guide ring 4
84 •	T1	143 5656	Piston seal
	T2, T3	143 5670	Piston seal
85 •	T1	143 5660	O-ring
	T2	143 5834	O-ring
	T3, T4	143 5937	O-ring
86 •	T1	143 5659	Rod seal
	T1	144 6027	Snap ring
87		144 6082	Snap ring
88	T1	143 5680	O-ring
	T2	143 5839	O-ring
	T3, T4	143 5927	O-ring
89	T1	145 7752	Cylinder 1 complete
	T2	145 7861	Cylinder 2 complete
	T3	145 7953	Cylinder 3 complete
	T4	145 7995	Cylinder 4 complete
90	T1	143 5508	Bottom 1
	T2	143 5761	Bottom 2
	T3, T4	143 5874	Bottom 3
91		143 5538	Holder
92		144 5630	Allen screw
93		145 0895	Holder
94		143 6915	Allen screw
95		143 3954	Cylinder pin
96		143 5855	Hanger
97		144 6087	Hexagon head screw
98		144 5342	Screw
99		144 5262	Nut
		144 5294	Hydraulic oil refill bottle 100ml

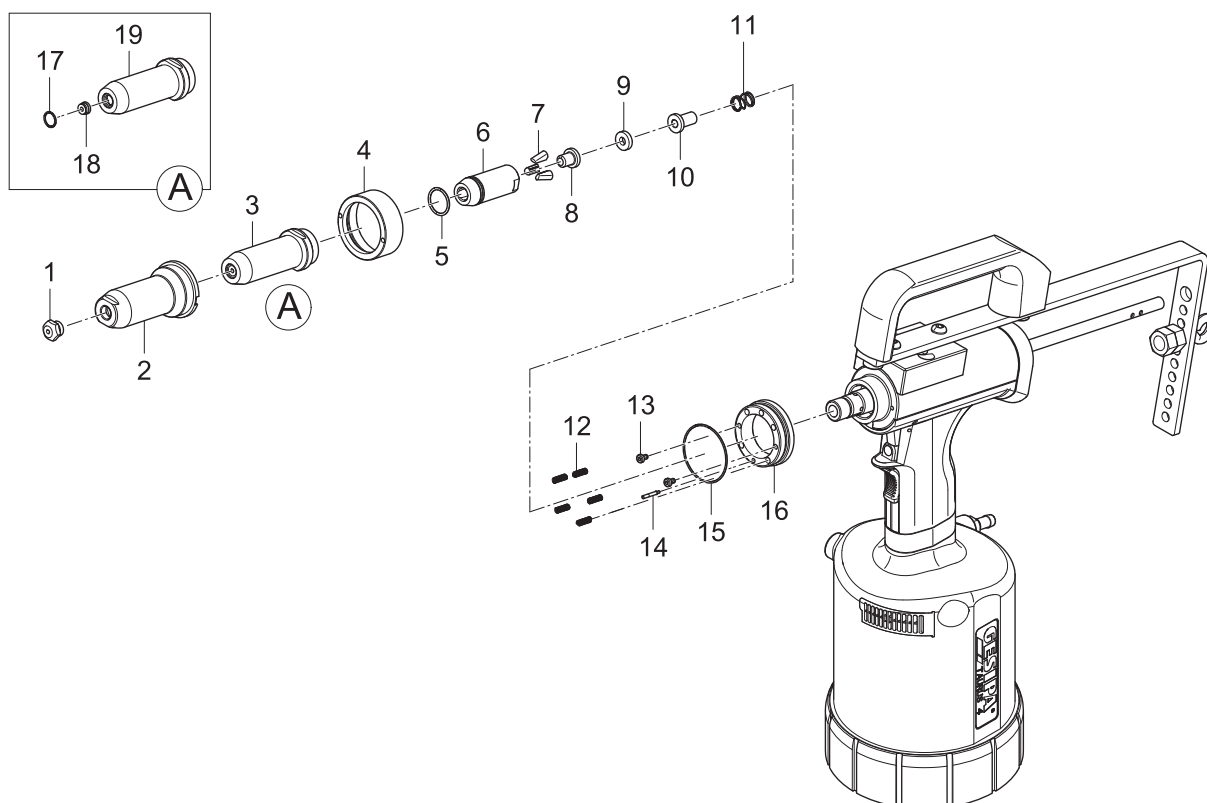
HYDRO-PNEUMATIC BLIND RIVETING TOOLS

Spring-loaded trigger system for TAURUS® 1-4 Axial eco

📍	🔧	No.	🔗
1 •	T1	143 5591	Nosepiece 17/18 AV
		143 4990	Nosepiece 17/20 AV
		143 4991	Nosepiece 17/22 AV
	T2	143 5592	Nosepiece 17/24 AV
		143 5593	Nosepiece 17/27 AV
		143 5594	Nosepiece 17/29 AV
		143 5595	Nosepiece 17/32 AV
	T3, T4	143 5596	Nosepiece 17/36 AV
		143 5597	Nosepiece 17/40 AV
		143 5598	Nosepiece 17/45 AV
2		143 5466	Steel head sleeve
3	T1	145 0887	Support sleeve AV, complete
	T2	145 0943	Support sleeve AV, complete
	T3, T4	145 0978	Support sleeve AV, complete
4		143 5499	Union nut
5 •		144 6012	O-ring
6 •		143 6002	Jaw housing 4
7 •		143 5568	Jaws (3-part)
8 •	T1	143 5507	Jaw pusher 1
	T2	143 5768	Jaw pusher 2
	T3, T4	143 6000	Jaw pusher 4

📍	🔧	No.	🔗
9		143 5999	Damping ring 4
10	T1	143 5509	Centre part 1
	T2	143 5769	Centre part 2
	T3, T4	143 6001	Centre part 4
11 •		146 3064	Spring
12 •		144 5994	Spring
13		144 5995	Allen screw
14		152 4521	Stamp
15		143 5498	Casing
16		143 5529	O-ring
17		144 6010	Snap ring
18 •	T1	143 5599	Nosepiece Ø 2,5
	T2	143 5600	Nosepiece Ø 3,2
	T3, T4	143 5601	Nosepiece Ø 4,5
19		143 5467	Support sleeve

• Wearing parts



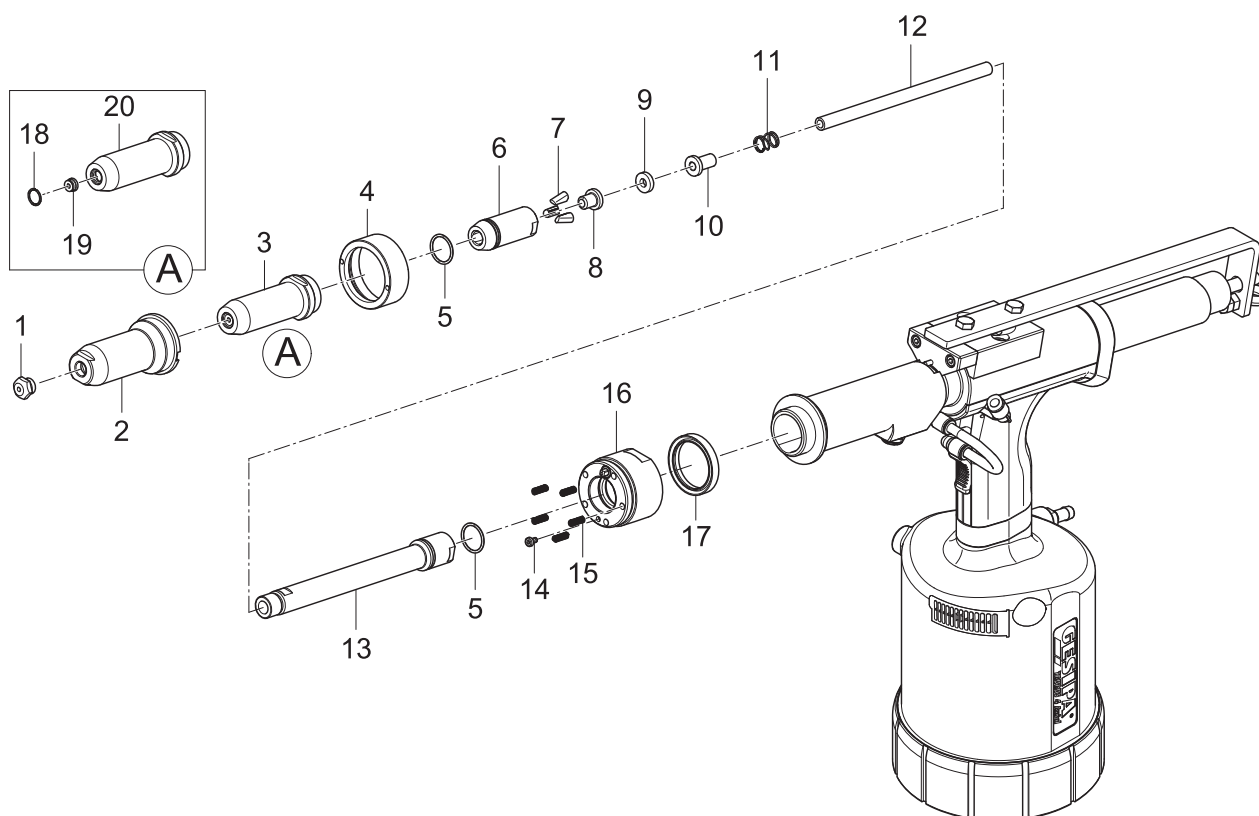
HYDRO-PNEUMATIC BLIND RIVETING TOOLS

Spring-loaded trigger system for TAURUS® 1-4 Axial

📍	🔧	No.	🔗
1 •	T1	143 5591	Nosepiece 17/18 AV
		143 4990	Nosepiece 17/20 AV
		143 4991	Nosepiece 17/22 AV
	T2	143 5592	Nosepiece 17/24 AV
		143 5593	Nosepiece 17/27 AV
		143 5594	Nosepiece 17/29 AV
		143 5595	Nosepiece 17/32 AV
		143 5596	Nosepiece 17/36 AV
	T3, T4	143 5597	Nosepiece 17/40 AV
		143 5598	Nosepiece 17/45 AV
2		143 5466	Steel head sleeve
3	T1	145 0887	Support sleeve AV, complete
	T2	145 0943	Support sleeve AV, complete
	T3, T4	145 0978	Support sleeve AV, complete
4	143 5499	Union nut	
5 •	144 6012	O-ring	
6 •	143 6002	Jaw housing 4	
7 •	143 5568	Jaws (3-part)	
8 •	T1	143 5507	Jaw pusher 1
	T2	143 5768	Jaw pusher 2
	T3, T4	143 6000	Jaw pusher 4

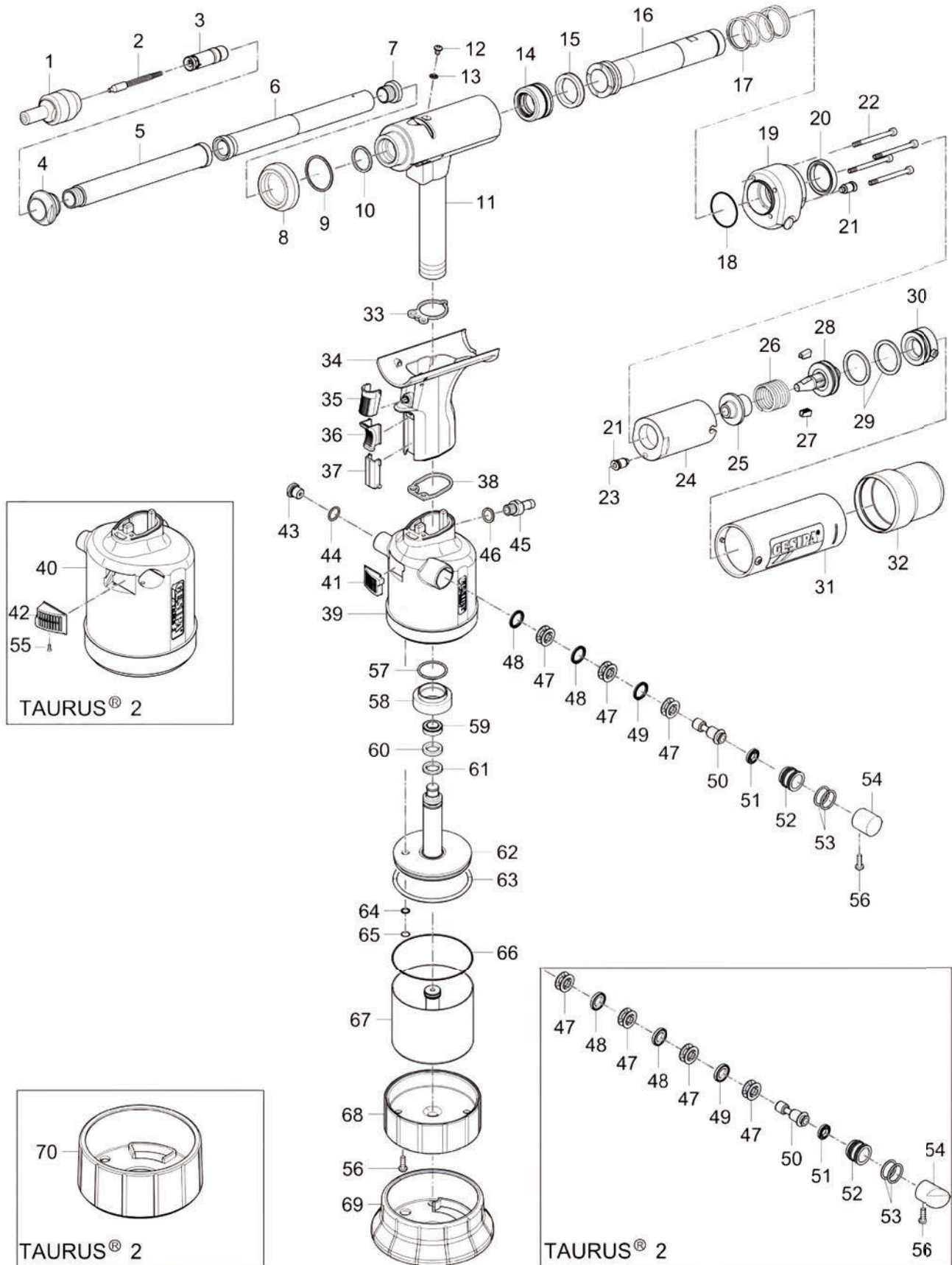
📍	🔧	No.	🔗
9		143 5999	Damping ring 4
10	T1	143 5509	Centre part 1
	T2	143 5769	Centre part 2
	T3, T4	143 6001	Centre part 4
11 •		146 3064	Spring
12	T1	143 5867	Adapter 1
	T2	143 5862	Adapter 2
	T3, T4	143 5868	Adapter 3
13		143 5863	Adapter, ext. 150mm
14		144 6097	Allen screw
15 •		144 5994	Spring
16		145 0947	Valve body, complete
17		143 5866	Rod seal
18		144 6010	Snap ring
19 •	T1	143 5599	Nosepiece Ø 2,5
	T2	143 5600	Nosepiece Ø 3,2
	T3, T4	143 5601	Nosepiece Ø 4,5
20		143 5467	Support sleeve

• Wearing parts






HYDRO-PNEUMATIC BLIND RIVETING TOOLS




TAURUS® 1 Speed Rivet / TAURUS® 2 Speed Rivet



HYDRO-PNEUMATIC BLIND RIVETING TOOLS

TAURUS® 1 Speed Rivet / TAURUS® 2 Speed Rivet

		No.	
1 •		145 7753	Spreader nosepiece 3.2, complete
		145 7754	Spreader nosepiece 4.0 complete
		145 7755	Spreader nosepiece 4.8 complete
		145 7756	Spreader nosepiece 3.2 extended, complete
		145 7757	Spreader nosepiece 4.0 extended, complete
		145 7758	Spreader nosepiece 4.8 extended, complete
		145 0906	Spreader nosepiece 3.2 with opening mechanism complete
		145 0907	Spreader nosepiece 4.0 with opening mechanism complete
		145 0908	Spreader nosepiece 4.8 with opening mechanism complete
		145 0909	Spreader nosepiece 3.2 extended with opening mechanism, complete
		145 0910	Spreader nosepiece 4.0 extended with opening mechanism complete
		145 0911	Spreader nosepiece 4.8 extended with opening mechanism, complete
2 •		145 7759	Spring 3.2, complete
		145 7761	Spring 4.0 complete
		145 7763	Spring 4.8 complete
		145 7760	Spring 3.2 extended, complete
		145 7762	Spring 4.0 extended, complete
		145 7764	Spring 4.8 extended, complete
3 •		145 0918	Slide lock, complete
4		143 5705	Locator for guide tube SR
5 •		143 5710	Guide tube 2 SR
6 •		143 5709	Guide tube 1 SR
7		143 5712	End screw SR
8		143 5952	Ring
9		143 4266	O-ring
10		143 4462	O-ring
11	T1	145 0919	Tool head 1 SR, assembled
	T2	145 0937	Tool head 2 SR, assembled
12		144 6013	Oil screw plug
13		143 5612	Sealing ring M4
14 •		145 7765	Oil piston, complete
15 •		143 5723	Piston seal
16		143 5722	Pull tube SR
17		143 5721	Spring
18		144 6053	O-ring
19		146 4433	Connection block
20 •		144 6051	Rod seal
21		144 6049	Screw connection
22		144 5970	Allen screw
23		144 6045	Compressed air hose
24		143 5702	Clamp housing
25		143 5704	Pressure sleeve
26		143 5699	Compression spring
27 •		143 5701	Jaw
28		145 7766	Jaw guide, complete
29 •		144 6052	O-ring
30		145 0920	Cover, complete
31		145 0921	Protective tube, complete
32		143 5714	Protective cap

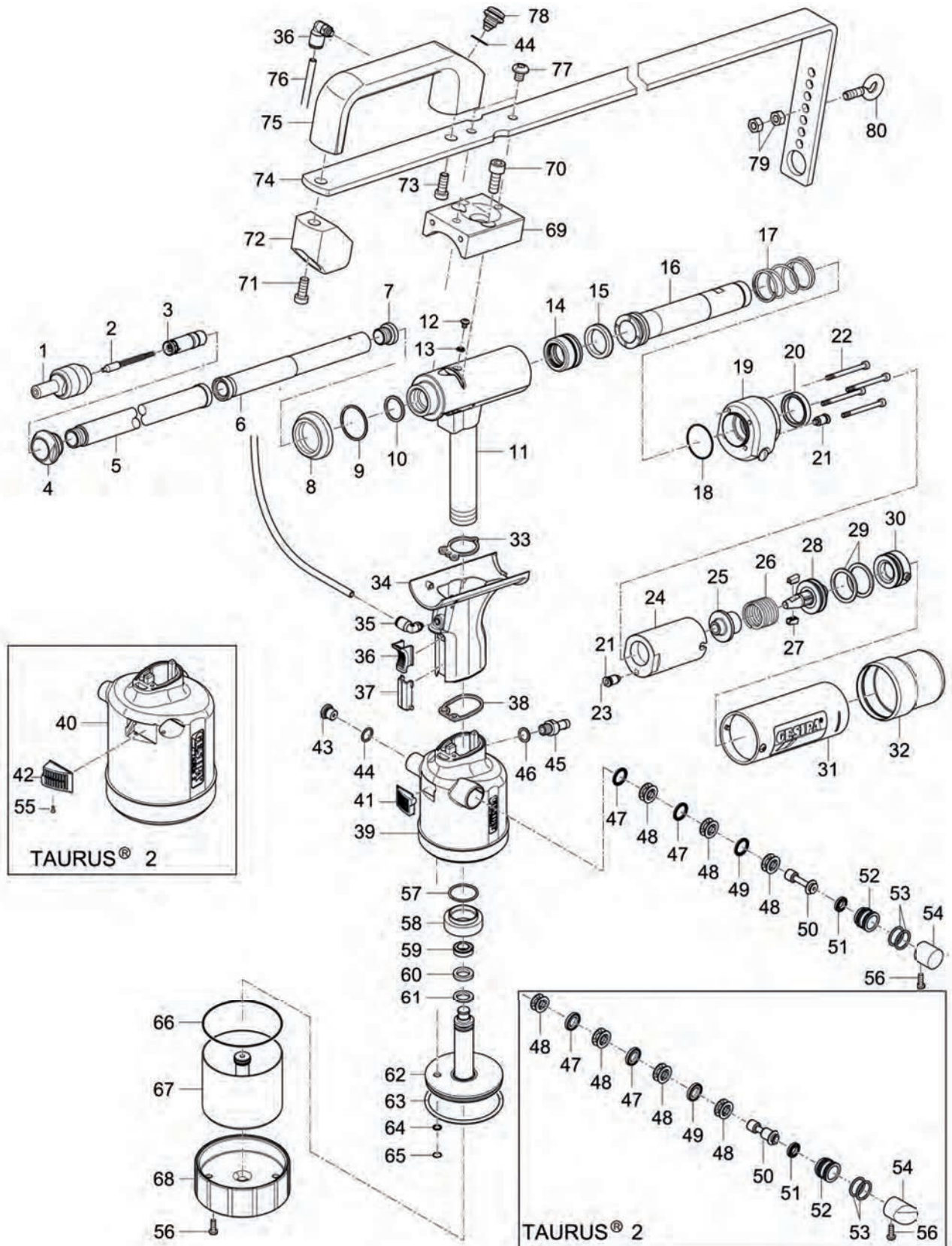
		No.	
33 •		143 5472	Flat gasket 1
34		145 0922	Grip, complete
35		144 6025	Activation button
36		143 5642	Slider
37		143 6169	Orifice
38 •		143 5480	Flat gasket 2
39	T1	145 0923	Air cylinder SR 1, complete
40	T2	145 0938	Air cylinder SR 2, complete
41	T1	151 5051	Silencer 1
42	T2	144 6088	Silencer 2
43		145 7750	Pressure relief valve, complete
44		143 5484	O-ring
45		143 5667	Connecting nipple
46		144 6030	Sealing ring
47		143 5648	Spacer cage
48		143 5647	Rod seal
49		143 6248	Washer
50		143 6187	Rod seal
51 •		143 5675	Piston seal
52		143 5652	Piston housing
53		143 5688	O-ring
54	T1	144 6026	Stopper 1
	T2	144 6073	Stopper 2
55		144 6089	Screw
56		144 5773	Housing screw short
57		143 5486	O-ring
58		143 5492	Al nut
59 •	T1	143 5658	Piston seal
	T2	143 5841	Piston seal
60 •	T1	143 5657	Guide ring 1
	T2	143 5825	Guide ring 2
61 •	T1	143 5656	Piston seal
	T2	143 5670	Piston seal
62	T1	145 7751	Air piston 1, complete
	T2	145 7860	Air piston 2, complete
63 •	T1	143 5660	O-ring
	T2	143 5834	O-ring
64 •	T1	143 5659	Rod seal
	T2	143 5635	Rod seal
65	T1	144 6027	Snap ring
	T2	144 6082	V-profile ring
66	T1	143 5680	O-ring
	T2	143 5839	O-ring
67	T1	145 7752	Cylinder 1, complete
	T2	145 7861	Cylinder 2, complete
68	T1	143 5508	Bottom 1
	T2	143 5761	Bottom 2
69	T1	143 6394	Rubber foot 1
70	T2	143 6371	Rubber foot 2
		144 5294	Hydraulic oil refill bottle, 100 ml

• Wearing parts

 You will find detailed nosepiece allocation tables from page 134.

HYDRO-PNEUMATIC BLIND RIVETING TOOLS

TAURUS® 1 Speed Rivet Axial eco **TAURUS® 2 Speed Rivet Axial eco**



HYDRO-PNEUMATIC BLIND RIVETING TOOLS

TAURUS® 1 Speed Rivet Axial eco TAURUS® 2 Speed Rivet Axial eco

		No.	
1 •		145 7753	Spreader nosepiece 3.2. complete
		145 7754	Spreader nosepiece 4.0. complete
		145 7755	Spreader nosepiece 4.8. complete
		145 7756	Spreader nosepiece 3.2. extended complete
		145 7757	Spreader nosepiece 4.0 extended complete
		145 7758	Spreader nosepiece 4.8 extended complete
		145 0906	Spreader nosepiece 3.2 with opening mechanism complete
		145 0907	Spreader nosepiece 4.0 with opening mechanism complete
		145 0908	Spreader nosepiece 4.8 with opening mechanism complete
		145 0909	Spreader nosepiece 3.2 extended with opening mechanism, complete
		145 0910	Spreader nosepiece 4.0 extended with opening mechanism, complete
	145 0911	Spreader nosepiece 4.8 extended with opening mechanism, complete	
2 •		145 7759	Spring 3.2, complete
		145 7761	Spring 4.0, complete
		145 7763	Spring 4.8, complete
		145 7760	Spring 3.2 extended, complete
		145 7762	Spring 4.0 extended, complete
		145 7764	Spring 4.8 extended, complete
3 •		145 0918	Slide lock, complete
4		143 5705	Locator for guide tube SR
5 •		143 5710	Guide tube 2 SR
		143 5685	Guide tube long 2 SR
6 •		143 5709	Guide tube 1 SR
7		143 5712	End screw SR
8		143 5952	Ring
9		143 4266	O-ring
10		143 4462	O-ring
11	T1	145 0924	Tool head, assembled 1 SR
	T2	145 0940	Tool head, assembled 2 SR
12		144 6013	Oil screw plug
13		143 5612	Sealing ring M4
14 •		145 7765	Oil piston, complete
15 •		143 5723	Piston seal
16		143 5722	Pull tube SR
17		143 5721	Spring
18		144 6053	O-ring
19		146 4433	Connection block
20 •		144 6051	Rod seal
21		144 6049	Screw connection
22		144 5970	Allen screw
23		144 6045	Tube
24		143 5702	Clamp housing
25		143 5704	Pressure sleeve
26		143 5699	Compression spring
27		143 5701	Jaw
28		145 7766	Jaw guide, complete
29 •		144 6052	O-ring
30		145 0920	Cover, complete
31		145 0921	Protective tube, complete
32		143 5714	Protective cap
33 •		143 5472	Flat gasket 1
34		145 0925	Grip, complete
35		144 6230	Hose connector
36		143 5642	Slider
37		143 6169	Orifice
38 •		143 5480	Flat gasket 2

		No.	
39	T1	145 0923	Air cylinder SR 1, complete
40	T2	145 0938	Air cylinder SR 2, complete
41	T1	151 5051	Silencer 1
42	T2	144 6088	Silencer 2
43		145 7750	Pressure relief valve, complete
44		143 5484	O-ring
45		143 5667	Connecting nipple
46		144 6030	Sealing ring
47		143 5648	Spacer cage
48		143 5647	Rod seal
49		143 6248	Washer
50		143 6187	Rod seal
51 •		143 5675	Piston seal
52		143 5652	Piston housing
53		143 5688	O-ring
54		144 6026	Stopper 1
		144 6073	Stopper 2
56		144 6089	Screw
57		144 5773	Housing screw, short
58		143 5486	O-ring
59		143 5492	Al nut
60 •	T1	143 5658	Piston seal
	T2	143 5841	Piston seal
61 •	T1	143 5657	Guide ring 1
	T2	143 5825	Guide ring 2
62 •	T1	143 5656	Piston seal
	T2	143 5670	Piston seal
63	T1	145 7751	Air piston 1, complete
	T2	145 7860	Air piston 2, complete
64 •	T1	143 5660	O-ring
	T2	143 5834	O-ring
65 •	T1	143 5659	Rod seal
	T2	143 5635	Rod seal
66	T1	144 6027	Snap ring
	T2	144 6082	V-ring
67	T1	143 5680	O-ring
	T2	143 5839	O-ring
68	T1	145 7752	Cylinder 1, complete
	T2	145 7861	Cylinder 2, complete
69	T1	143 5508	Bottom 1
	T2	143 5761	Bottom 2
70		143 5538	Holder
71		144 5630	Allen screw
72		144 6085	Allen screw
73		143 5684	Holder
74		144 6042	Allen screw
75		143 5682	Hanger
		143 5683	Hanger long
76		143 5575	Grip
77		144 6134	Hose
78		144 6087	Fillister head screw
79		145 6753	Valve complete
80		144 5262	Nut
81		144 5342	Screw
		144 5294	Hydraulic oil refill bottle, 100 ml

• Wearing parts


* The length required must always be specified on the order; the article numbers always refers to the price per metre.




You will find detailed nosepiece allocation tables from page 134.

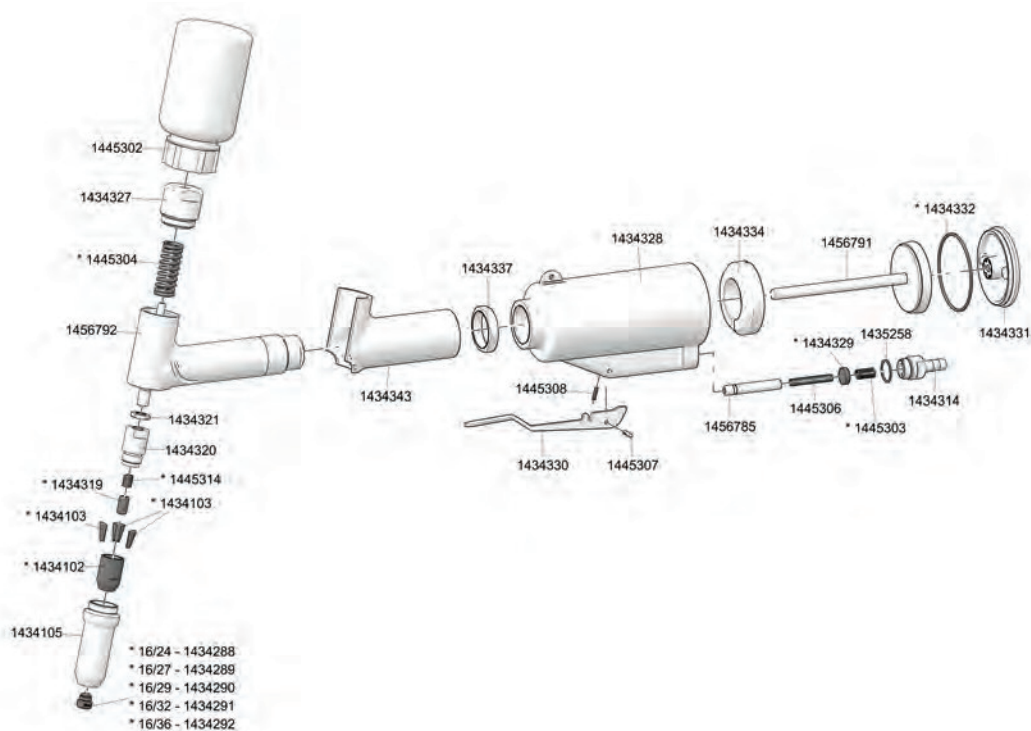
HYDRO-PNEUMATIC BLIND RIVETING TOOLS

PH 2

No.	
143 4102*	Jaw housing
143 4103*	Jaws (3-part)
143 4105*	Steel head sleeve
143 4288*	Nosepiece 16/24
143 4289*	Nosepiece 16/27
143 4290*	Nosepiece 16/29
143 4291*	Nosepiece 16/32
143 4292*	Nosepiece 16/36
143 4311	Universal wrench MSU
143 4315	Tool head
143 4318*	Piston guide with wiper
143 4319*	Jaw pusher
143 4320	Jaw adapter
143 4321	Nut
143 4322	Piston
143 4323*	K seal
143 4324*	K seal
143 4325	Sealing ring holder
143 4326*	K seal
143 4327	Closure screw
143 4328	Tool body
143 4329*	Valve spud
143 4330	Release lever
143 4331	End cap complete
143 4332*	Round cord packing ring

No.	
143 4334	Buffer ring
143 4337	Locking nut
143 4343	Plastic grip
143 5258	Sealing ring
143 5262	Jaw pusher with reducing tube for thin mandrels Ø up to 2.3 mm
144 5302	Spent mandrel container
144 5303*	Compression spring
144 5304*	Return spring
144 5305	Snap ring
144 5306	Valve spring
144 5307	Grooved pin
144 5308	Compression spring
144 5314*	Compression spring
145 6780	Hydraulic oil (1 bottle) 250 ml
145 6784	Hose fitting with sealing ring
145 6785	Valve tube
145 6791	Air piston, complete
145 6792	Tool head assembly

* Wearing parts



You will find spare part kits from page 371.
You will find detailed nosepiece allocation tables from page 134.

HYDRO-PNEUMATIC BLIND RIVETING TOOLS

PH Axial

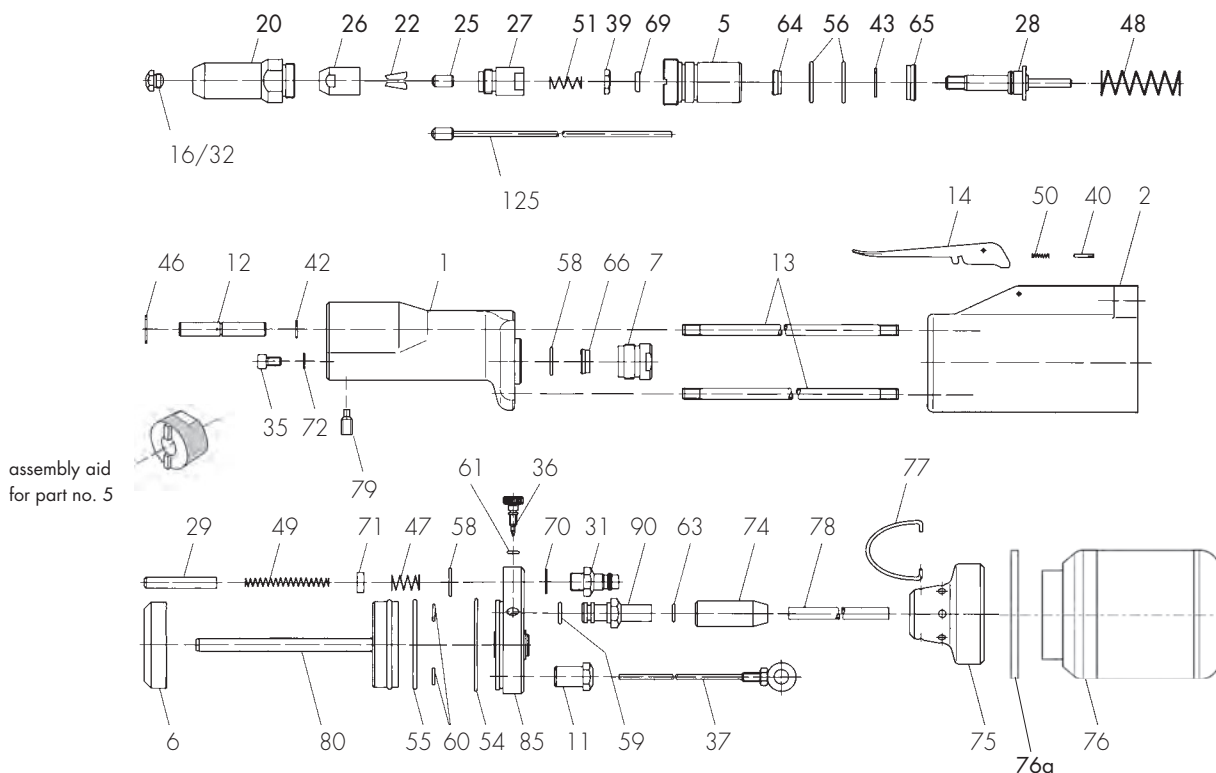
No.		
1	143 6115	Tool head
2	143 6117	Tool body
5	145 8066	Piston guide with wiper no. 69
	143 6114	Temporary attachment for part no. 5
6	143 6118	Damping ring
7	143 6119	Sealing ring mount
11	143 6123	Connection screw
12	143 6124	Guide tube
13	143 6125	Draw bar
14	143 6126	Release lever
16/24 •	143 4288	Nosepiece
16/27 •	143 4289	Nosepiece
16/29 •	143 4290	Nosepiece
16/32 •	143 4291	Nosepiece
16/36 •	143 4292	Nosepiece
20	143 4105	Head
22 •	143 4103	Jaws (3-part)
25 •	143 4319	Jaw pusher
26 •	143 4102	Jaw housing
27	143 4320	Jaw adapter
28	143 4322	Piston
29	145 6785	Valve tube
31	144 6166	Connection plug
35	144 5700	Cylinder screw (together)
36	143 5257	Valve screw
37	143 6132	Eye bolt with assembly mandrel
39	143 4321	Nut
40	144 5307	Grooved pin
42	144 6167	Snap ring
43	144 5305	Snap ring
46	144 6168	Supporting washer
47	143 6133	Compression spring
48 •	144 5304	Return spring
49	144 5306	Valve spring
50	144 5308	Compression spring

No.		
51 •	144 5314	Compression spring
54	143 6135	O-ring
55	143 6134	O-ring
56	143 6136	O-ring
58	143 4497	O-ring
59	143 6137	O-ring
60	143 6116	Rod seal
61	143 5256	O-ring
63	143 6138	O-ring
64 •	143 4323	K seal
65 •	143 4324	K seal
66 •	143 4326	K seal
69	143 6139	Wiper
70	144 6169	Sealing ring
71 •	143 4329	Valve spud
72	143 6140	USIT ring
74	145 8068	Union with O-ring no. 63
75 *	143 6141	Adapter
76 *	144 6164	Spent mandrel container
76 a	143 6142	Impact washer
77 *	144 5265	Suspension bracket
78	143 6143	Drain hose (1.5 m long)
79	144 5819	Stud bolt
80	145 8070	Air piston complete with no. 55 and 60
85	145 8071	End cap complete
90	145 8072	Screw-in nozzle, complete
95	145 8073	Hydraulic seal kit with part no. 54, 56, 58, 64, 65, 66
100	145 8074	Pneumatic seal kit for air piston no. 80 with part no. 54, 55, 60
125 •	143 6130	Jaw pusher with reducing tube for blind rivets up to 4 mm Ø and Al and Cu
	145 6780	Hydraulic oil refill bottle 250 ml



• Wearing parts

*Special accessories

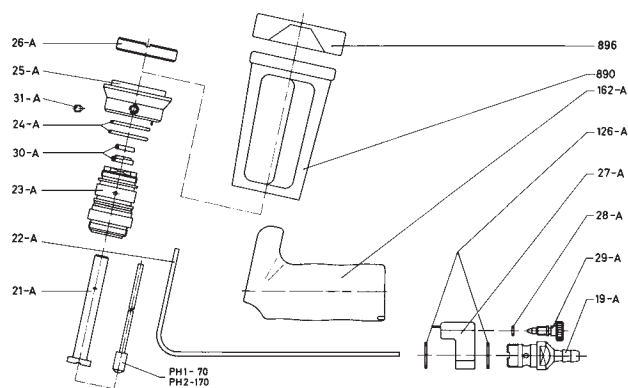
! You will find detailed nosepiece allocation tables from page 134.




VAS for PH 1 and PH 2

	No.	
19-A	143 5248	Connecting nipple
21-A	143 5249	Nozzle tube
22-A •	143 5250	Plastic tube
23-A	143 5251	Connection screw complete with 24-A and 30-A
24-A •	143 5252	O-ring set
25-A	143 5253	Connection ring complete with 31-A and nipple
26-A	143 5254	Slotted nut
27-A	143 5255	Valve body with hose adapter
28-A •	143 5256	O-ring
29-A	143 5257	Valve screw
30-A •	143 5259	Scraper ring set
31-A	144 5828	Locking screw
126-A •	143 5258	Sealing ring
162-A	143 5260	Plastic grip
890	143 4233	Spent mandrel container, complete
896	144 5295	Air deflector
70	143 5261	PH 1 jaw pusher with reducing tube for thin mandrels up to 2.3 mm Ø
71	143 4270	PH 1 jaw pusher with reducing tube for thin mandrels up to 3.2 mm Ø
170	143 5262	PH 2 jaw pusher with reducing tube for thin mandrels up to 2.3 mm Ø
176	143 4311	Universal wrench MSU

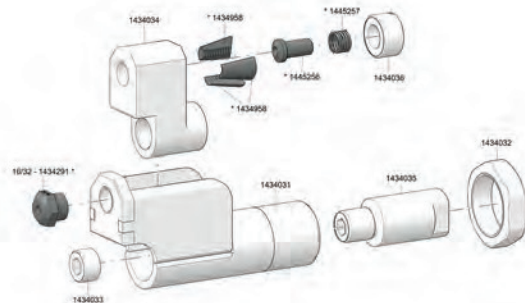
• Wearing parts





Angle head for PH 1 and PH 2

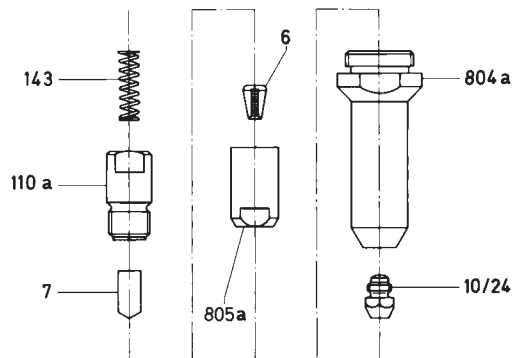
No.	
1434031	Housing
1434032	Knurled nut
1434033	Locking nut
1434034	Jaw housing
1434035	Lock activator
1434036	End screw
1434285*	Nosepiece 16/18
1434288*	Nosepiece 16/24
1434289*	Nosepiece 16/27
1434290*	Nosepiece 16/29
1434291*	Nosepiece 16/32
1434958*	Jaws
1445256*	Jaw pusher
1445257*	Compression spring
143 4288	Nosepiece
143 4289	Nosepiece
143 4290	Nosepiece
143 4291	Nosepiece

* Wearing parts





Small jaw assembly for PH 1 and PH 2

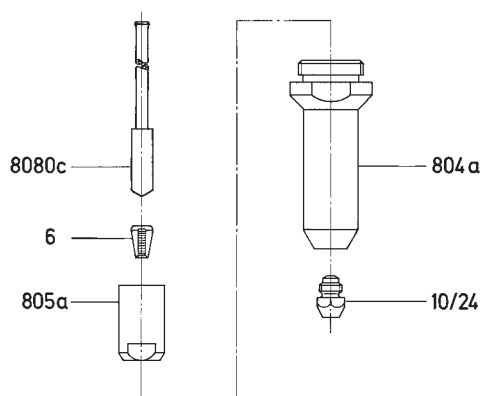
	No.	
6 •	143 4071	Jaws (2-part) per set
7 •	143 4242	Jaw pusher
10/18 •	143 4055	Nosepiece
10/24 •	143 4061	Nosepiece
10/27 •	143 4062	Nosepiece
10/29 •	143 4064	Nosepiece
10/32 •	143 4065	Nosepiece
71	143 4270	PH 1 jaw pusher with reducing tube for 2.4 mm Ø Al and 3.2 mm Ø CAP® blind rivets
110 a	143 4345	Jaw adapter
143 •	144 5314	Compression spring
804 a	143 4346	Steel head sleeve
805 a •	143 4344	Jaw housing



• Wearing parts



Small jaw assembly for PH 2000

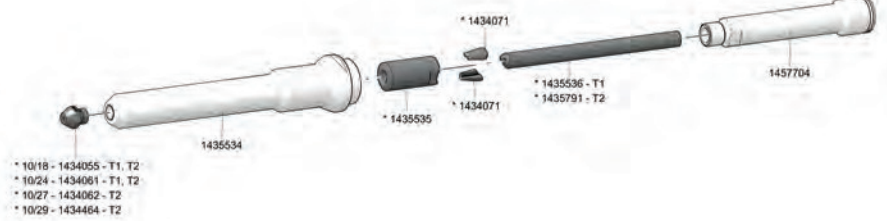
	No.	
6 •	143 4071	Jaws (2-part) per set
10/18 •	143 4055	Nosepiece
10/24 •	143 4061	Nosepiece
10/27 •	143 4062	Nosepiece
10/29 •	143 4064	Nosepiece
10/32 •	143 4065	Nosepiece
804 a	143 4346	Steel head sleeve
805 a •	143 4344	Jaw housing
8080 c •	143 4169	Jaw pusher with nozzle tube



• Wearing parts



Small jaw assembly for TAURUS® 1 & 2

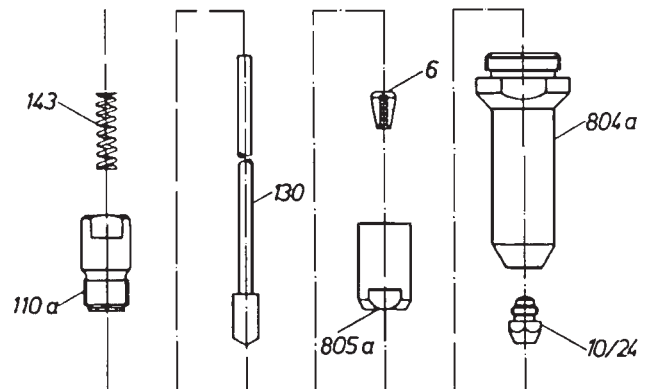
	No.	
T1, T2	1434055*	Nosepiece 10/18
T1, T2	1434061*	Nosepiece 10/24
T2	1434062*	Nosepiece 10/27
T1, T2	1434071*	Jaws 2 parts
T2	1434464*	Nosepiece 10/29
T1, T2	1435534	Steel head sleeve
T1, T2	1435535*	Jaw housing
T1	1435536*	Jaw pusher
T2	1435791*	Jaw pusher



* Wearing parts



Small jaw assembly for PH-Axial

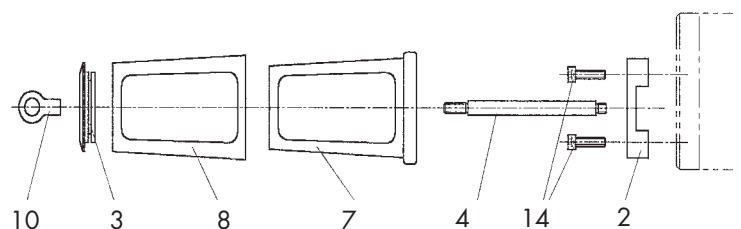
	No.	
298	145 8075	Small jaw assembly complete with nosepiece 10/24 (optionally also with 10/18, 10/27, 10/29, 10/32)
6 •	143 4071	Jaws (2-part) per set
10/18 •	143 4055	Nosepiece
10/24 •	143 4061	Nosepiece
10/27 •	143 4062	Nosepiece
10/29 •	143 4064	Nosepiece
10/32 •	143 4065	Nosepiece
110 a	143 4345	Jaw adapter
143 •	144 5314	Compression spring
804 a	143 4346	Head
805 a •	143 4344	Jaw housing
130 •	143 6131	Jaw pusher with reducing tube for blind rivets up to 4 mm Ø and Al and Cu



• Wearing parts

Spent mandrel container for PH-Axial


	No.	
2	143 6120	Adapter
3	143 6121	Cover
4	143 6122	Stud bolt
7	143 6127	Container
8	143 6128	Casing
10	143 6129	Ring eye M6
14	144 6165	Allen screw
	145 8065	Spent mandrel container, complete for PH-Axial

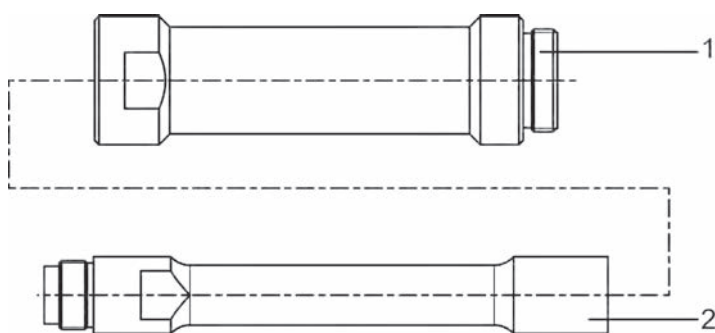


PH1/PH2 extension unit 100 mm

Two-part for PH 1 and PH 2:

Article no. 145 6779


	No.	
1	143 4164	Extension sleeve
2	143 4166	Extension piece

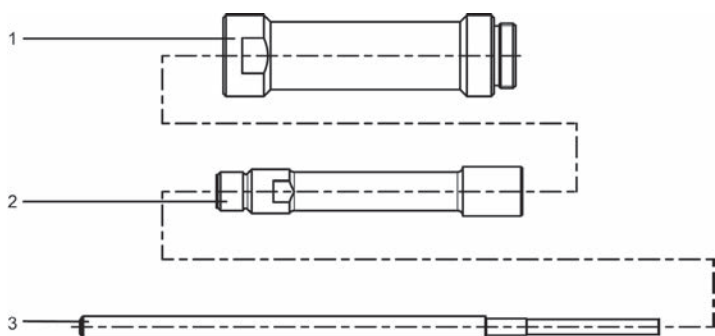


PH 2000 extension unit 100 mm

Three-part for PH 2000:

Article no. 145 6765

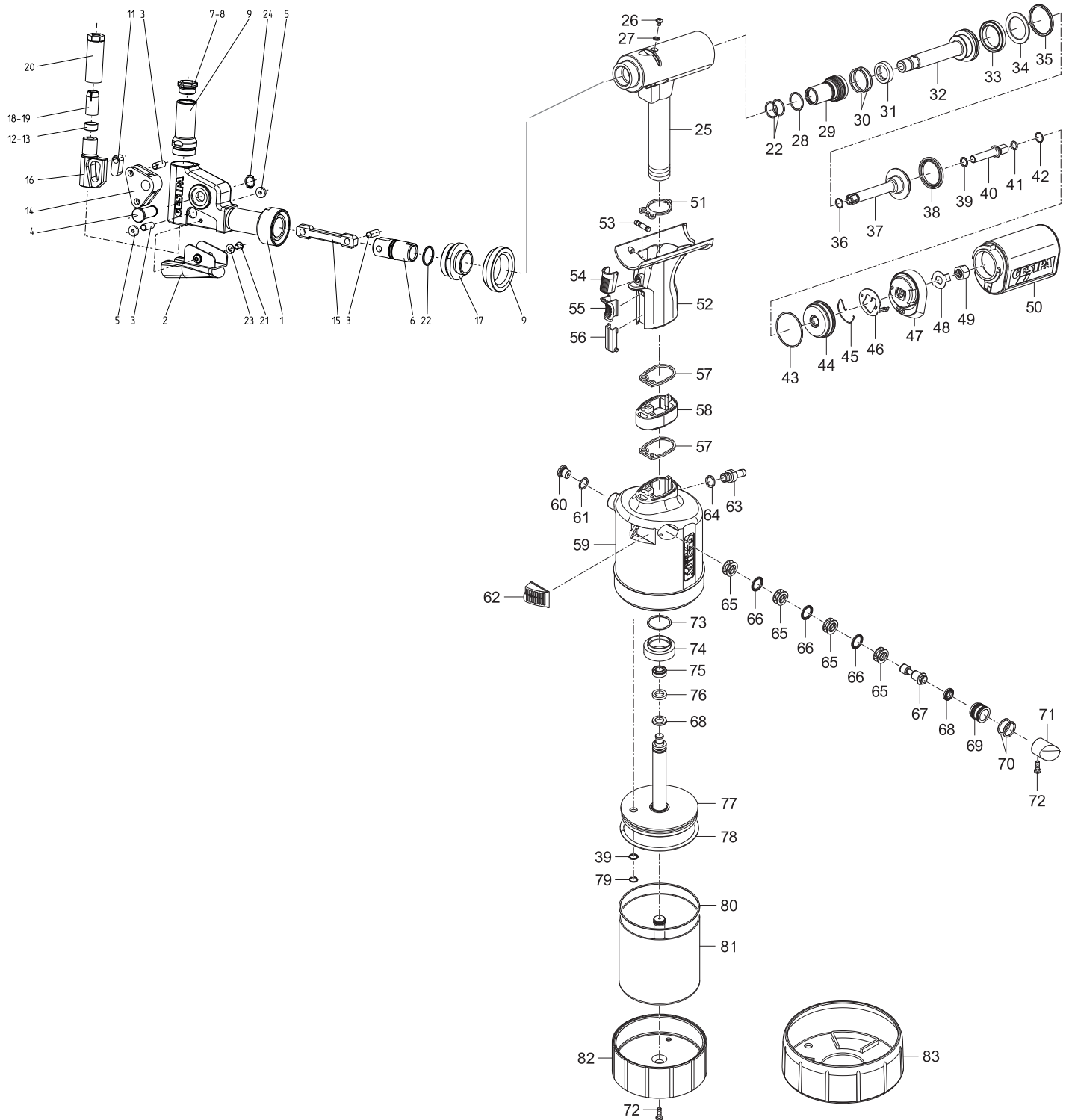
	No.	
1	143 4164	Extension sleeve
2	143 4165	Extension piece
3	143 4170	Jaw pusher with nozzle tube



LOCKBOLT SETTING TOOLS

TAURUS® 4 SRB with angle head 90°

for 6.4mm (1/4") C6L and Magna-Grip® lockbolts





! The suitability of nosepiece and fastener needs to be tested by the user and is user's own responsibility!

LOCKBOLT SETTING TOOLS

TAURUS® 4 SRB with angle head 90°

for 6.4mm (1/4") C6L and Magna-Grip® lockbolts

	No.	
1	145 0977	Housing unit
2	145 0970	Protecting cap
3	143 5908	Bolt
4	143 5911	Bolt
5	143 5914	Spacer
6	143 5919	Fork head
7	143 5993	Nosepiece C6L
8	143 5942	Nosepiece Magna-Grip®
9	143 5952	Ring
10	143 5994	Steel head sleeve
11	143 5935	Piece
12	143 5943	Supporting ring C6L
13	143 5995	Supporting ring Magna-Grip®
14	143 5936	Angle
15	143 5938	Lock activator
16	143 5996	Lock activator
17	143 5959	Adapter
18	144 6116	Insertion tool C6L
19	144 6105	Insertion tool Magna-Grip®
20	143 5997	Housing
21	144 6013	Screw
22	144 6012	O-ring
23	144 5716	Washer
24	144 5545	Snap ring
25	145 7992	Tool head, assembled
26	144 6013	Oil screw plug
27	143 5612	Sealing ring M4
28 •	143 5629	O-ring
29	143 5681	Seal holder, complete
30 •	143 4227	O-ring
31 •	143 5630	Rod seal
32	143 5631	Draw bar
33 •	143 5632	Piston seal
34 •	143 5488	Supporting ring
35 •	143 5485	Piston seal
36	143 5671	O-ring
37	145 7746	Resetting piston, complete
38 •	143 5633	Piston seal
39	143 5635	Rod seal
40	143 5765	Connecting piece
41	143 5519	O-ring
42	144 6167	Snap ring

	No.	
43	143 5524	O-ring
44	143 5532	End cap
45	144 6028	Retaining spring
46	143 5664	Retainer
47	143 5663	Adapter
48	143 5842	Lock washer
49	143 5766	Connecting piece nut
50	143 5964	Spent mandrel container, complete
51 •	143 5472	Flat gasket 1
52	145 7748	Grip, complete
53	145 7747	Distributing valve complete
54	144 6025	Activation button
55	143 5642	Slider
56	143 5686	Orifice
57 •	143 5480	Flat gasket
58	143 5998	Grip, complete
59	145 7993	Air cylinder, complete
60	145 7750	Pressure relief valve
61	143 5484	O-ring
62	145 7956	Silencer
63	143 5667	Connecting nipple
64	144 6030	Sealing ring
65	143 5648	Spacer cage
66	143 5647	Rod seal
67	143 5651	Control piston
68 •	143 5675	Piston seal
69	143 5652	Piston housing
70	143 5688	O-ring
71	144 6100	Stopper
72	144 5773	Housing screw
73	143 5486	O-ring
74	143 5492	Alu nut
75 •	143 6007	Piston seal
76 •	143 6006	Guide ring
77	145 7994	Air piston complete
78 •	143 5937	O-ring
79	144 6082	V-ring
80	143 5927	O-ring
81	145 7995	Cylinder complete
82	143 5874	Bottom
83	143 5900	Rubber foot

• Wearing parts



The suitability of nosepiece and fastener needs to be tested by the user and is user's own responsibility!

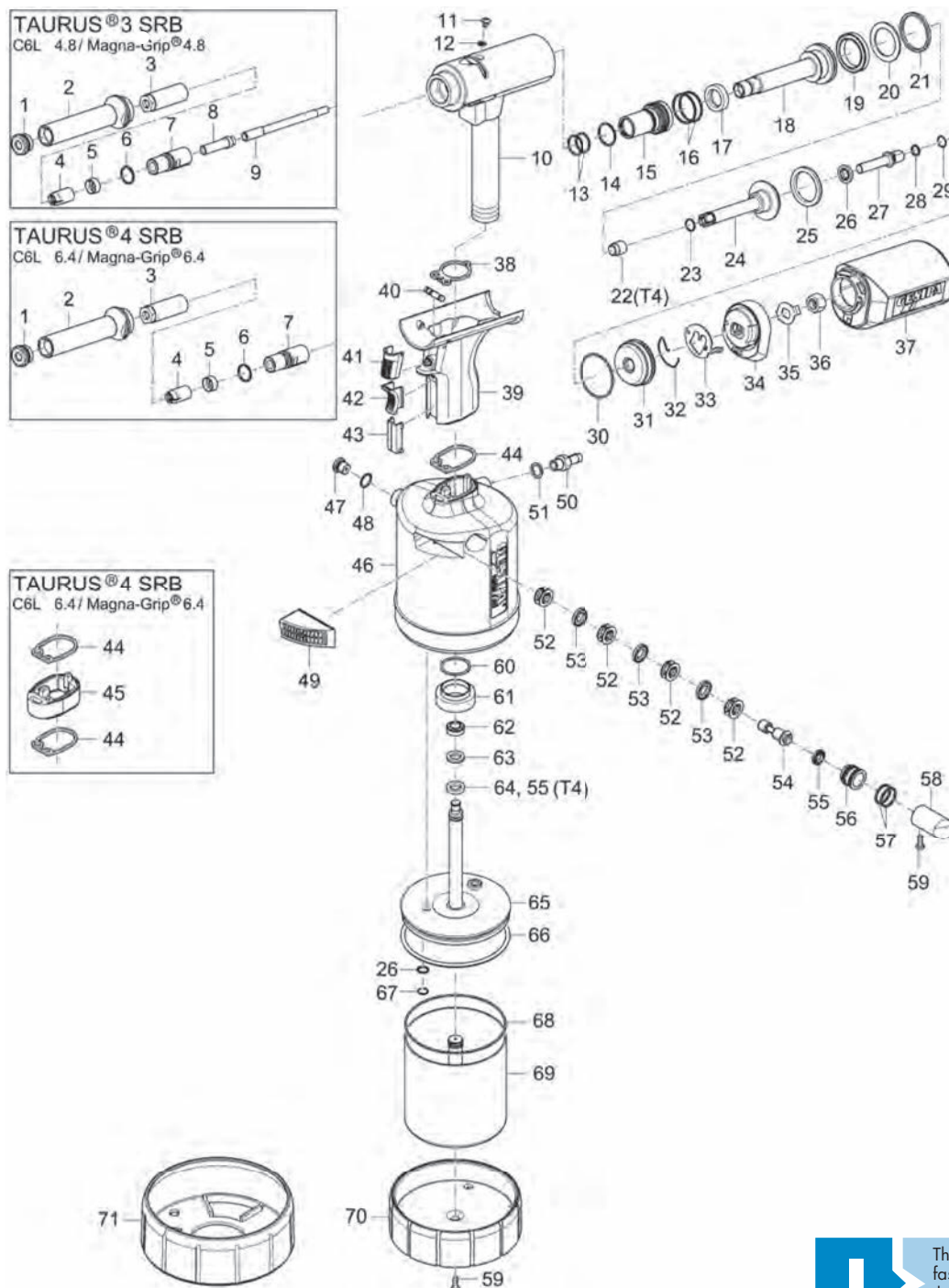
LOCKBOLT SETTING TOOLS

TAURUS® 3 SRB

for 4,8mm (3/16") C6L and Magna-Grip® lockbolts

TAURUS® 4 SRB

for 6,4mm (1/4") C6L and Magna-Grip® lockbolts



! The suitability of nosepiece and fastener needs to be tested by the user and is user's own responsibility!




LOCKBOLT SETTING TOOLS




TAURUS® 3 SRB

for 4,8mm (3/16") C6L and Magna-Grip® lockbolts

TAURUS® 4 SRB

for 6,4mm (1/4") C6L and Magna-Grip® lockbolts

		No.	
1 •	T3	143 4809	Nosepiece C6L
		143 4810	Nosepiece Magna-Grip®
	T4	143 5993	Nosepiece C6L
		143 5942	Nosepiece Magna-Grip®
2		143 5923	Steel head sleeve
3	T3	143 5944	Clamping jaw housing C6L
		143 5945	Clamping jaw housing Magna-Grip®
	T4	143 5997	Clamping jaw housing
4 •	T3	144 6117	Clamping jaw C6L
		144 6118	Clamping jaw Magna-Grip®
	T4	144 6116	Clamping jaw C6L
		144 6105	Clamping jaw Magna-Grip®
5		143 5943	Supporting ring C6L
	T4	143 5995	Supporting ring Magna-Grip®
6		143 6042	O-ring
7		143 5924	Adapter
8	T3	143 5920	Sleeve
9	T3	143 5886	Nozzle tube 3, longe
10	T3	145 7856	Tool head 2, assembled
	T4	145 7992	Tool head 4, assembled
11		144 6013	Oil screw plug
12		143 5612	Sealing ring M4
13		144 6012	O-ring
14		143 5629	O-ring
15		143 5681	Seal holder, complete
16 •		143 4227	O-ring
17		143 5630	Rod seal
18		143 5631	Draw bar
19		143 5632	Piston seal
20		143 5488	Supporting ring
21		143 5485	Piston seal
22	T4	145 0965	Spacer sleeve
23		143 5671	O-ring
24		145 7746	Resetting piston, complete
25		143 5633	Piston seal
26		143 5635	Rod seal
27		143 5765	Connecting piece 2/3
28		143 5519	O-ring
29		144 6167	Snap ring
30		143 5524	O-ring
31		143 5532	End cap
32		144 6028	Retaining spring
33		143 5664	Retainer
34		143 5663	Adapter
35		143 5842	Lock washer
36		143 5766	Connecting piece nut 2/3
37		143 5964	Spent mandrel container, complete
38		143 5472	Flat gasket 1
39		145 7748	Grip, complete
40		145 7747	Distributing valve, complete
41		144 6025	Activation button
42		143 5642	Slider
43		143 5686	Orifice
44		143 5480	Flat gasket 2

		No.	
45	T4	143 5998	Grip extension
46	T3	145 0960	Air cylinder 3, complete
	T4	145 0996	Air cylinder 4, complete
47		145 7750	Pressure relief valve, complete
48		143 5484	O-ring
49		145 7956	Silencer 3, complete
50		143 5667	Connecting nipple
51		144 6030	Sealing ring
52		143 5648	Spacer cage
53		143 5647	Rod seal
54		143 5651	Control piston
55		143 5675	Piston seal
56		143 5652	Piston housing
57		143 5688	O-ring
58		144 6100	Stopper 3
59		144 5773	Housing screw short
60		143 5486	O-ring
61		143 5492	Al nut
62	T3	143 5841	Piston seal
	T4	143 6007	Piston seal
63	T3	143 5825	Guide ring 2
	T4	143 6006	Guide ring 4
64	T3	143 5670	Piston seal
65	T3	145 7952	Air piston 3, complete
	T4	145 7994	Air piston 4, complete
66		143 5937	O-ring
67		144 6082	V profile ring
68		143 5927	O-ring
69	T3	145 7953	Cylinder 3, complete
	T4	145 7995	Cylinder 4, complete
70		143 5874	Bottom 3
71		143 5900	Rubber foot 3 - 4
		144 5294	Hydraulic oil refill bottle, 100 ml


• Wearing parts



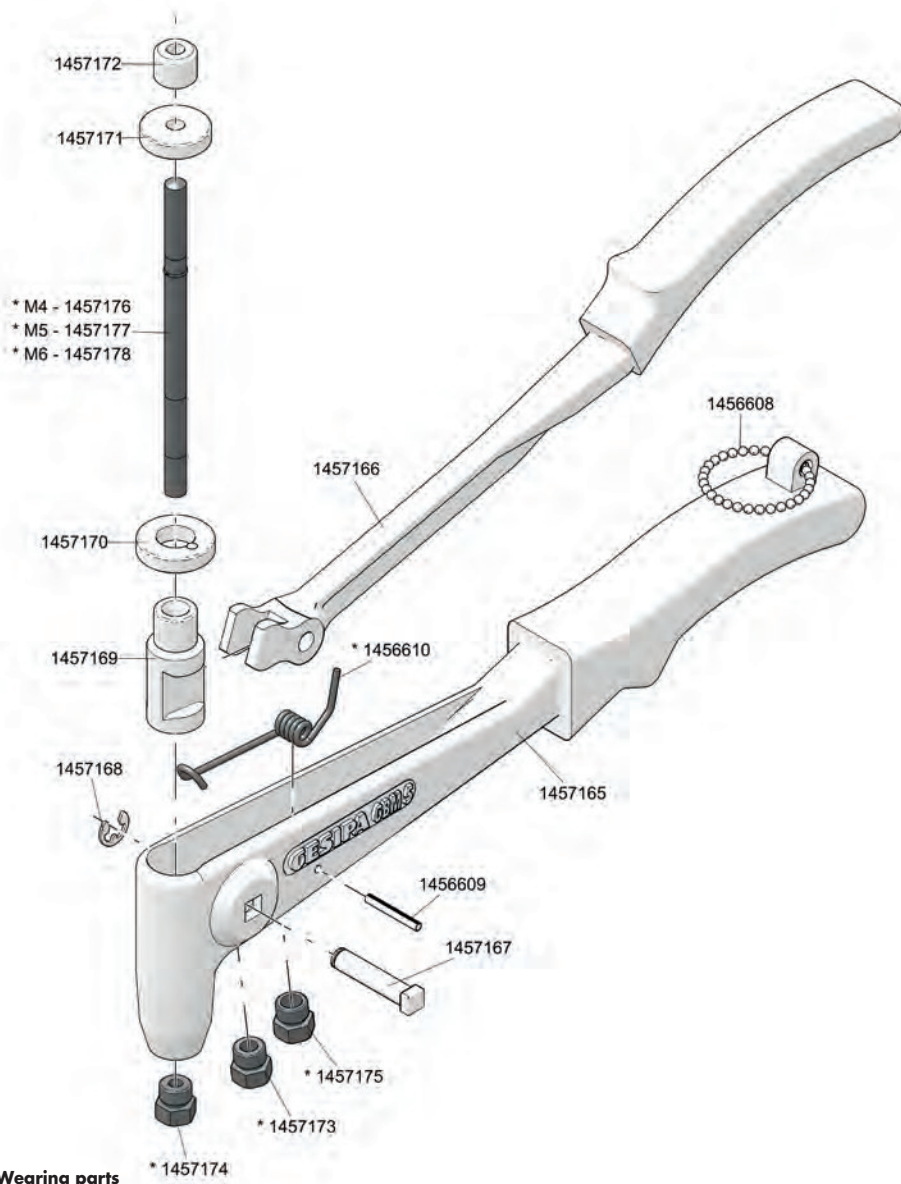
The suitability of nosepiece and fastener needs to be tested by the user and is user's own responsibility!

BLIND RIVETING HAND NUT TOOLS

GBM 5

No.	
145 7165	Tool housing
145 7166	Tool shanks
145 7167	Bolt
145 7168	Snap ring
145 6608	Strap
145 6609	Spring dowel sleeve
145 6610*	Self opening spring
145 7170	Adjusting ring
145 7171	Knurled nut
145 7172	Locking nut
145 7173*	Nosepiece M 4
145 7174*	Nosepiece M 5
145 7175*	Nosepiece M 6
145 7176*	Threaded mandrel M 4
145 7177*	Threaded mandrel M 5
145 7178*	Threaded mandrel M 6

* Wearing parts

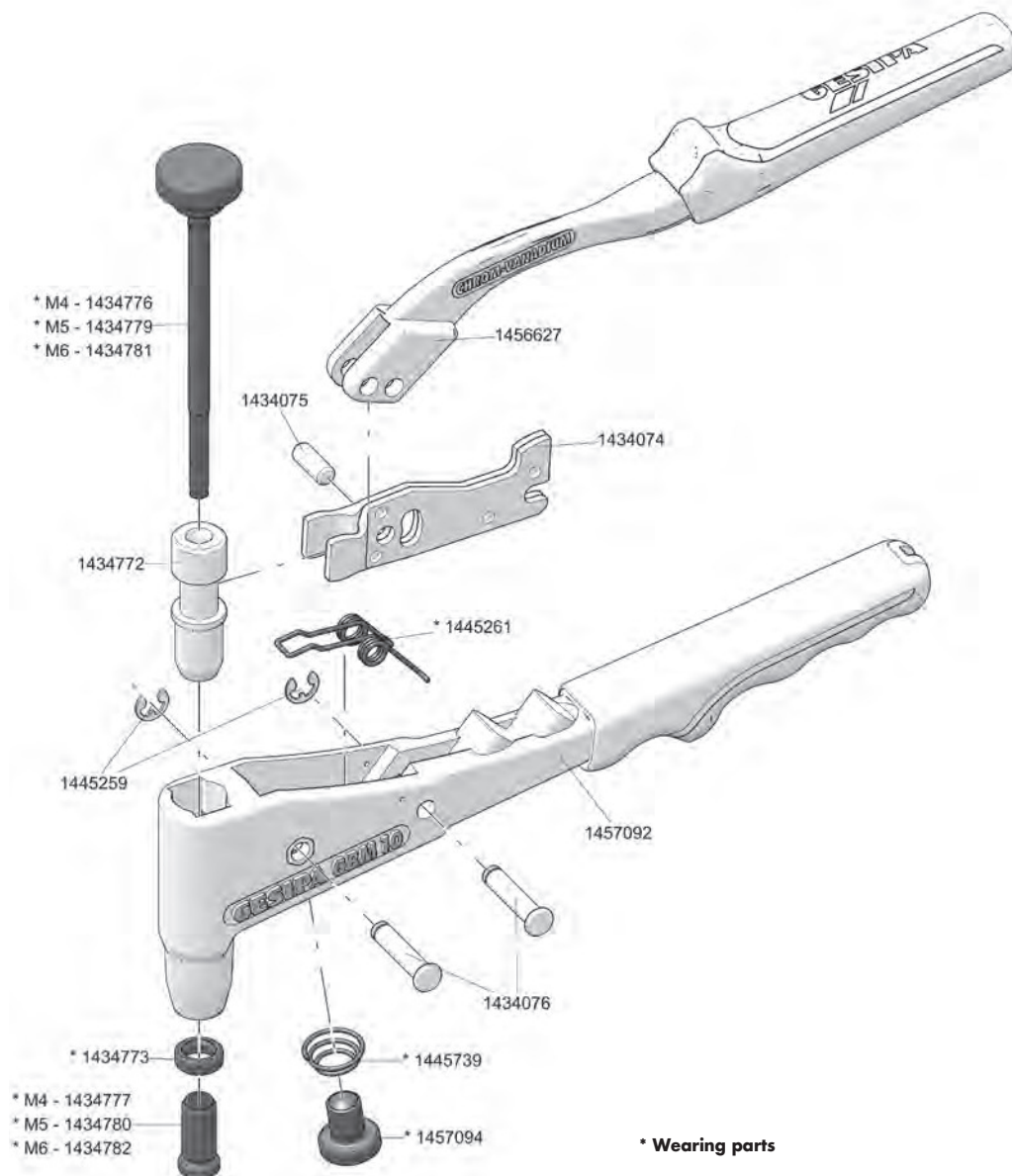


BLIND RIVETING HAND NUT TOOLS

GBM 10



No.	
143 4074	Lever
143 4075	Bolt
143 4076	Bolt
143 4772	Lock activator
143 4773*	Locking nut
143 4776*	Threaded mandrel M 4
143 4777*	Nosepiece M 4 and 8-32"
143 4779*	Threaded mandrel M 5
143 4780*	Nosepiece M 5 and 10-32"
143 4781*	Threaded mandrel M 6
143 4782*	Nosepiece M 6 and 1/4"-20"
144 5259	Snap ring
144 5261*	Self opening spring
144 5739*	Conical spring
145 6627	Tool shanks with sleeve grip
145 7092	Tool housing with sleeve grip
145 7094	Stop screw

* Wearing parts

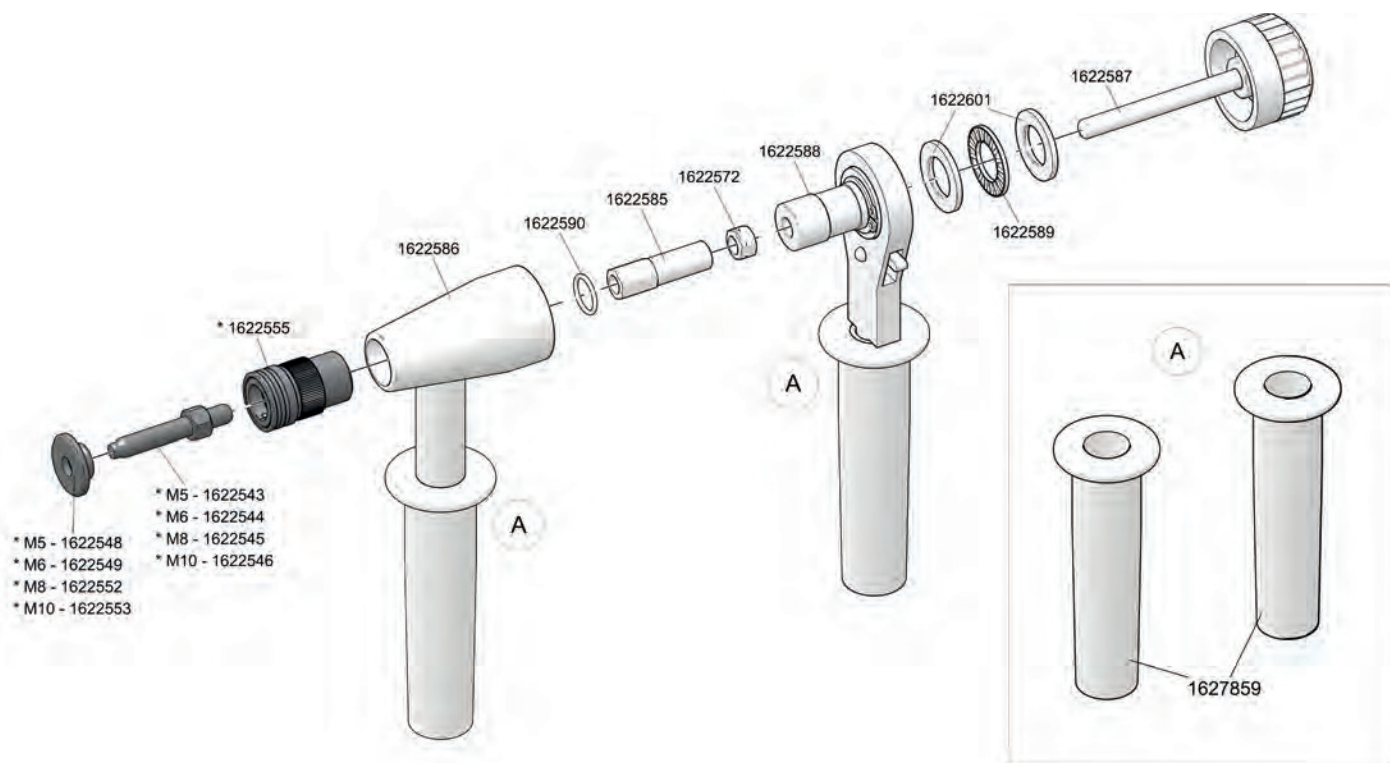


BLIND RIVETING HAND NUT TOOLS

GBM 40-R

No.		No.	
162 2543*	Threaded mandrel M5	162 2572	Locking nut
162 2544*	Threaded mandrel M6	162 2585	Connecting sleeve
162 2545*	Threaded mandrel M8	162 2586	Housing with slide block, lever and grip
162 2546*	Threaded mandrel M10	162 2587	Turning handle
162 2548*	Nosepiece-bit M5	162 2588	Ratchet with Sleeve grip
162 2549*	Nosepiece-bit M6	162 2589	Needle bearing
162 2552*	Nosepiece-bit M8	162 7859	Sleeve grip
162 2553*	Nosepiece-bit M10	162 2590	O-ring
162 2555*	Nosepiece complete	162 2601	Sliding disc

* Wearing parts



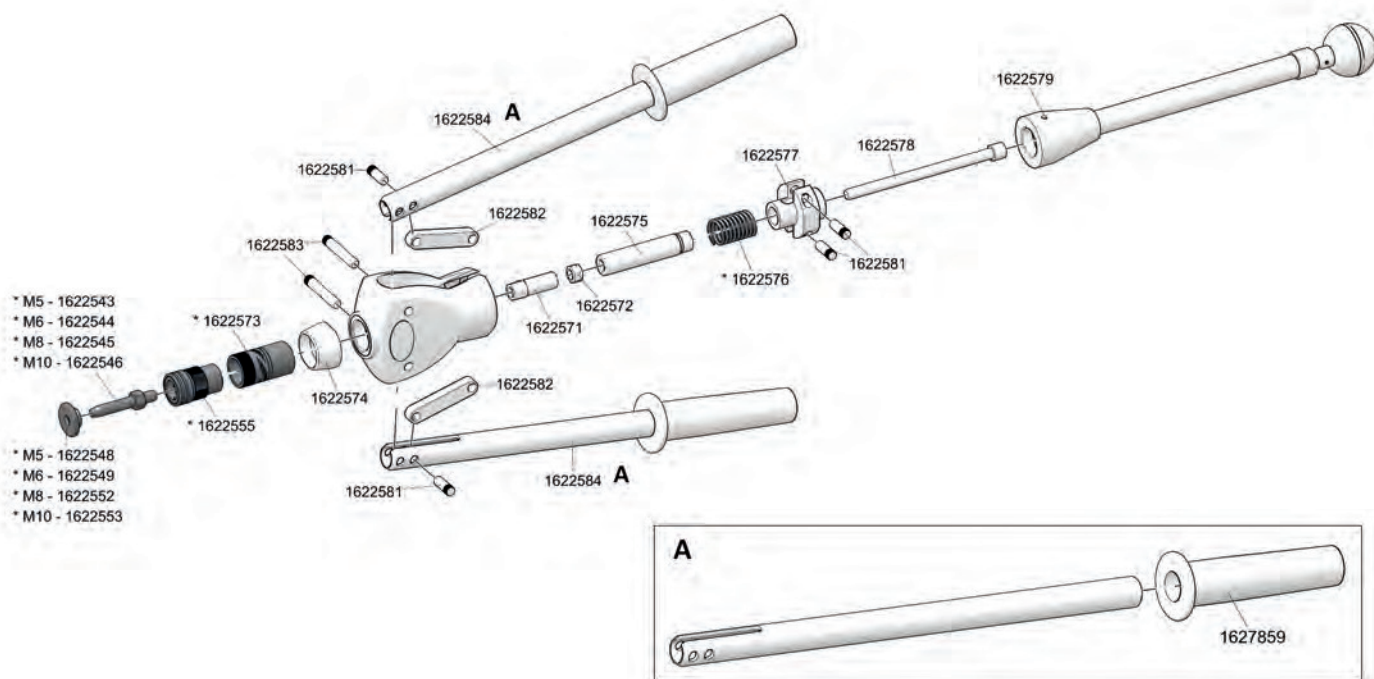
* Wearing parts

BLIND RIVETING HAND NUT TOOLS

GBM 50

No.		No.		No.	
162 2543*	Threaded mandrel M5	162 2571	Connecting sleeve	162 2581	Bolt
162 2544*	Threaded mandrel M6	162 2572	Locking nut	162 2582	Radial bearing
162 2545*	Threaded mandrel M8	162 2573*	Adjusting sleeve	162 2583	Bolt
162 2546*	Threaded mandrel M10	162 2574	Steel head sleeve	162 2584	Lever with Sleeve grip
162 2548*	Nosepiece-bit M5	162 2575	Guide sleeve	162 6916	Threaded mandrel M3
162 2549*	Nosepiece-bit M6	162 2576*	Spring	162 7859	Sleeve grip
162 2552*	Nosepiece-bit M8	162 2577	Closure screw		
162 2553*	Nosepiece-bit M10	162 2578	Shaft		
162 2555*	Nosepiece complete	162 2579	Shaft complete		


* Wearing parts




* Wearing parts

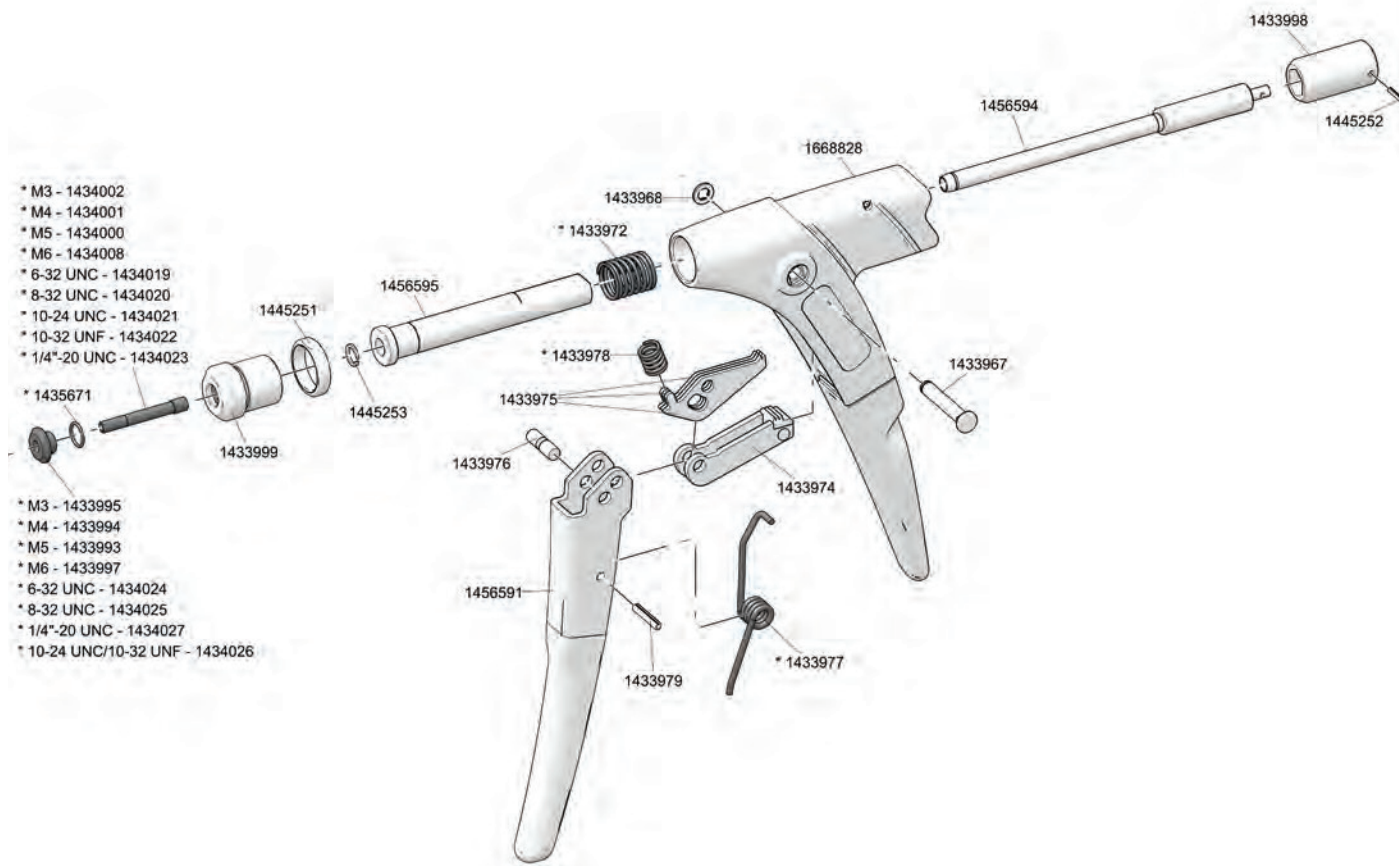
BLIND RIVETING HAND NUT TOOLS

FireFly

No.	
143 3967	Pivot bolt
143 3968	Snap ring
143 3972*	Return spring
143 3974	Drive pawl
143 3975	Storage finger (3-part) per set
143 3976	Bolt
143 3977*	Self opening spring
143 3978	Retaining spring
143 3979	Spring dowel sleeve
143 3993*	Nosepiece-bit - M5
143 3994*	Nosepiece-bit - M4
143 3995*	Nosepiece-bit - M3
143 3997*	Nosepiece-bit - M6
143 3998	Knurled handle
143 3999*	Nosepiece
143 4000*	Threaded mandrel M5
143 4001*	Threaded mandrel M4
143 4002*	Threaded mandrel M3

No.	
143 4008*	Threaded mandrel M6
143 4019*	Threaded mandrel 6-32 UNC
143 4020*	Threaded mandrel 8-32 UNC
143 4021*	Threaded mandrel 10-24 UNC
143 4022*	Threaded mandrel 10-32 UNF
143 4023*	Threaded mandrel 1/4"-20 UNC
143 4024*	Nosepiece-bit 6-32 UNC
143 4025*	Nosepiece-bit 8-32 UNC
143 4026*	Nosepiece-bit 10-24 UNC/10-32 UNF
143 4027*	Nosepiece-bit 1/4"-20 UNC
143 5671	O - ring
144 5251	Knurled nut
144 5252	Clamping sleeve
144 5253	Snap ring
145 6591	Actuating lever with Sleeve grip
145 6594	Adjustment unit
145 6595	Lock activator complete
166 8828	Housing


* Wearing parts




* Wearing parts

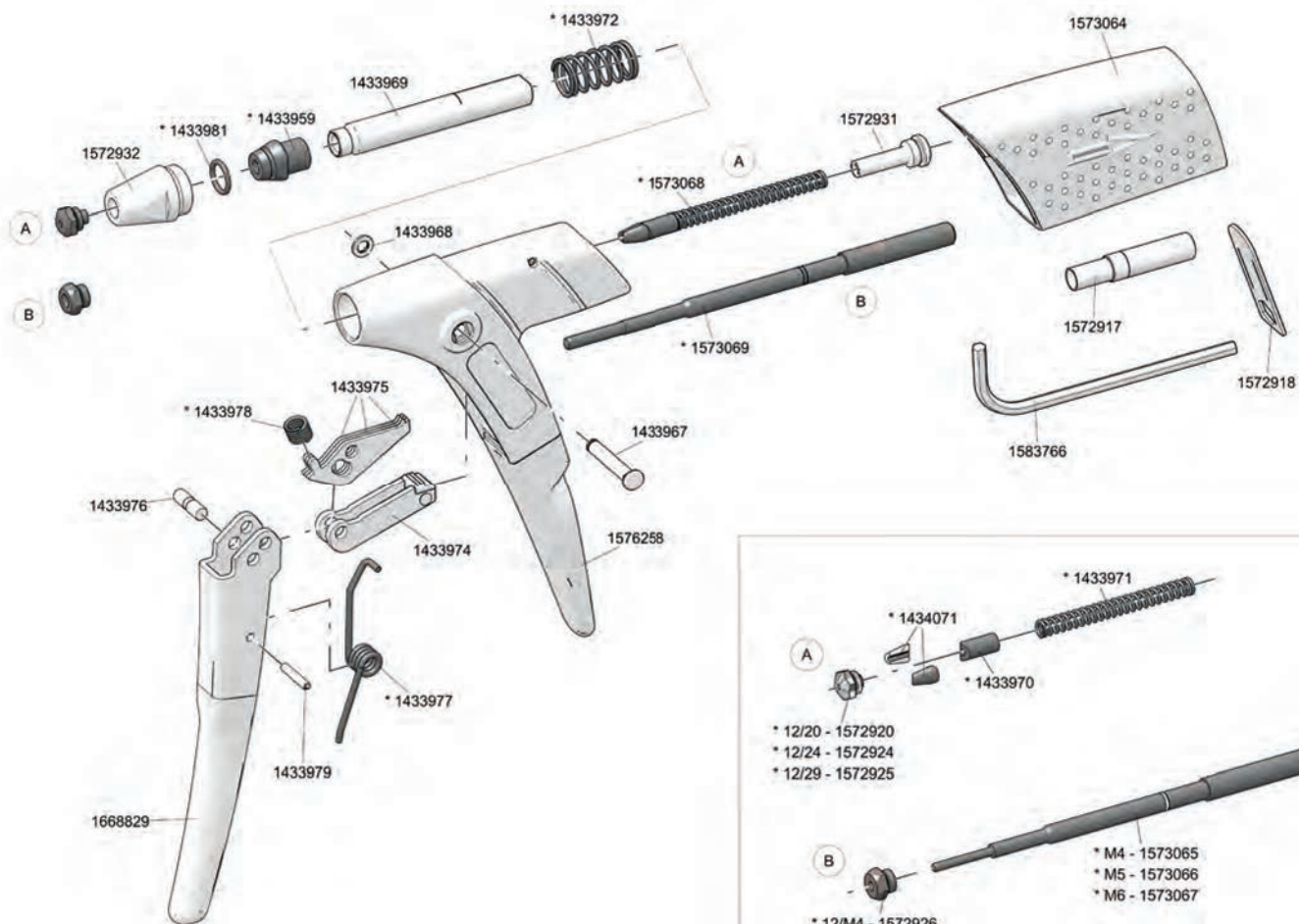
BLIND RIVETING HAND NUT TOOLS

Flipper® Plus

No.	
143 3959*	Jaw housing
143 3967	Pivot bolt
143 3968	Snap ring
143 3969	Lock activator
143 3970*	Jaw Pusher
143 3971*	Compression spring
143 3972*	Compression spring
143 3974	Drive pawl
143 3975	Storage finger (3-part) per set
143 3976	Bolt
143 3977*	Self opening spring
143 3978*	Retaining spring
143 3979	Spring dowel sleeve
143 3981*	O-ring
143 4071*	Jaws (2-part)
157 2917	Assembly aid
157 2918	Assembly key

No.	
157 2920*	Nosepiece 12/20
157 2924*	Nosepiece 12/24
157 2925*	Nosepiece 12/29
157 2926*	Nosepiece M4
157 2927*	Nosepiece M5
157 2929*	Nosepiece M6
157 2931	Closure screw
157 2932	Steel head sleeve
157 3064	Spent mandrel container
157 3065*	Draw bar M4
157 3066*	Draw bar M5
157 3067*	Draw bar M6
157 3068*	Jaw mechanism
157 3069*	Jaw mechanism
157 6258	Housing with slide block, lever and grip
158 3766	Hexagon key
166 8829	Actuating lever

* Wearing parts



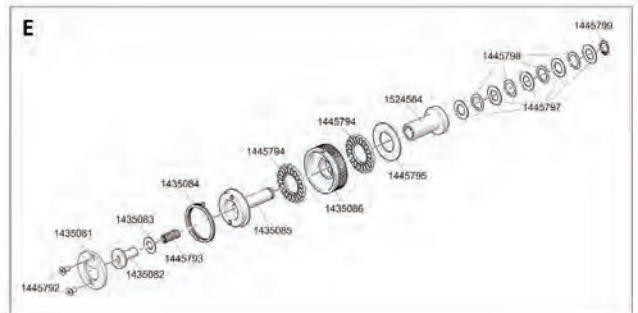
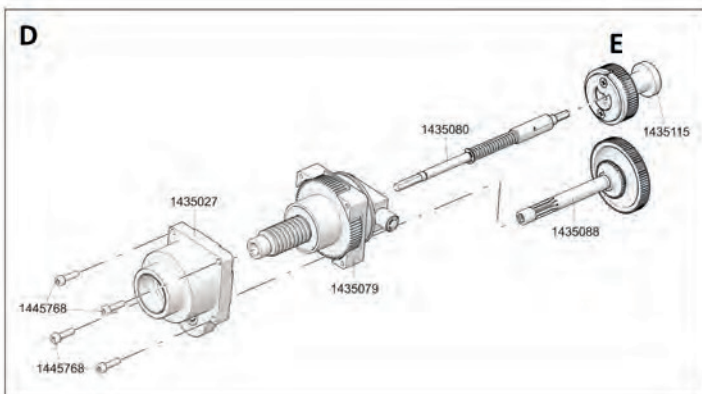
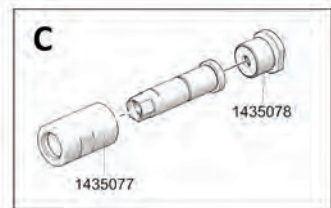
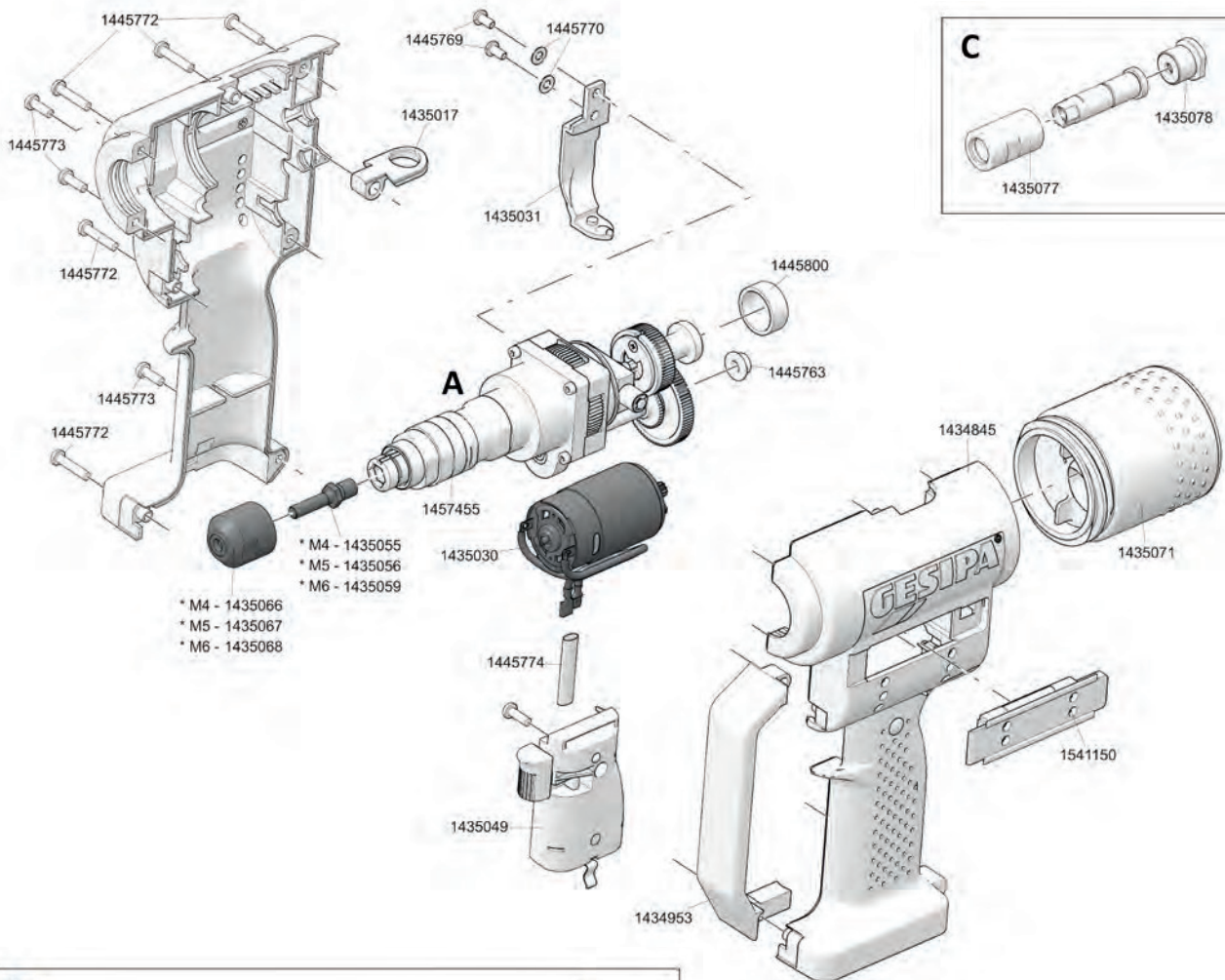
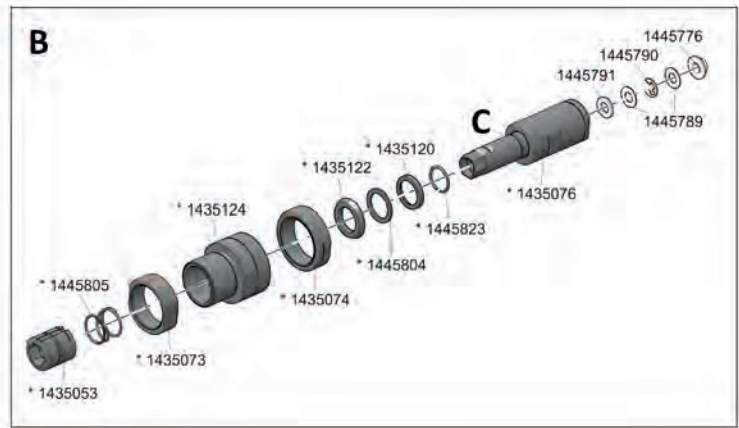
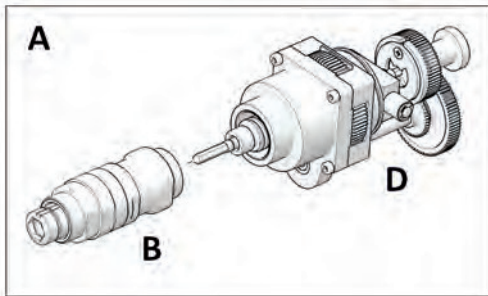
* Wearing parts



You will find detailed nosepiece allocation tables from page 134.

BATTERY POWERED BLIND RIVETING NUT TOOLS

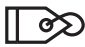
FireBird®




* Wearing parts

BATTERY POWERED BLIND RIVETING NUT TOOLS

FireBird®

No.	
143 4845	Housing complete
143 4953	Hoop guard
143 5017	Hanger
143 5027	Bearing complete
143 5030*	Motor complete
143 5049	E control
143 5053*	Slider
143 5055*	Threaded mandrel M 4
143 5056*	Threaded mandrel M 5
143 5059*	Threaded mandrel M 6
143 5066*	Nosepiece M 4
143 5067*	Nosepiece M 5
143 5068*	Nosepiece M 6
143 5071	Accessories magazine
143 5073*	Locking nut 2
143 5074*	Locking nut 1
143 5075	Head
143 5076	Driver complete
143 5077	Lock activator
143 5078	Spacer
143 5079	Ball screw drive
143 5080	Rotating rod, complete
143 5081	Plate
143 5082	Rotary driver
143 5083	Washer
143 5084	Wrap spring
143 5085	Shaft
143 5086	Coupling
143 5088	Pinion shaft
143 5115	Coupling complete
143 5120*	Lock washer
143 5122*	Bevel washer
143 5124*	Adjusting sleeve
144 5763	Sintered-metal bushing
144 5768	Allen screw
144 5769	Magnetic holder screw
144 5772	Housing screw short long
144 5773	Housing screw short short
144 5774	Hose complete
144 5776	Slide bearing
144 5789	Washer

No.	
144 5790	Lock Washer
144 5791	Washer
144 5792	Countersunk screw
144 5793	Compression spring
144 5794	Axial needle bearing
144 5795	Axial disc
144 5797	Washer
144 5798	Spring washer
144 5799	Snap ring
144 5800	Cap
144 5804*	Washer
144 5805*	Compression spring
144 5823*	Snap ring
145 7455	Drive unit, complete
152 4564	Bushing
154 1150	End cap
	Threaded mandrels SL
	Nosepieces SL
144 5806	Double open-end spanner SW 24/27

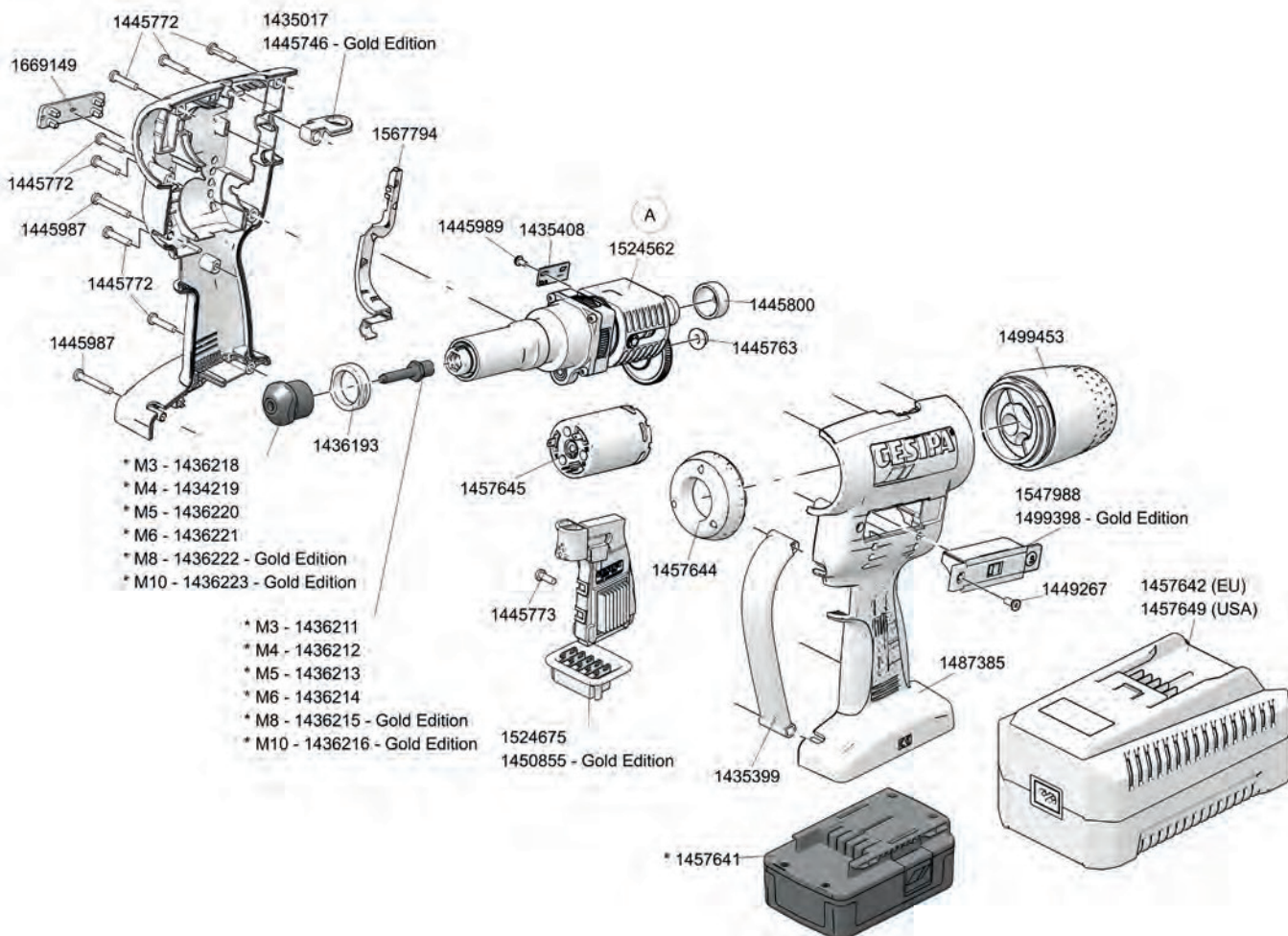
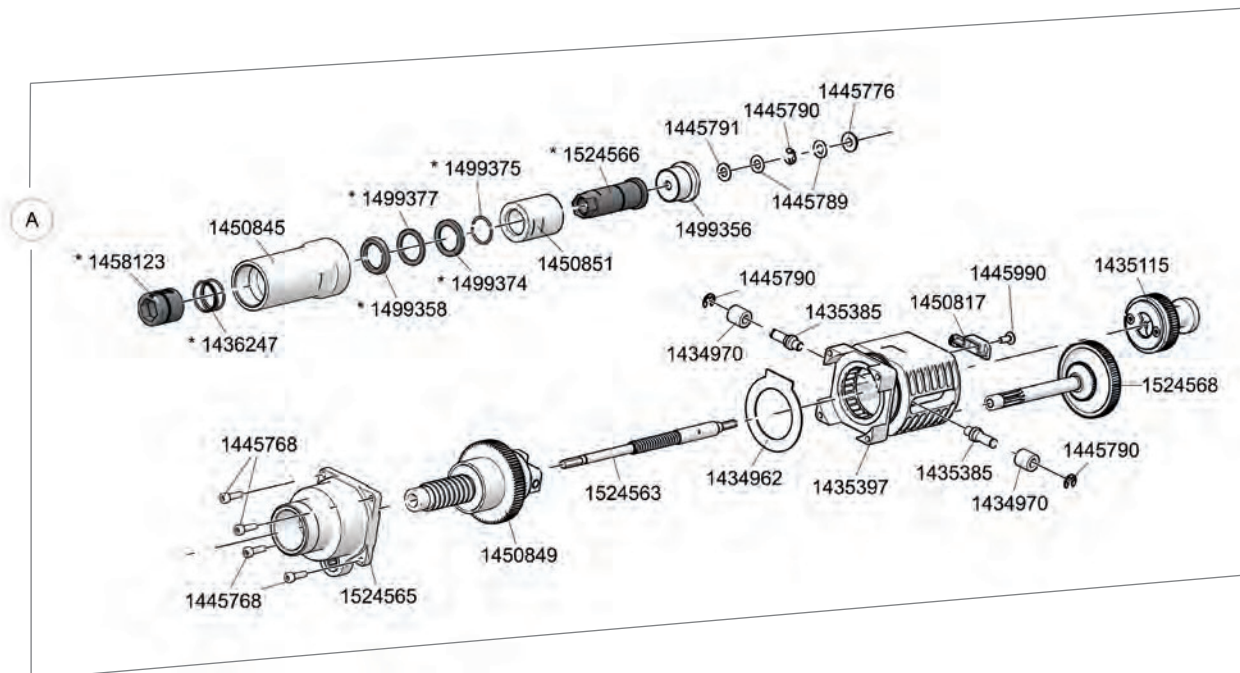
* Wearing parts



You will find detailed nosepiece allocation tables from page 250.

BATTERY POWERED BLIND RIVETING NUT TOOLS



FireBird® Pro and FireBird® Pro Gold Edition - until April 2021





* Wearing parts


BATTERY POWERED BLIND RIVETING NUT TOOLS

FireBird® Pro and FireBird® Pro Gold Edition - until April 2021

No.		
143 4962		Pressure disc
143 4970		Sintered metal roller
143 5017	FB Pro	Hanger
143 5082		Rotary driver
143 5083		Washer
143 5084		Wrap spring
143 5085		Shaft
143 5086		Coupling
143 5115		Coupling complete
143 5385		Pin holder
143 5397		Bearing cage
143 5399		Device hanger
143 5408		Hall pcb
143 6193		Locking nut
143 6211*		Threaded mandrel M3
143 6212*		Threaded mandrel M4
143 6213*		Threaded mandrel M5
143 6214*		Threaded mandrel M6
143 6215*	FB Pro GE	Threaded mandrel M8
143 6216*	FB Pro GE	Threaded mandrel M10
143 6218*		Nosepiece M3
143 6219*		Nosepiece M4
143 6220*		Nosepiece M5
143 6221*		Nosepiece M6
143 6222*	FB Pro GE	Nosepiece M8
143 6223*	FB Pro GE	Nosepiece M10
143 6247*		Spring
144 5746	FB Pro GE	Hanger
144 5763		Sintered-metal bushing
144 5768		Screw
144 5772		Screw
144 5773		Screw
144 5776		Plain bearings
144 5789		Washer
144 5790		Snap ring
144 5791		Washer
144 5793		Spring
144 5794		Needle bearing
144 5795		Axial disc
144 5797		Washer

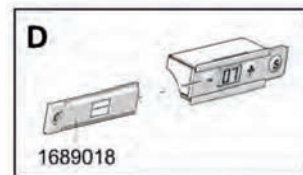
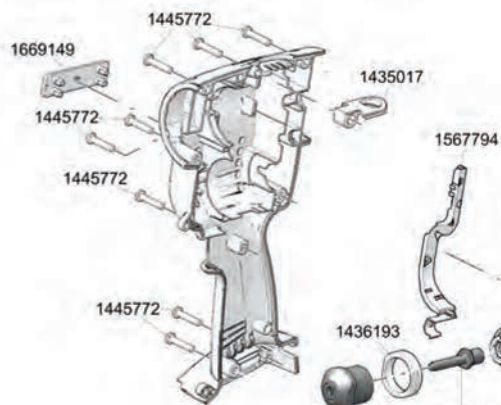
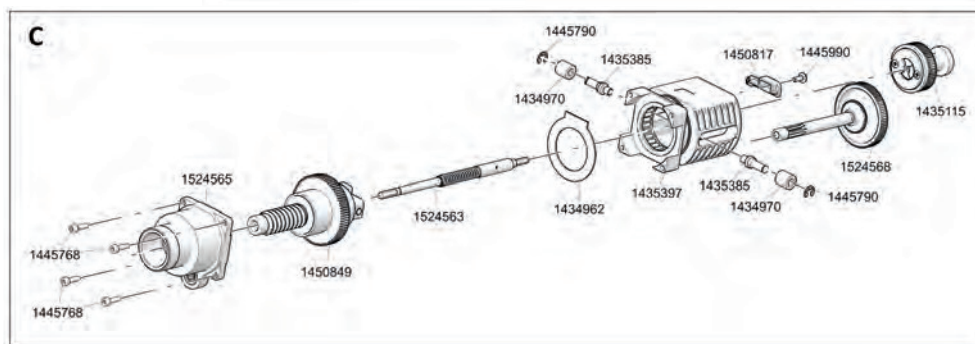
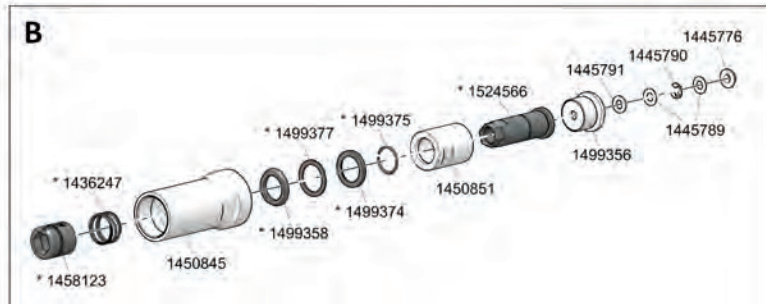
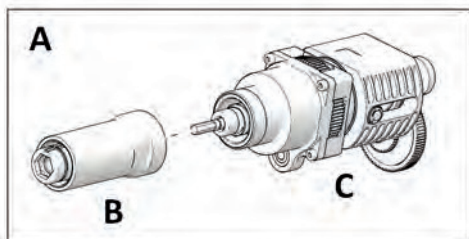
No.		
144 5798		Spring washer
144 5799		Snap ring
144 5800		Cap
144 5987		Screw
144 5989		Screw
144 5990		Screw
144 9267		Screw
145 0817		Magnetic holder complete
145 0845		Head
145 0849		Ball screw drive
145 0851		Lock activator
145 0855	FB Pro GE	Control
145 7641*		Battery - while stocks last
145 7642		Battery charger EU - while stocks last
145 7644		Light, complete
145 7645		Motor
145 7649		Battery charger USA - while stocks last
145 8123*		Slider complete
148 7385		Housing, complete
149 9356		Spacer
149 9358*		Bevel washer
149 9374*		Lock washer
149 9375*		Snap ring
149 9377*		Washer
149 9398	FB Pro GE	Setting force control
149 9453		Accessories magazine
152 4562		Drive unit, complete
152 4563		Rotating rod, complete
152 4564		Coupling bush assy
152 4565		Bearing, complete
152 4566*		Driver
152 4568		Pinion shaft
152 4675		Control FireBird® Pro
154 7988	FB Pro	Setting force control
156 7794		Cable duct
166 9149		Sticker

* Wearing parts

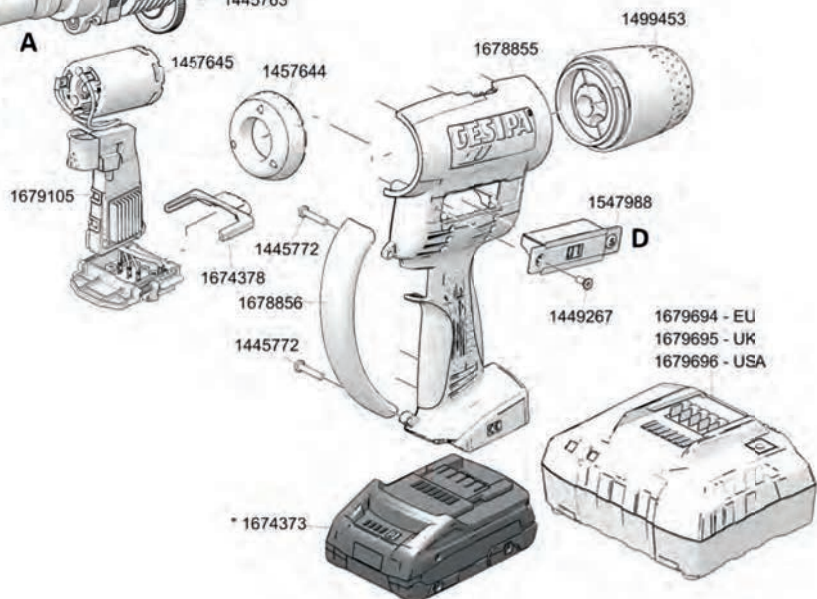
 You will find detailed nosepiece allocation tables from page 250.

BATTERY POWERED BLIND RIVETING NUT TOOLS

FireBird® Pro with new CAS technology - from May 2021




- * M4 - 1436212
- * M5 - 1436213
- * M5 - 1436220
- * M6 - 1436214
- * M6 - 1436221




* Wearing parts


BATTERY POWERED BLIND RIVETING NUT TOOLS

FireBird® Pro with new CAS technology - from May 2021

No.	
143 4962	Pressure disc
143 4970	Sintered metal roller
143 5017	Hanger
143 5115	Coupling complete
143 5385	Pin
143 5397	Bearing cage
143 5408	Hall pcb
143 6193	Locking nut
143 6212*	Threaded mandrel M 4
143 6213*	Threaded mandrel M 5
143 6214*	Threaded mandrel M 6
143 6219*	Nosepiece M 4
143 6220*	Nosepiece M 5
143 6221*	Nosepiece M 6
143 6247*	Spring
144 5768	Screw
144 5772	Screw
144 5776	Plain bearings
144 5789	Washer
144 5790	Snap ring
144 5791	Washer
144 5800	Cap
144 5989	Screw
144 5990	Screw
144 9267	Screw
145 0817	Magnetic holder complete
145 0845	Head
145 0849	Ball screw drive
145 0851	Lock activator
145 7644	Light, complete
145 7645	Motor complete
145 8123*	Slider complete

No.	
149 9356	Spacer
149 9358*	Bevel washer
149 9374*	Lock washer
149 9375*	Snap ring
149 9377*	Washer
149 9453	Accessories magazine
152 4562	Drive unit, complete
152 4563	Rotating rod, complete
152 4565	Bearing, complete
152 4566*	Driver
152 4568	Pinion shaft
154 7988	Setting force control
156 7794	Cable duct
166 9149	Sticker
167 9689*	Battery 2.0 Ah
167 4378	Locking slider
167 8855	Housing
167 8856	Hoop guard
167 9105	E control
167 9694	Charger EU
167 9695	Charger UK
167 9696	Charger USA
168 9018	Cover cap

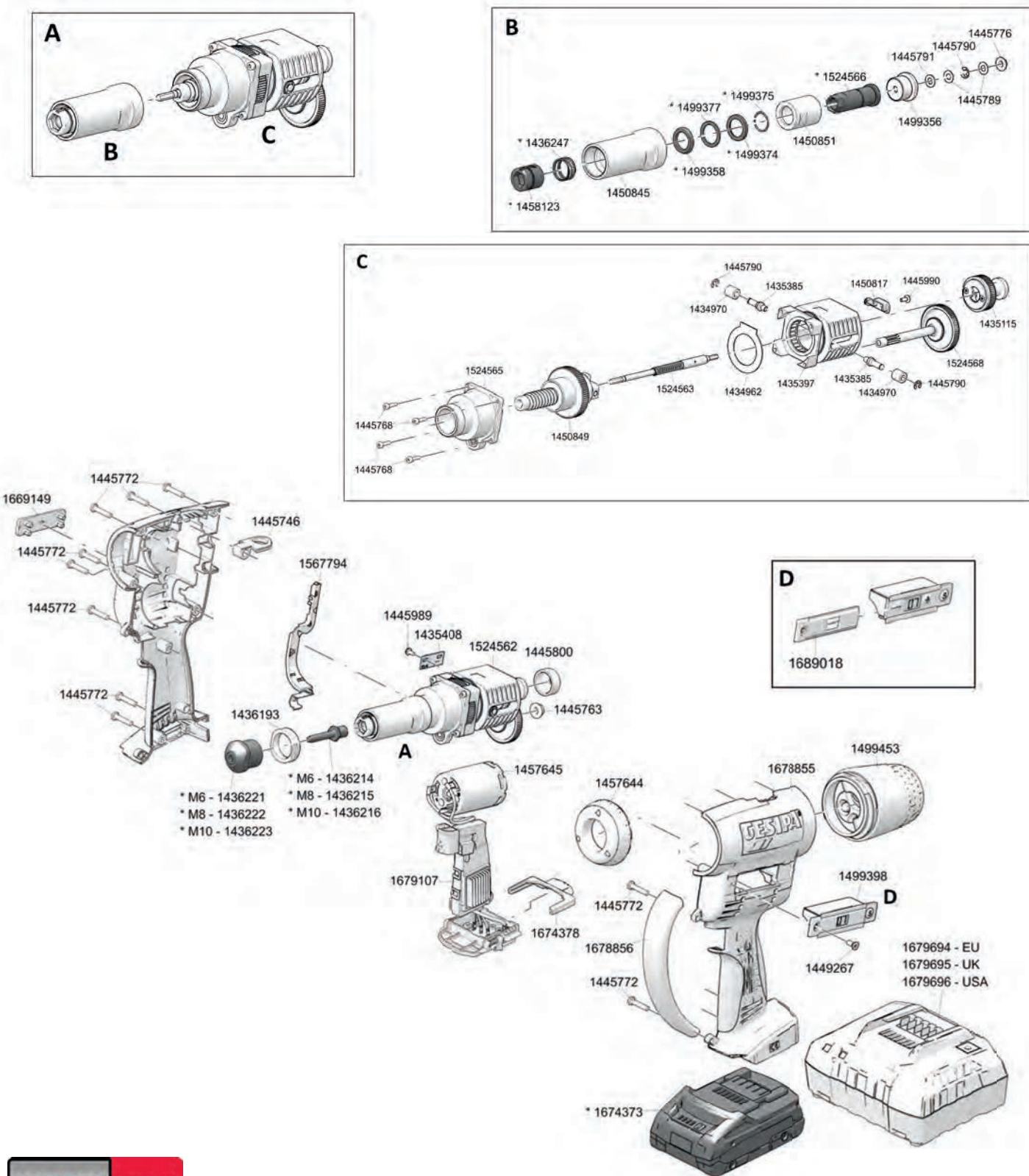
*** Wearing parts**

 You will find detailed nosepiece allocation tables from page 250.



BATTERY POWERED BLIND RIVETING NUT TOOLS


FireBird® Pro Gold Edition with new CAS technology - from May 2021




* Wearing parts


BATTERY POWERED BLIND RIVETING NUT TOOLS

FireBird® Pro Gold Edition with new CAS technology - from May 2021

No.	
143 4962	Pressure disc
143 4970	Sintered metal roller
143 5115	Coupling complete
143 5385	Pin
143 5397	Bearing cage
143 5408	Hall pcb
143 6193	Locking nut
143 6214*	Threaded mandrel M 6
143 6215*	Threaded mandrel M8
143 6216*	Threaded mandrel M10
143 6221*	Nosepiece M 6
143 6222*	Nosepiece M8
143 6223*	Nosepiece M10
143 6247*	Spring
144 5746	Hanger
144 5763	Sintered-metal bushing
144 5768	Screw
144 5772	Screw
144 5776	Plain bearings
144 5789	Pass-Washer
144 5790	Snap ring
144 5791	Washer
144 5800	Cap
144 5989	Screw
144 5990	Screw
144 9267	Screw
145 0817	Magnetic holder complete
145 0845	Head
145 0849	Ball screw drive
145 0851	Lock activator
145 7644	Light, complete
145 7645	Motor complete
145 8123*	Slider complete

No.	
149 9356	Spacer
149 9358*	Bevel washer
149 9374*	Lock washer
149 9375*	Snap ring
149 9377*	Washer
149 9398	Setting force control
149 9453	Accessories magazine
152 4562	Drive unit, complete
152 4563	Rotating rod, complete
152 4565	Bearing, complete
152 4566*	Driver
152 4568	Pinion shaft
156 7794	Cable duct
166 9149	Sticker
167 9689*	Battery 2.0 Ah
167 4378	Locking slider
167 8855	Housing
167 8856	Hoop guard
167 9107	E control
167 9694	Charger EU
167 9695	Charger UK
167 9696	Charger USA
168 9018	Cover cap

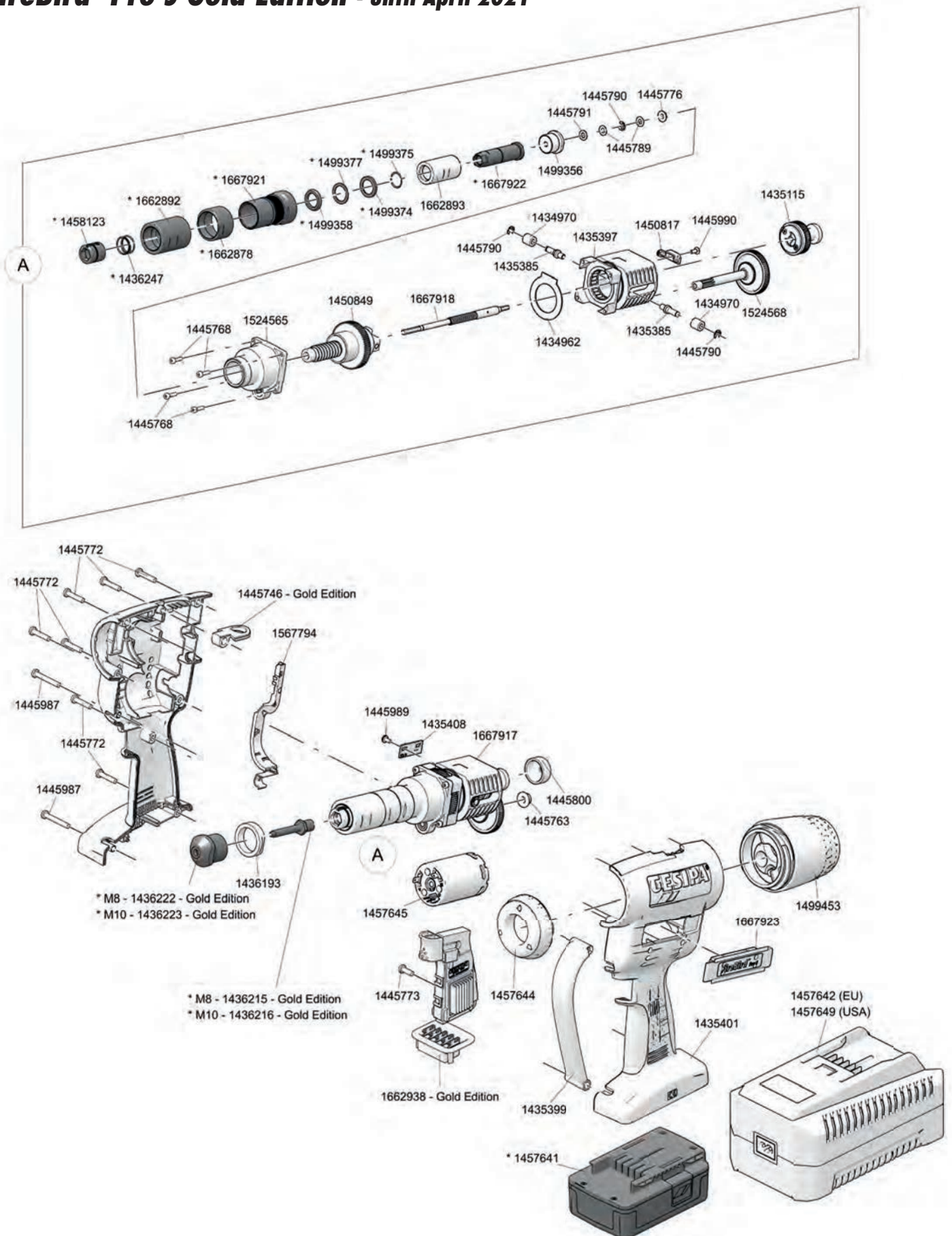
*** Wearing parts**

 You will find detailed nosepiece allocation tables from page 250.



BATTERY POWERED BLIND RIVETING NUT TOOLS

FireBird® Pro S Gold Edition - until April 2021



* Wearing parts

BATTERY POWERED BLIND RIVETING NUT TOOLS

FireBird® Pro S Gold Edition - until April 2021

No.	
143 4962	Pressure disc
143 4970	Sintered metal roller
143 5115	Coupling complete
143 5385	Pin
143 5397	Bearing cage
143 5399	Device hanger
143 5401	Housing complete
143 5408	LED plate
143 6193	Locking ring
143 6215*	Threaded mandrel M8
143 6216*	Threaded mandrel M10
143 6222*	Nosepiece M8
143 6223*	Nosepiece M10
143 6247*	Spring
144 5746	Hanger Gold Edition
144 5763	Sintered-metal bushing
144 5768	Allen screw
144 5772	Screw
144 5773	Screw
144 5776	Plain bearings
144 5789	Washer
144 5790	Snap ring
144 5791	Washer
144 5800	Cap
144 5987	Screw
144 5989	Screw
144 5990	Screw
145 0817	Magnetic holder
145 0849	Ball screw drive
145 7641*	Battery - while stocks last
145 7642	Battery charger EU - while stocks last
145 7644	Light, complete

No.	
145 7645	Motor
145 7649	Battery charger USA while stocks last
145 8123*	Slider complete
149 9356	Spacer
149 9374*	Washer
149 9375*	Snap ring
149 9377*	Washer
149 9453	Accessories magazine
149 9358*	Washer
152 4565	Bearing
152 4568	Pinion shaft
156 7794	Cable duct
166 2878*	Adjusting nut
166 2892*	Adjusting sleeve
166 2893	Lock activator
166 2938	Control Gold Edition
166 7917	Drive unit, complete
166 7918	Rotating rod
166 7921*	Head
166 7922	Driver
166 7923	Cover


* Wearing parts




You will find detailed nosepiece allocation tables from page 250.


BATTERY POWERED BLIND RIVETING NUT TOOLS

FireBird® Pro S Gold Edition with new CAS technology - from May 2021

No.	
143 4962	Pressure disc
143 4970	Sintered metal roller
143 5115	Coupling complete
143 5385	Pin
143 5397	Bearing cage
143 5399	Device hanger
143 5408	LED plate
143 6193	Locking ring
143 6214*	Threaded mandrel M6
143 6215*	Threaded mandrel M8
143 6216*	Threaded mandrel M10
143 6221*	Nosepiece M6
143 6222*	Nosepiece M8
143 6223*	Nosepiece M10
143 6247*	Spring
144 5746	Hanger Gold Edition
144 5763	Sintered-metal bushing
144 5768	Screw
144 5772	Screw
144 5776	Plain bearings
144 5789	Washer
144 5790	Snap ring
144 5791	Washer
144 5800	Cap
144 5989	Screw
144 5990	Screw
145 0817	Magnetic holder
145 0849	Ball screw drive
145 7644	Light, complete

No.	
145 7645	Motor
145 8123*	Slider complete
149 9356	Spacer
149 9374*	Washer
149 9375*	Snap ring
149 9377*	Washer
149 9453	Accessories magazine
152 4565	Bearing
152 4568	Pinion shaft
166 2878*	Adjusting nut
166 2892*	Adjusting sleeve
166 2893	Lock activator
166 7917	Drive unit, complete
166 7918	Rotating rod
166 7921*	Head
166 7922*	Driver
166 7923	Cover
167 9689*	Battery 2.0 Ah
167 4378	Locking slider
167 8855	Housing
167 8856	Device hanger
167 9110	E control

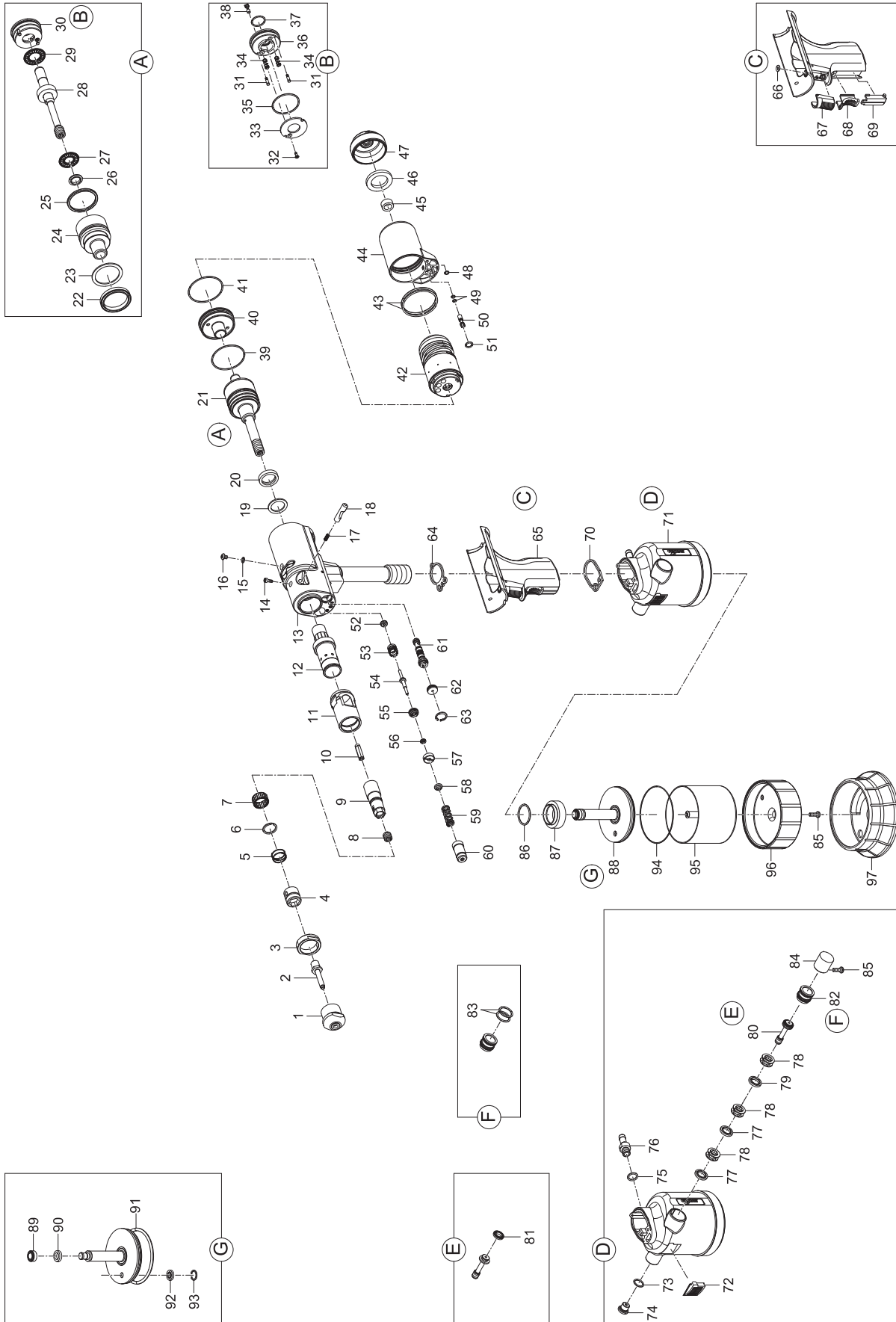
* Wearing parts

 You will find detailed nosepiece allocation tables from page 250.





HYDRO-PNEUMATIC BLIND RIVETING NUT TOOLS



Firefox® 1



HYDRO-PNEUMATIC BLIND RIVETING NUT TOOLS

FireFox® 1

	No.	
1 •	1436218	Nosepiece M 3
	1436219	Nosepiece M 4
	1436220	Nosepiece M 5
	1436221	Nosepiece M 6
2 •	1436211	Threaded mandrel M 3
	1436212	Threaded mandrel M 4
	1436213	Threaded mandrel M 5
	1436214	Threaded mandrel M 6
3	1436193	Locking ring
4	1458123	Slider
5	1436247	Compression spring
6	1446189	Snap ring
7	1446190	Needle ring
8	1446187	Stud bolt
9	1436179	Driver
10	1436201	Hexagonal rod
11	1436192	Steel head sleeve
12	1451094	Stroke adjuster
13	1659541	Tool head assembled
14	1445427	Screw
15	1435612	Sealing ring
16	1446013	Oil screw plug
17	1436244	Spring
18	1436180	Locating bolt
19 •	1436230	Supporting ring
20 •	1436234	Rod seal
21	1605693	Draw bar, complete
22 •	1436227	Piston seal
23 •	1436229	Supporting ring
24	1436204	Draw bar
25 •	1436231	Seal
26	1435236	Seal kit
27	1446191	Axial needle bearing
28	1605692	Tie anchor complete
29	1445794	Axial needle bearing
30	1458125	Closure complete
31	1436183	Plug bolt
32	1446188	Screw
33	1436205	Washer
34	1436293	Spring
35	1436238	O-ring
36	1436197	Closure
37	1436239	O-ring
38	1458124	Valve key complete
39	1436236	O-ring
40	1436198	End cap
41	1436237	O-ring
42	1436168	Air motor complete
43	1436243	O-ring
44	1436170	Adapter
45	1436173	Absorber disc

	No.	
46	1436174	Absorber disc
47	1436175	Noise suppressor cover
48	1436242	O-ring
49	1436291	O-ring
50	1436292	Valve key
51	1435519	O-ring
52	1436233	Rod seal
53	1605656	Bit
54	1605658	Plunger
55	1605657	Sealing washer complete
56	1605600	Groove ring
57	1605592	Threaded ring
58	1436178	Bevel washer
59	1436374	Spring
60	1451112	Spring compressor
61	1436297	Distributing valve, complete
62	1451053	Stopper, complete
63	1445285	Snap ring
64 •	1435472	Flat gasket 1
65	1605659	Grip, complete
66	1436241	O-ring
67	1446025	Activation button
68	1435642	Slider
69	1436169	Orifice
70 •	1435480	Flat gasket 2
71	1605660	Air cylinder, complete
72	1515051	Silencer complete
73	1435484	O-ring
74	1457750	Safety valve, complete
75	1446030	Sealing ring
76	1435667	Connecting nipple
77	1435647	Rod seal
78	1435648	Spacer cage
79	1436248	Washer
80	1605671	Control piston
81 •	1435675	Piston seal
82	1457693	Piston housing
83	1435688	O-ring
84	1446026	Stopper
85	1445773	Screw
86	1435486	O-ring
87	1435492	Al nut
88	1451107	Air piston complete
89 •	1436007	Piston seal
90 •	1436006	Guide ring 4
91 •	1435660	O-ring
92	1435659	Rod seal
93	1446027	Snap ring
94	1435680	O-ring
95	1451111	Cylinder 1, complete
96	1435508	Bottom
97	1436394	Rubber foot

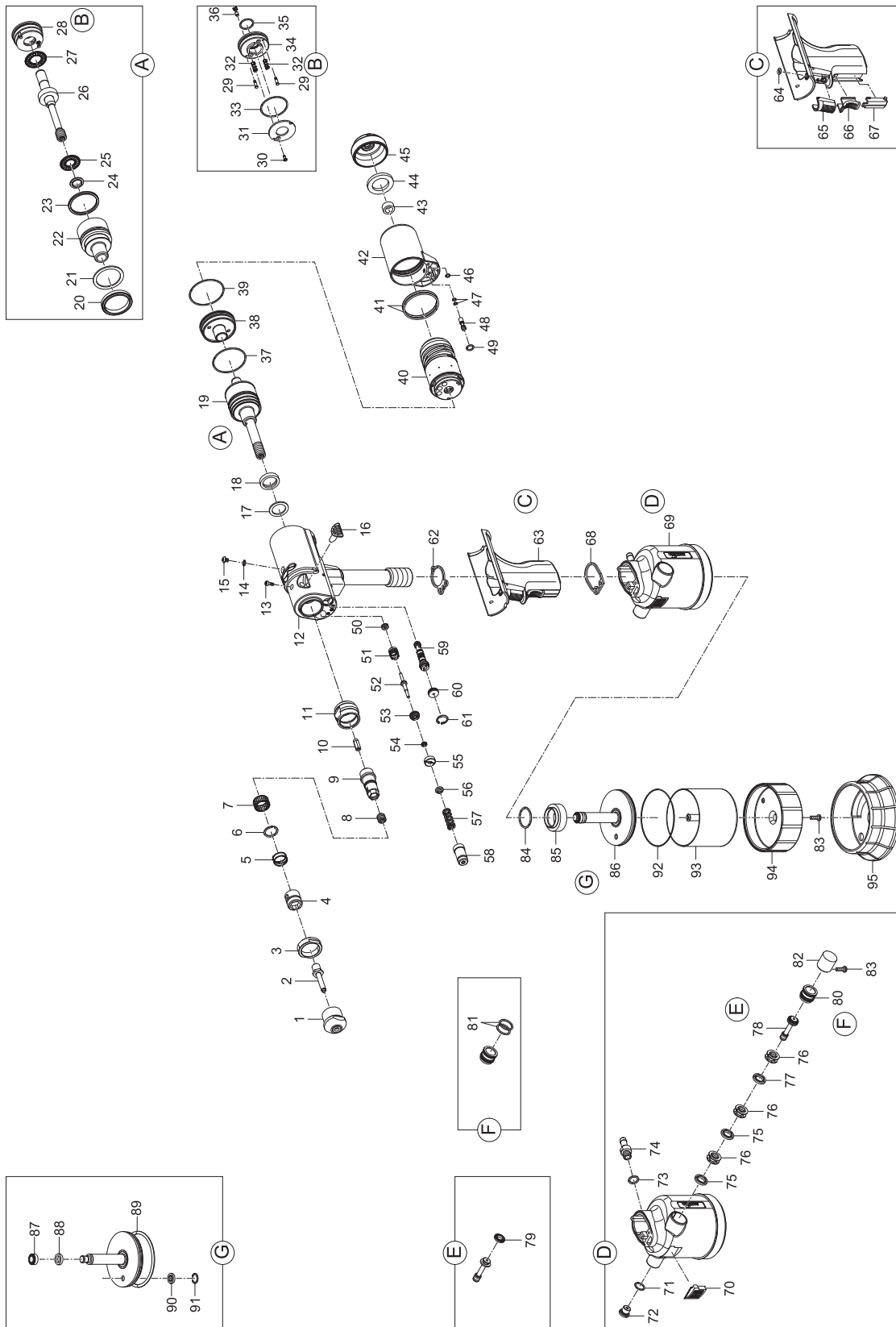
• Wearing parts



You will find detailed nosepiece allocation tables from page 250.
You will find spare part kits from page 371.



HYDRO-PNEUMATIC BLIND RIVETING NUT TOOLS



Firefox® 1 F



HYDRO-PNEUMATIC BLIND RIVETING NUT TOOLS

FireFox® 1 F

	No.	
1 •	143 6218	Nosepiece M 3
	143 6219	Nosepiece M 4
	143 6220	Nosepiece M 5
	143 6221	Nosepiece M 6
2 •	143 6211	Threaded mandrel M 3
	143 6212	Threaded mandrel M 4
	143 6213	Threaded mandrel M 5
	143 6214	Threaded mandrel M 6
3	143 6193	Locking ring
4	145 8123	Slider
5	143 6247	Compression spring
6	144 6189	Snap ring
7	144 6190	Needle ring
8	144 6187	Stud bolt
9	143 6181	Driving pin
10	143 6390	Hexagonal rod
11	143 6393	Steel head sleeve 1
12	160 5655	Tool head 1 assembled
13	144 5427	Allen screw
14	143 5612	Sealing ring M4
15	144 6013	Oil screw plug
16	143 6204	Draw bar
17 •	143 6230	Supporting ring
18 •	143 6234	Rod seal
19	145 8201	Draw bar 1, complete
20 •	143 6227	Piston seal
21 •	143 6229	Supporting ring
22	143 6204	Draw bar
23	143 6231	Seal
24 •	143 5236	Seal kit
25	144 6191	Axial needle bearing
26	145 1110	Tie anchor 1, complete
27	144 5794	Axial needle bearing
28	145 8125	Closure complete
29	143 6183	Plug bolt
30	144 6188	Screw
31	143 6205	Washer
32	143 6293	Spring
33	143 6238	Closure
34	143 6197	Closure
35	143 6239	O-ring
36	145 8124	Valve key 4 complete
37	143 6236	O-ring

	No.	
38	143 6198	End cap
39	143 6237	O-ring
40	143 6168	Air motor complete
41	143 6243	O-ring
42	143 6170	Adapter
43	143 6173	Absorber disc 1
44	143 6174	Absorber disc 2
45	143 6175	Noise suppressor cover
46	143 6242	O-ring
47	143 6291	O-ring
48	143 6292	Valve key 5
49	143 5519	O-ring
50	143 6233	Rod seal
51	160 5656	Bit
52	160 5658	Plunger
53	160 5657	Sealing washer complete
54	160 5600	Groove ring
55	160 5592	Threaded ring
56	143 6178	Bevel washer
57	143 6374	Spring
58	145 1112	Spring compressor
59	143 6297	Distributing valve, complete
60	145 1053	Stopper, complete
61	144 5285	Snap ring
62 •	143 5472	Flat gasket 1
63	160 5659	Grip, complete
64	143 6241	O-ring
65	144 6025	Activation button
66	143 5642	Slider
67	143 6169	Orifice
68 •	143 5480	Flat gasket 2
69	160 5660	Air cylinder, complete
70	151 5051	Silencer complete
71	143 5484	O-ring
72	145 7750	Safety valve, complete
73	144 6030	Sealing ring
74	143 5667	Connecting nipple
75	143 5647	Rod seal
76	143 5648	Spacer cage
77	143 6248	Washer
78	160 5671	Control piston
79	143 5675	Piston seal
80	145 7693	Piston housing
81	143 5688	O-ring
82	144 6026	Stopper
83	144 5773	Screw
84	143 5486	O-ring
85	143 5492	Al nut
86	145 1107	Air piston complete
87 •	143 6007	Piston seal
88 •	143 6006	Guide ring 4
89 •	143 5660	O-ring
90	143 5659	Rod seal
91	144 6027	Snap ring
92	143 5680	O-ring
93	145 1111	Cylinder 1, complete
94	143 5508	Bottom 1
95	143 6394	Rubber foot 1
	144 5294	Hydraulic oil refill bottle, 100 ml

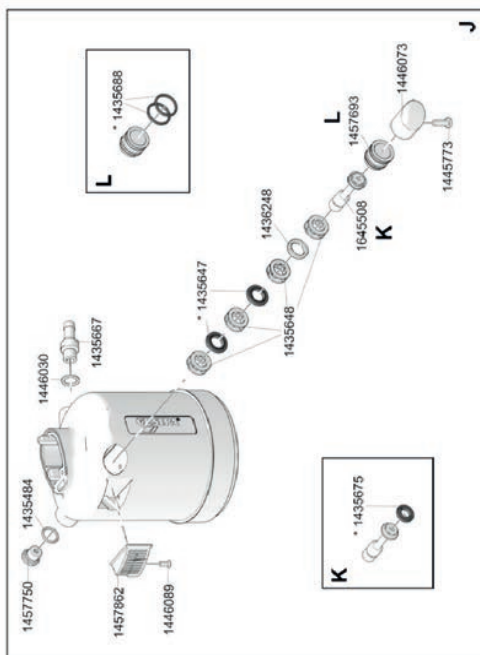
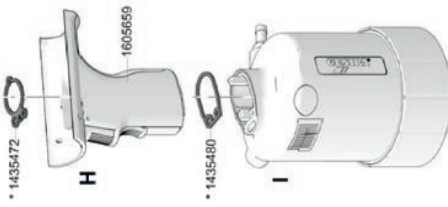
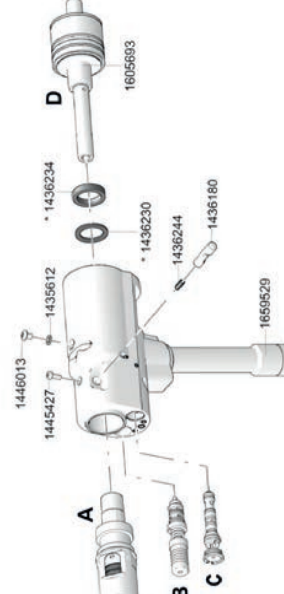
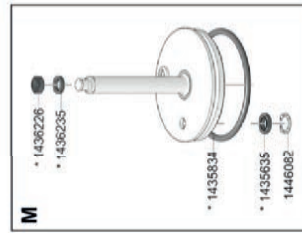
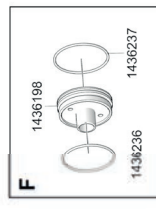
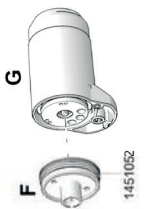
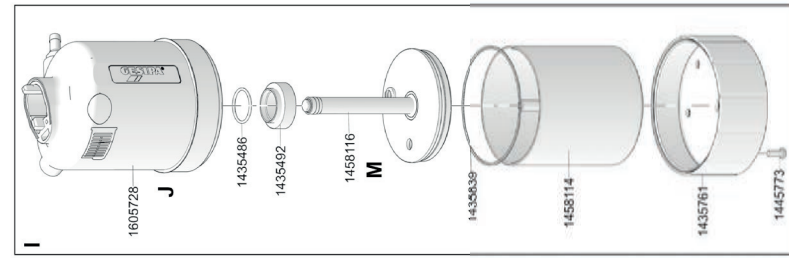
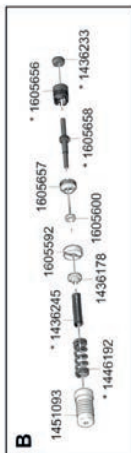
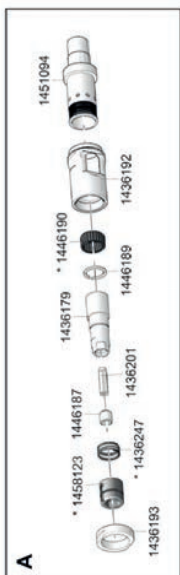
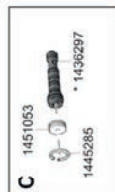
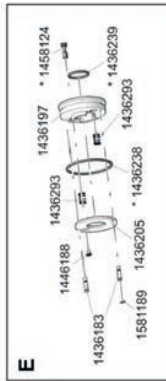
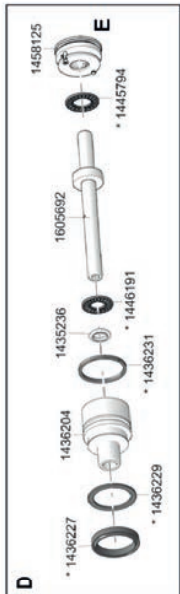
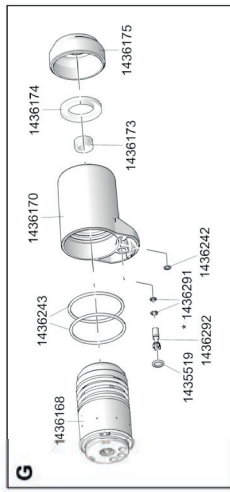
• Wearing parts



You will find detailed nosepiece allocation tables from page 250.
You will find spare part kits from page 371.

HYDRO-PNEUMATIC BLIND RIVETING NUT TOOLS


FireFox® 2



HYDRO-PNEUMATIC BLIND RIVETING NUT TOOLS

FireFox® 2

No.	
1435236	Seal kit
1435472*	Flat gasket
1435480*	Flat gasket
1435484	O ring
1435486	O ring
1435492	Alu nut
1435519	O ring
1435612	Sealing ring
1435635*	Rod seal
1435642	Slider
1435647*	Rod seal
1435648	Spacer cage
1435667	Connecting nipple
1435675*	Piston seal
1435688*	O ring
1435761	Bottom
1435834*	O ring
1435839	O ring
1436168	Air motor complete
1436169	Orifice
1436170	Adapter
1436173	Insulating washer 1
1436174	Insulating washer 2
1436175	Noise suppressor cover
1436178	Bevel washer
1436179	Driver
1436180	Location bolt
1436183	Stud bolt
1436192	Steel head sleeve
1436193	Locking ring
1436197	Closure
1436198	End cap
1436201	Hexagonal rod
1436204	Draw bar
1436205	Stop disc
1436212*	Threaded mandrel M 4 FF
1436213*	Threaded mandrel M 5 FF
1436214*	Threaded mandrel M 6 FF
1436215*	Threaded mandrel M8
1436219*	Nosepiece M 4 FF
1436220*	Nosepiece M 5 FF
1436221*	Nosepiece M 6 FF
1436222*	Nosepiece M8 (5/16"-18 UNC)
1436226*	Piston seal
1436227*	Piston seal
1436229*	Supporting ring
1436230*	Supporting ring
1436231*	Piston seal
1436233*	Rod seal
1436234*	Rod seal
1436235*	Guide ring

No.	
1436236	O ring
1436237	O ring
1436238*	O ring
1436239*	O ring
1436241	O ring
1436242	O ring
1436243	O ring
1436244	Compression spring
1436245*	Compression spring
1436247*	Compression spring
1436248	Washer
1436291*	O ring
1436292	Valve key
1436293	Compression spring
1436297*	Distributing valve complete
1445285	Snap ring
1445427	Allen screw
1445773	Housing screw
1445794*	Axial needle bearing
1446013	Oil screw
1446025	Activation button
1446030	Sealing ring
1446073	Stopper
1446082	Snap ring
1446089	Screw
1446187	Stud bolt
1446188	Screw
1446189	Snap ring
1446190*	Needle ring
1446191*	Needle ring
1446192*	Spring
1451052	End cap complete
1451053	Stopper complete
1451093	Springcompressor complete
1451094	Stroke adjuster complete
1457693	Piston housing complete
1457750	Pressure relief valve complete
1457862	Silencer complete
1458114	Cylinder complete
1458116	Air piston complete
1458123*	Slider kompl.
1458124*	Valve key complete
1458125	Closure complete
1581189	Crescent ring
1605592	Threaded ring
1605600	Groove ring
1605656*	Bit complete
1605657	Sealing washer
1605658*	Plunger complete
1605659	Grip complete
1605692	Tie anchor complete
1605693	Draw bar complete
1605728	Air cylinder complete
1645508	Control piston complete
1659529	Tool head complete

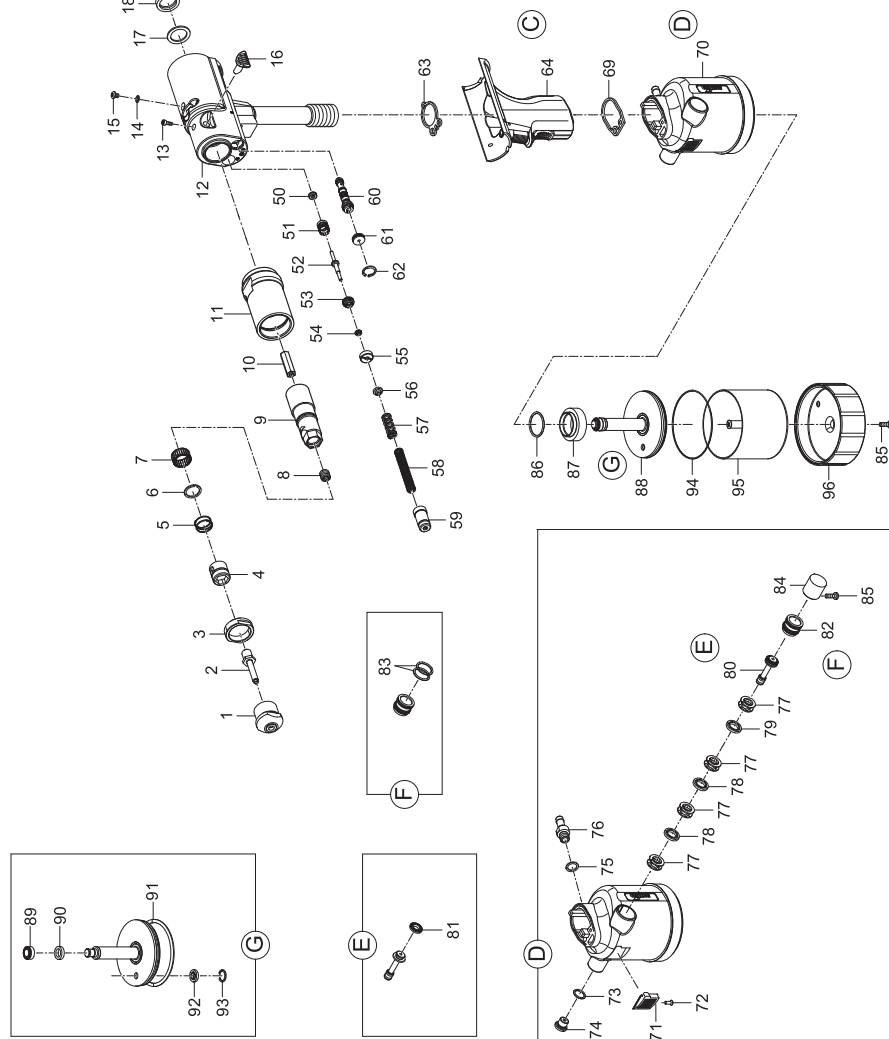
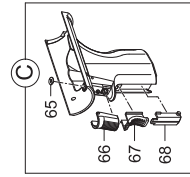
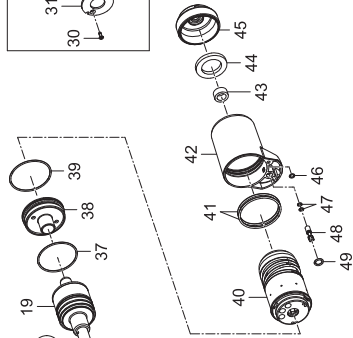
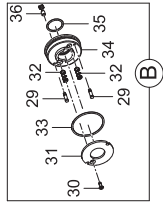
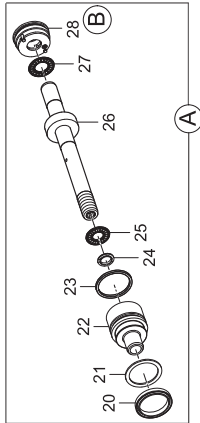
* Wearing parts



You will find detailed nosepiece allocation tables from page 250.
You will find spare part kits from page 371.



HYDRO-PNEUMATIC BLIND RIVETING NUT TOOLS



FireFox® 2 F



HYDRO-PNEUMATIC BLIND RIVETING NUT TOOLS

FireFox® 2 F

	No.	
1 •	143 6219	Nosepiece M 4
	143 6220	Nosepiece M 5
	143 6221	Nosepiece M 6
	143 6222	Nosepiece M 8
2	143 6212	Threaded mandrel M 4
	143 6213	Threaded mandrel M 5
	143 6214	Threaded mandrel M 6
3	143 6215	Threaded mandrel M 8
	143 6193	Locking ring
	145 8123	Slider complete
4	143 6247	Compression spring
5	144 6189	Snap ring
6	144 6190	Needle ring
7 •	144 6187	Stud bolt
8	143 6179	Driving pin
9	143 6201	Hexagonal rod
10	143 6384	Steel head sleeve
11	160 9547	Tool head assembled
12	144 5427	Allen screw
13	143 5612	Sealing ring M4
14	144 6013	Oil screw plug
15	144 6204	Cap
16	143 6230	Supporting ring
17 •	143 6234	Rod seal
18 •	145 8126	Draw bar complete
19	143 6227	Piston seal
20 •	143 6229	Supporting ring
21 •	143 6204	Draw bar
22	143 6231	Seal
23 •	143 5236	Seal kit
24	144 6191	Axial needle bearing
25 •	143 6296	Tie anchor complete
26	144 5794	Axial needle bearing
27 •	145 8125	Closure cover, complete
28	143 6183	Stud bolt
29	144 6188	Screw
30	143 6205	Stop disc
31	143 6293	Spring
32	143 6238	O-ring
33 •	143 6197	Closure
34	143 6239	O-ring
35 •	145 8124	Valve key 4, complete
36 •	143 6236	O-ring
37	143 6198	End closure
38	143 6237	O-ring
39	143 6168	Air motor complete
40	143 6243	O-ring
41		

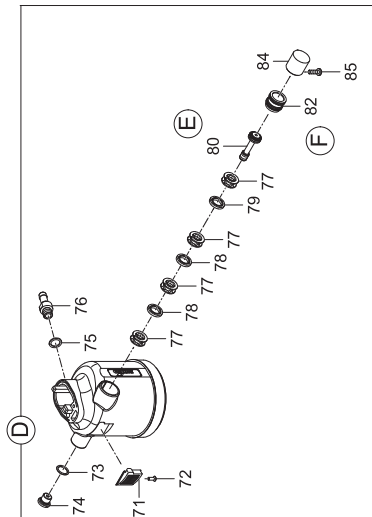
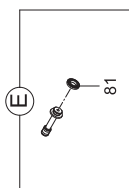
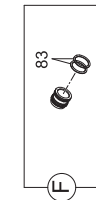
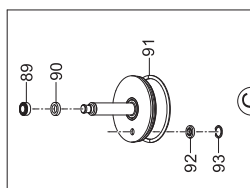
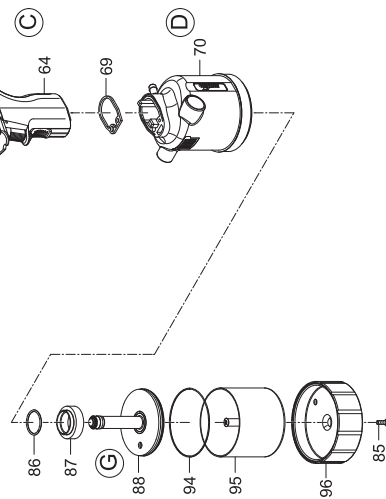
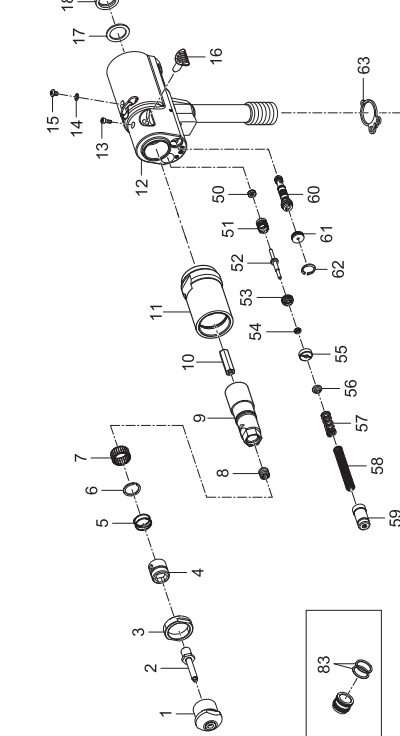
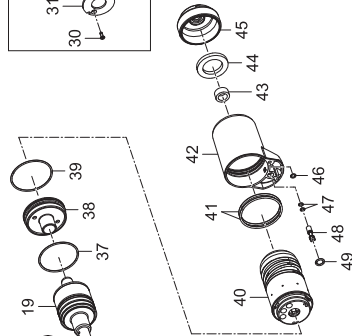
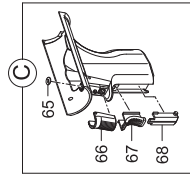
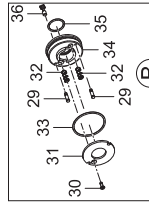
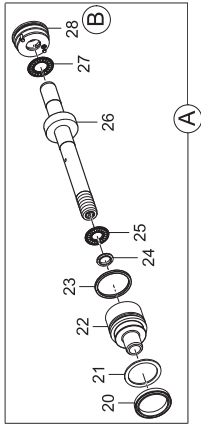
	No.	
42	143 6170	Adapter
43	143 6173	Absorber disc 1
44	143 6174	Absorber disc 2
45	143 6175	Noise suppressor cover
46	143 6242	O-ring
47 •	143 6291	O-ring
48	143 6292	Valve key 5
49	143 5519	O-ring
50 •	143 6233	Rod seal
51 •	160 5656	Bit
52 •	160 5658	Plunger
53	160 5657	Sealing washer
54	160 5600	Groove ring
55	160 5592	Threaded ring
56	143 6178	Bevel washer
57 •	144 6192	Compression spring
58 •	143 6245	Compression spring
59	145 1093	Spring compressor complete
60 •	143 6297	Distributing valve complete
61	145 1053	Stopper complete
62	144 5285	Snap ring
63 •	143 5472	Flat gasket 1
64	160 5659	Grip, complete
65	143 6241	O-ring
66	144 6025	Activation button
67	143 5642	Slider
68	143 6169	Orifice
69 •	143 5480	Flat gasket 2
70	160 5706	Air cylinder 2, complete
71	145 7862	Silencer complete
72	144 6089	Screw
73	143 5484	O-ring
74	145 7750	Pressure relief valve, complete
75	144 6030	Sealing ring
76	143 5667	Hose fitting
77	143 5648	Spacer cage
78	143 5647	Airzet rod seal
79	143 6248	Washer
80	164 5508	Rod seal
81 •	143 5675	Piston seal
82	145 7693	Piston housing
83 •	143 5688	O-ring
84	144 6075	Stopper
85	144 5773	Housing screw short
86	143 5486	O-ring
87	143 5492	Alu nut
88	145 8116	Air piston 2, complete
89 •	143 6226	Piston seal
90 •	143 6235	Guide ring
91 •	143 5834	O-ring
92	143 5635	Airzet rod seal
93	144 6082	V-profile ring JV15
94	143 5839	O-ring
95	145 8114	Cylinder 2, complete
96	143 5761	Bottom
• Wearing parts	144 5294	Hydraulic oil refill bottle, 100 ml



You will find detailed nosepiece allocation tables from page 250.
You will find spare part kits from page 371.



HYDRO-PNEUMATIC BLIND RIVETING NUT TOOLS



FireFox® 2 F L



HYDRO-PNEUMATIC BLIND RIVETING NUT TOOLS

FireFox® 2 F L

	No.	
1 •	143 6218	Nosepiece M3
	143 6219	Nosepiece M 4
	143 6220	Nosepiece M 5
	143 6221	Nosepiece M 6
	143 6222	Nosepiece M 8
	143 6223	Nosepiece M 10
	143 6224	Nosepiece M 12
2 •	143 6363	Threaded mandrel M 3
	143 6364	Threaded mandrel M 4
	143 6365	Threaded mandrel M 5
	143 6366	Threaded mandrel M 6
	143 6367	Threaded mandrel M 8
	143 6368	Threaded mandrel M 10
	143 6369	Threaded mandrel M 12
3	143 6193	Locking ring
4	145 8123	Slider
5	143 6247	Compression spring
6	144 6189	Snap ring
7 •	144 6190	Needle ring
8	144 6187	Stud bolt
9	143 6179	Driver
10	143 6201	Hexagonal rod
11	143 6384	Steel head sleeve
12	160 9547	Tool head, assembled
13	144 5427	Allen screw
14	143 5612	Sealing ring M4
15	144 6013	Oil screw plug
16	144 6204	Cap
17 •	143 6230	Supporting ring
18 •	143 6234	Rod seal
19	145 8126	Draw bar, complete
20 •	143 6227	Piston seal
21 •	143 6229	Supporting ring
22	143 6204	Draw bar
23 •	143 6231	Seal
24	143 5236	Seal kit
25 •	144 6191	Axial needle bearing
26	143 6296	Tie anchor complete
27 •	144 5794	Axial needle bearing
28	145 8125	Closure cover, complete
29	143 6183	Stud bolt
30	144 6188	Screw
31	143 6205	Stop disc
32	143 6293	Spring
33 •	143 6238	O-ring
34	143 6197	Closure cover, complete
35 •	143 6239	O-ring
36 •	145 8124	Valve key 4, complete
37	143 6236	O-ring
38	143 6198	End cap
39	143 6237	O-ring
40	143 6370	Air motor complete
41	143 6243	O-ring

	No.	
42	143 6170	Adapter
43	143 6173	Absorber disc 1
44	143 6174	Absorber disc 2
45	143 6175	Noise suppressor cover
46	143 6242	O-ring
47 •	143 6291	O-ring
48	143 6292	Valve key 5
49	143 5519	O-ring
50 •	143 6233	Rod seal
51 •	160 5656	Bit
52 •	160 5658	Plunger
53	160 5657	Sealing washer
54	160 5600	Groove ring
55	160 5592	Threaded ring
56	143 6178	Bevel washer
57 •	144 6192	Compression spring
58 •	143 6245	Compression spring
59	145 1093	Clamps
60 •	143 6297	Distributing valve complete
61	145 1053	Stopper
62	144 5285	Snap ring
63 •	143 5472	Flat gasket 1
64	160 5659	Grip, complete
65	143 6241	O-ring
66	144 6025	Activation button
67	143 5642	Slider
68	143 6169	Orifice
69 •	143 5480	Flat gasket 2
70	165 0705	Air cylinder, complete
71	145 7862	Silencer complete
72	144 6089	Screw
73	143 5484	O-ring
74	145 7750	Pressure relief valve
75	144 6030	Sealing ring
76	143 5667	Connecting nipple
77	143 5648	Spacer cage
78	143 5647	Airzet Rod seal
79	143 6248	Washer
80	164 5508	Control piston
81 •	143 5675	Piston seal
82	145 7693	Piston housing
83 •	143 5688	O-ring
84	144 6075	Stopper
85	144 5773	Housing screw short
86	143 5486	O-ring
87	143 5492	Alu nut
88	145 8116	Air piston complete
89 •	143 6226	Piston seal
90 •	143 6235	Guide ring
91 •	143 5834	O-ring
92	143 5635	Airzet Rod seal
93	144 6082	V-ring JV15
94	143 5839	O-ring
95	145 8114	Cylinder complete
96	143 5805	Bottom
	144 5294	Hydraulic oil refill bottle, 100 ml

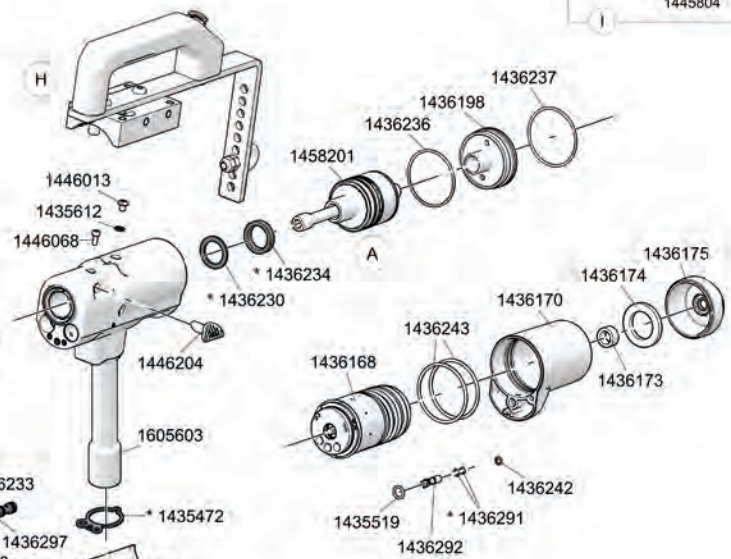
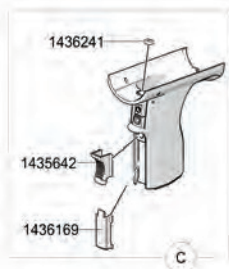
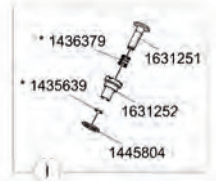
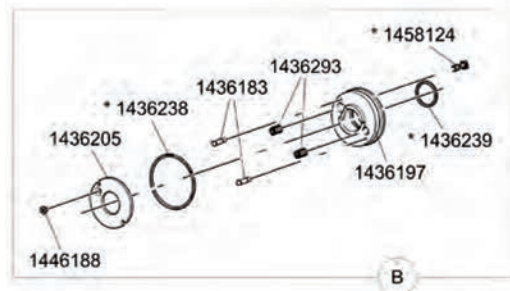
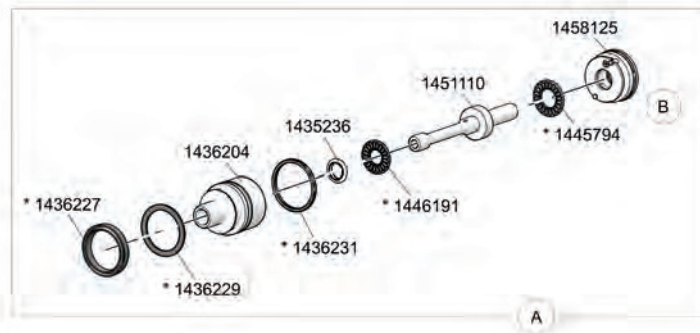
• Verschleißteile



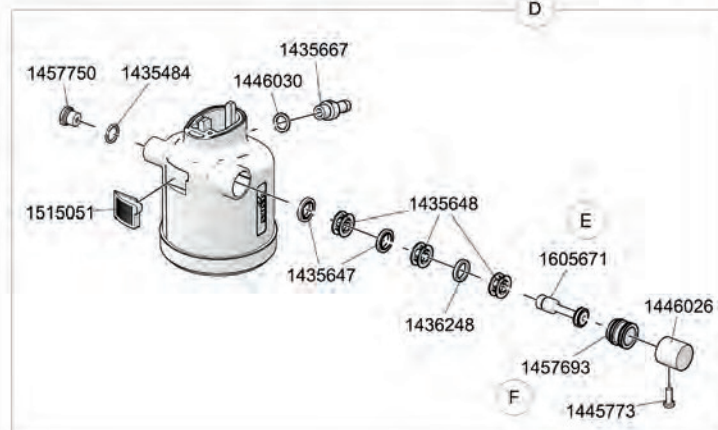
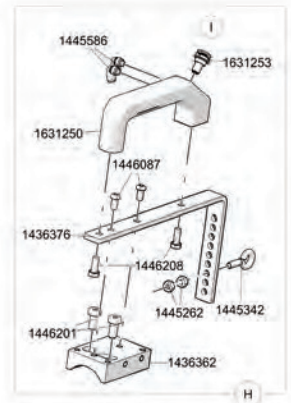
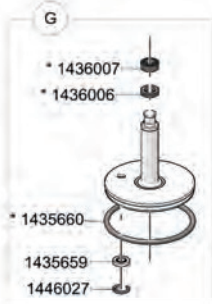
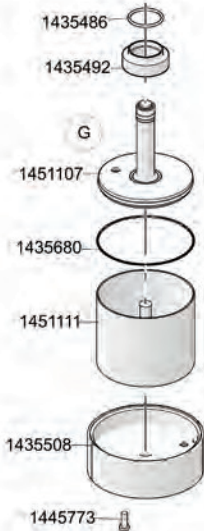
You will find detailed nosepiece allocation tables from page 250.
You will find spare part kits from page 371.

HYDRO-PNEUMATIC BLIND RIVETING NUT TOOLS

FireFox® 1 F Axial eco



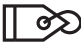
- * M3 - 1436211
- * M4 - 1436212
- * M5 - 1436213
- * M6 - 1436214
- * M3 - 1436218
- * M4 - 1436219
- * M5 - 1436220
- * M6 - 1436221




* Wearing parts

HYDRO-PNEUMATIC BLIND RIVETING NUT TOOLS

FireFox® 1 F Axial eco

No.	
143 5236	Sealing washer
143 5472*	Flat gasket
143 5480*	Flat gasket
143 5484	O-ring
143 5486	O-ring
143 5492	Alu nut
143 5508	Bottom
143 5519	O-ring
143 5612	Sealing ring
143 5639*	O-ring
143 5642	Slider
143 5647	Airzet Rod seal
143 5648	Spacer cage
143 5659	Airzet Rod seal
143 5660*	O-ring
143 5667	Connecting nipple
143 5675*	Piston seal
143 5680	O-ring
143 5688*	O-ring
143 6006 *	Guide ring
143 6007*	Piston seal
143 6168	Air motor complete
143 6169	Orifice
143 6170	Adapter
143 6173	Absorber disc
143 6174	Absorber disc
143 6175	Noise suppressor cover
143 6178	Bevel washer
143 6183	Stud bolt
143 6193	Locking ring
143 6197	Closure cover, complete
143 6198	End cap
143 6204	Draw bar
143 6205	Stop disc
143 6211*	Threaded mandrel M 3
143 6212*	Threaded mandrel M 4
143 6213*	Threaded mandrel M 5
143 6214*	Threaded mandrel M 6
143 6218*	Nosepiece M 3
143 6219*	Nosepiece M 4
143 6220*	Nosepiece M 5
143 6221*	Nosepiece M 6
143 6227*	Piston seal
143 6229*	Supporting ring
143 6230*	Supporting ring
143 6231*	Ring seal
143 6233*	Rod seal
143 6234*	Rod seal
143 6236	O-ring
143 6237	O-ring
143 6238*	O-ring
143 6239*	O-ring
143 6241	O-ring
143 6242	O-ring
143 6243	O-ring
143 6247*	Compression spring
143 6248	Washer
143 6291*	O-ring

No.	
143 6292	Valve key
143 6293	Compression spring
143 6297*	Distributing valve
143 6362	Holder
143 6374*	Compression spring
143 6376	Hanger
143 6379*	Spring
143 6390	Hexagonal rod
143 6392	Driver
143 6393	Steel head sleeve
144 5262	Nut
144 5285	Snap ring
144 5342	Screw
144 5586	Screw connection
144 5773	PT screw
144 5794*	Axial needle bearing
144 5804	U washer
144 6013	Oil screw plug
144 6026	Stopper
144 6027	Snap ring
144 6030	Sealing ring
144 6068	Allen screw
144 6087	Fillister head screw
144 6187	Stud bolt
144 6188	Countersunk screw
144 6189	Snap ring
144 6190*	Needle ring
144 6191*	Axial needle bearing
144 6201	Allen screw
144 6204	Venting cap
144 6208	Hexagon head screw
145 1053	Stopper
145 1107	Air piston
145 1110	Tie anchor complete
145 1111	Cylinder
145 1112	Spring compressor complete
145 7693	Piston housing
145 7750	Pressure relief valve
145 8123	Slider
145 8124*	Valve key
145 8125	Closure cover
145 8201	Draw bar
151 5051	Silencer
160 5592	Threaded ring
160 5600	Groove ring
160 5603	Tool head
160 5604	Air cylinder
160 5656	Bit
160 5656*	Bit
160 5657*	Sealing washer
160 5658	Plunger
160 5671	Control piston
163 1250	Grip
163 1251	Valve
163 1252	Valve seat
163 1253	Valve

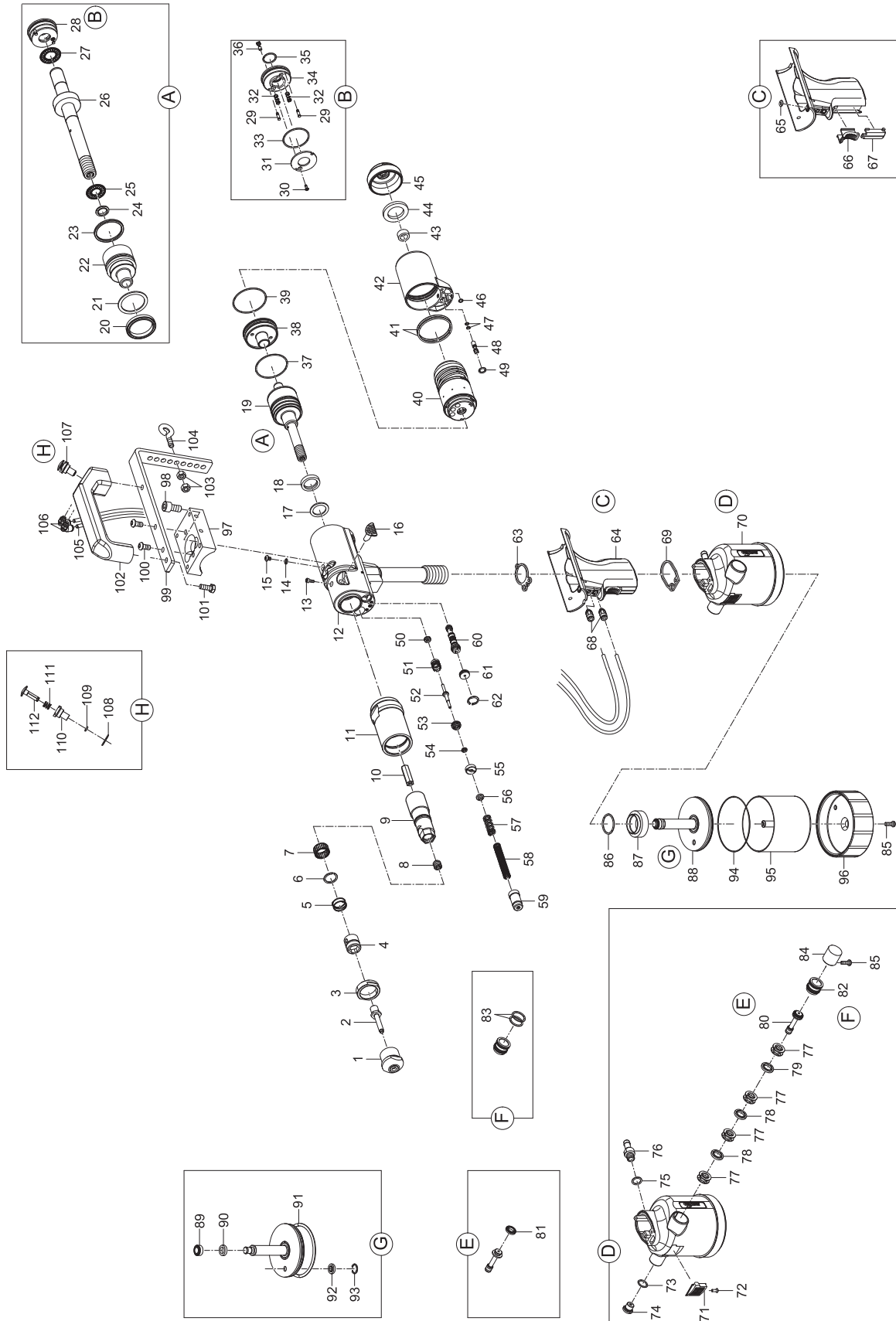
* Wearing parts



You will find detailed nosepiece allocation tables from page 250.
You will find spare part kits from page 371.

HYDRO-PNEUMATIC BLIND RIVETING NUT TOOLS



FireFox® 2 F Axial eco



HYDRO-PNEUMATIC BLIND RIVETING NUT TOOLS

FireFox® 2 F Axial eco

	No.	
1 •	143 6221	Nosepiece M 6
	143 6222	Nosepiece M 8
	143 6223	Nosepiece M 10
	143 6224	Nosepiece M 12
2 •	143 6214	Threaded mandrel M 6
	143 6215	Threaded mandrel M 8
	143 6216	Threaded mandrel M 10
	143 6217	Threaded mandrel M 12
3	143 6193	Locking ring
4	145 8123	Slider complete
5	143 6247	Compression spring
6	144 6189	Snap ring
7 •	144 6190	Needle ring
8	144 6187	Stud bolt
9	143 6179	Driving pin
10	143 6201	Hexagonal rod
11	143 6384	Steel head sleeve
12	160 9547	Tool head complete
13	144 5427	Allen screw
14	143 5612	Sealing ring
15	144 6013	Screw
16	144 6204	Cap piece
17 •	143 6230	Supporting ring
18 •	143 6234	Rod seal
19	145 8126	Draw bar complete
20 •	143 6227	Piston seal
21 •	143 6229	Supporting ring
22	143 6204	Draw bar
23 •	143 6231	Seal
24	143 5236	Seal kit
25 •	144 6191	Axial needle bearing
26	143 6296	Tie anchor
27 •	144 5794	Axial needle bearing
28	145 8125	Closure
29	143 6183	Stud bolt
30	144 6188	Screw
31	143 6205	Stop disc
32	143 6293	Spring
33 •	143 6238	O-ring
34	143 6197	Closure
35 •	143 6239	O-ring
36 •	145 8124	Valve key
37	143 6236	O-ring
38	143 6198	End cap
39	143 6237	O-ring
40	143 6168	Air motor
41	143 6243	O-ring
42	143 6170	Adapter
43	143 6173	Absorber disc 1
44	143 6174	Absorber disc 2
45	143 6175	Closure
46	143 6242	O-ring
47 •	143 6291	O-ring
48	143 6292	Valve key
49	143 5519	O-ring
50 •	143 6233	Rod seal
51 •	160 5656	Bit

	No.	
52 •	160 5658	Plunger
53	160 5657	Washer
54	160 5600	Groove ring
55	160 5592	Threaded ring
56	143 6178	Washer
57 •	144 6192	Compression spring
58 •	143 6245	Compression spring
59	145 1093	Spring compressor complete
60 •	143 6297	Distributing valve
61	145 1053	Stopper
62	144 5285	Snap ring
63 •	143 5472	Flat gasket
64	160 5602	Grip complete
65	143 6241	O-ring
66	144 5718	Screw connection
67	143 5642	Slider
68	143 6169	Orifice
69 •	143 5480	Flat gasket
70	160 5706	Air cylinder
71	143 5484	O-ring
72	145 7750	Pressure relief valve
73	145 5484	O-ring
74	145 7750	Pressure relief valve
75	144 6030	Sealing ring
76	143 5667	Connecting nipple
77	143 5648	Spacer cage
78	143 5647	Rod seal
79	143 6248	Washer
80	164 5508	Control piston
81 •	143 5675	Piston seal
82	145 7693	Piston housing
83 •	143 5688	O-ring
84	144 6075	Stopper
85	144 5773	Housing screw, short
86	143 5486	O-ring
87	143 5492	Al nut
88 •	145 8116	Air piston complete
89 •	143 6226	Piston seal
90 •	143 6235	Guide ring
91 •	143 5834	O-ring
92	143 5635	Airez® rod seal
93	144 6082	Snap ring
94	143 5839	O-ring
95	145 8114	Cylinder
96	143 5761	Bottom
97	143 6362	Hanger
98	144 6201	Cylinder head screw
99	143 6376	Hanger
100	144 6087	Fillister head screw
101	144 6208	Hexagon head screw
102	163 1250	Grip
103	144 5262	Nut
104	144 5342	Screw
105	144 5584	Tube*
106	144 5586	Screw connection
107	163 1253	Valve complete
108	144 5804	Washer
109	143 5639	O-ring
110	163 1252	Valve seat
111	143 6379	Spring
112	163 1251	Valve
	144 5294	Hydraulic oil refill bottle, 100 ml

• Wearing parts


* The length required must always be specified on the order; the article numbers always refers to the price per metre.



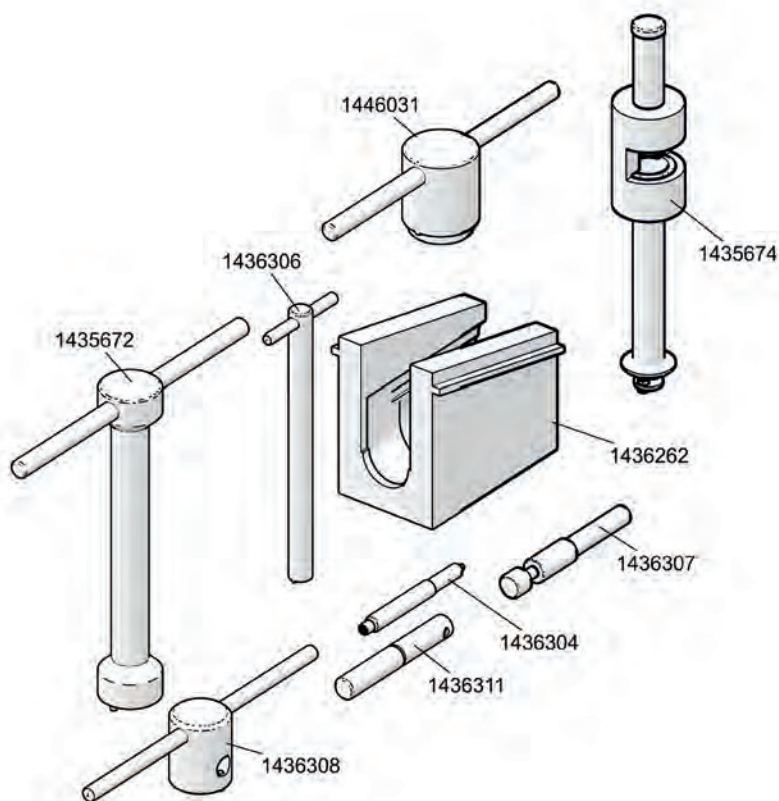
You will find detailed nosepiece allocation tables from page 250.
You will find spare part kits from page 371.

Repair tools for FireFox®

Article no. 145 8130

No.	
143 5672*	Allen key
143 5674*	Slot wrench
143 6262	Insertion tool for seal
143 6304	Extraction tool
143 6306	Allen key for end cap
143 6307	Assembly device
143 6308	Clamp element for FireFox tool head
143 6311	Insertion tool for bit
144 6031*	Turning tool for threaded ring

*These tools are also suitable for TAURUS® 1 - 4



SPARE PART KITS

The spare part kits contain carefully composed sets with exactly the parts that you need for your maintenance or repair.

TAURUS® 1-4

Spare part kit: 145 7720 - Grip seal set for TAURUS® 1-4		
Spare part no.	Article no.	Designation
36	143 5472	Flat gasket 1
42	143 5480	Flat gasket 2
59	143 5486	O-ring

Spare part kit: 145 7721 - Lock activator seal set for TAURUS® 1-4		
Spare part no.	Article no.	Designation
19	143 5632	Piston seal
20	143 5488	Supporting ring
21	143 5485	Piston seal

TAURUS® 2-4

Spare part kit: 145 7853 - Mandrel retainer set for TAURUS® 2-4		
Spare part no.	Article no.	Designation
30	144 6028	Retaining spring
31	143 5664	Retainer
32	143 5663	Adapter
33	143 5842	Lock washer
34	143 5766	Connecting piece nut 2/3

Spare part kit: 145 7723 - Control piston seal set for TAURUS® 2-4		
Spare part no.	Article no.	Designation
51	143 5648	Spacer cage (4x)
52	143 5647	Rod seal (3x)
53	145 7694	Control piston
54	143 5675	Piston seal
55	145 7693	Piston housing
56	143 5688	O-ring (2x)

TAURUS® 1

Spare part kit: 145 7719 - Air piston seal set for TAURUS® 1		
Spare part no.	Article no.	Designation
62	143 5658	Piston seal
63	143 5657	Guide ring 1
64	143 5656	Piston seal
65	143 5660	O-ring
66	143 5659	Rod seal
67	144 6027	Snap ring
68	143 5680	O-ring

Spare part kit: 145 7722 - Control piston seal set for TAURUS® 1		
Spare part no.	Article no.	Designation
51	143 5648	Spacer cage (3x)
52	143 5647	Rod seal (3x)
53	145 7694	Control piston
54	143 5675	Piston seal
55	145 7693	Piston housing
56	143 5688	O-ring (2x)

Spare part kit: 145 7724 - Mandrel retainer set for TAURUS® 1		
Spare part no.	Article no.	Designation
30	144 6028	Retaining spring
31	143 5664	Retainer
32	143 5663	Adapter
33	143 5842	Lock washer
34	143 5849	Connecting piece nut 1

TAURUS® 2

Spare part kit: 145 7852 - Air piston seal set for TAURUS® 2		
Spare part no.	Article no.	Designation
25	143 5635	Rod seal
62	143 5841	Piston seal
63	143 5825	Guide ring 2
64	143 5670	Piston seal
65	143 5834	O-ring
67	144 6082	V-profile ring
68	143 5839	O-ring

SPARE PART KITS

TAURUS® 3

Spare part kit: 145 7924 - Air piston seal set for TAURUS® 3

Spare part no.	Article no.	Designation
25	143 5635	Rod seal
62	143 5841	Piston seal
63	143 5825	Guide ring 2
64	143 5670	Piston seal
65	143 5937	O-ring
67	144 6082	V-profile ring
68	143 5927	O-ring

TAURUS® 4

Spare part kit: 145 8000 - Seal set Air piston TAURUS® 4

Spare part no.	Article no.	Designation
25	143 5635	Rod seal
54	143 5675	Piston seal
62	143 6007	Piston seal
63	143 6006	Guide ring 4
64	143 5937	O-ring
67	144 6082	V-profile ring
68	143 5927	O-ring

PH 1/PH 2

Spare part kit: 145 6778 - K seal set PH1/PH2

Spare part no.	Article no.	Designation
10 •	143 4323	K seal
13 •	143 4324	K seal
15 •	143 4326	K seal

FireFox® 1 F, 2, 2 F

Spare part kit: 145 8202 - Air piston seal set for FireFox® 1F

Spare part no.	Article no.	Designation
87	143 6007	Piston seal
92	143 5680	O-ring
88	143 6006	Guide ring 4
89	143 5660	O-ring
91	144 6027	Snap ring
90	143 5659	Rod seal

Spare part kit: 145 8179 - Distributing valve complete for FireFox® 1 F, 2, 2 F

Spare part no.			Article no.	Designation
FireFox® 1 F	FireFox® 2	FireFox® 2 F		
59	62	60	143 6297	Distributing valve complete
61	64	62	144 5285	Snap ring
60	63	61	145 1053	Stopper complete

Spare part kit: 145 7720 - Grip seal set for FireFox® 1 F, 2, 2 F

Spare part no.			Article no.	Designation
FireFox® 1F	FireFox® 2	FireFox® 2 F		
62	65	63	143 5472	Flat gasket 1
68	71	69	143 5480	Flat gasket 2
84	88	86	143 5486	O-ring

Spare part kit: 145 8180 - Air piston seal set for FireFox® 2 - 2 F

Spare part no.		Article no.	Designation
FireFox® 2	FireFox® 2 F		
91	89	143 6226	Piston seal
96	94	143 5839	O-ring
92	90	143 6235	Guide ring
93	91	143 5834	O-ring
95	93	144 6082	V-profile ring
94	92	143 5635	Airzet Rod seal

SPARE PART KITS

AccuBird®

Spare part kit 160 3642 - Wearing parts set AccuBird®

Article no.	Designation
143 4958	Jaws
143 4959	Jaw Pusher
144 5314	Compression spring

AccuBird® Pro

Spare part kit 160 3644 - Wearing parts set AccuBird® Pro

Article no.	Designation
143 5568	Jaws
143 5448	Jaw Pusher
143 5412	Compression spring

PowerBird®

Spare part kit 160 3643 - Wearing parts set PowerBird®

Article no.	Designation
143 4104	Jaws
143 4861	Jaw Pusher
144 5747	Compression spring

PowerBird® Pro

Spare part kit 160 3645 - Wearing parts set PowerBird® Pro

Article no.	Designation
143 5568	Jaws
143 5384	Jaw Pusher
143 5412	Compression spring

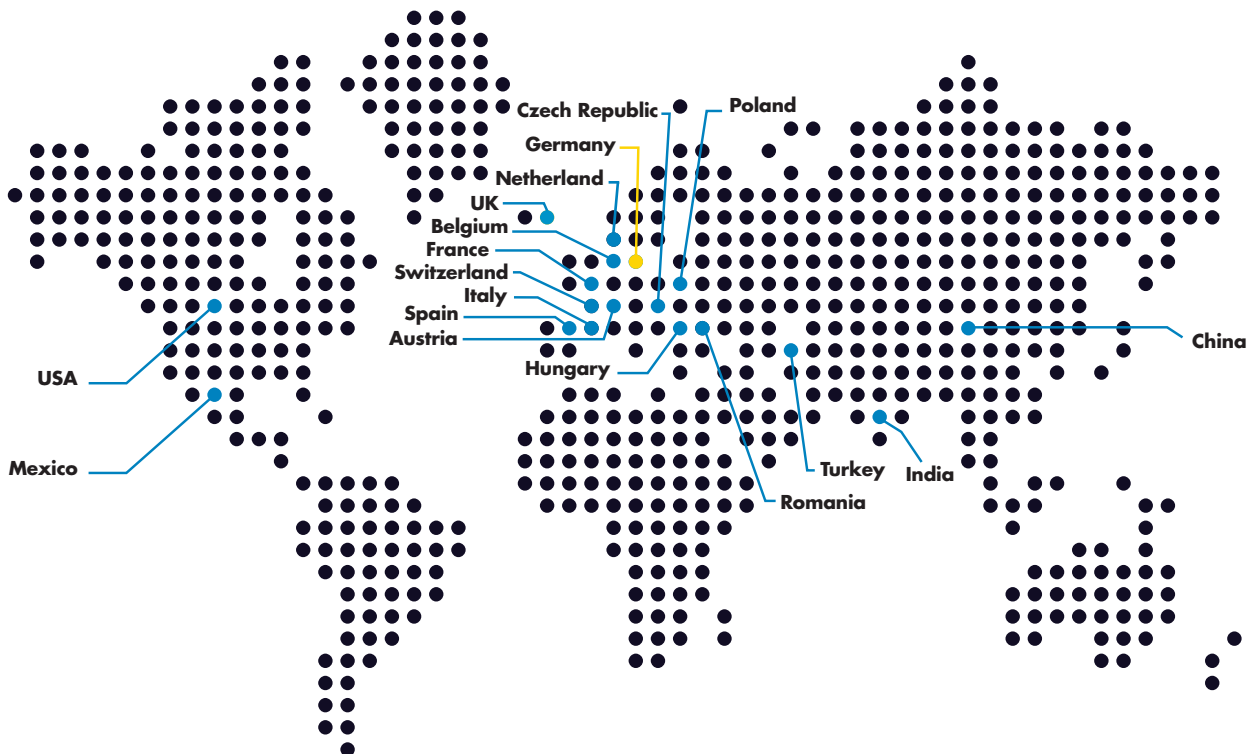
We reserve the right to make changes for the entire catalogue. We do not accept liability for errors or misprints.

The applicable terms and conditions of guarantee shall apply and can be viewed under following link:
www.gesipa.com/agb

Damages resulting from natural wear and tear, overloading, use of unsuitable batteries or inexperienced handling will be excluded from the guarantee. Damages resulting from material or manufacturing faults will be repaired or replaced free of charge. Claims can only be accepted if the complete riveting tool is returned to the distributor or GESIPA®.

NOTES

A series of horizontal dotted lines for writing notes.



PROVEN QUALITY MANAGEMENT



DIN EN ISO 9001
DIN EN ISO 14001
IATF 16949

